



Nextion Enhanced NX4827T043 - Generic 4.3" HMI 480*272 Touch Display for Arduino Raspberry Pi

SKU 104990605

Nextion is a Human Machine Interface(HMI) solution that provides a control and visualization interface between a human and a process, machine, application, or appliance. Nextion is not just a touch display, it has a hardware part and a software part which is well developed for HMI applications.

Key Features

- Nextion TFT resistive touch display
- 4.3" with 480*272 resolution
- Providing HMI function for external device like Arduino board or Raspberry Pi
- Including GUI development software and many API commands for GUI development

Description

Nextion is a Human Machine Interface(HMI) solution that provides a control and visualization interface between a human and a process, machine, application, or appliance. Nextion is not just a touch display, and it has a hardware part and a software part which is well developed for HMI applications.

Nextion(NX4827T043) display is a TFT display with a resolution of 480*272. The touch panel for this display is resistive touch. Nextion has only one serial(TTL) for power supply or connection with peripheral devices like Arduino board or Raspberry Pi. What 's more? Nextion display has an MCU, and its frequency is up to 48MHz. With the help of 16MB flash, 3584Byte RAM, and an SD card socket, this display is embedded with a rich storage for HMI programming.

As for the software part, Nextion has rich resources. [Nextion Editor](#) is a Windows software for GUI development. There are [libraries](#) for serial communication with Arduino boards and Raspberry Pi. Moreover, a mass of API is defined for users in [The Nextion Instruction Set](#). With these resources, I believe you will have an easy experience with this display.

Caution:

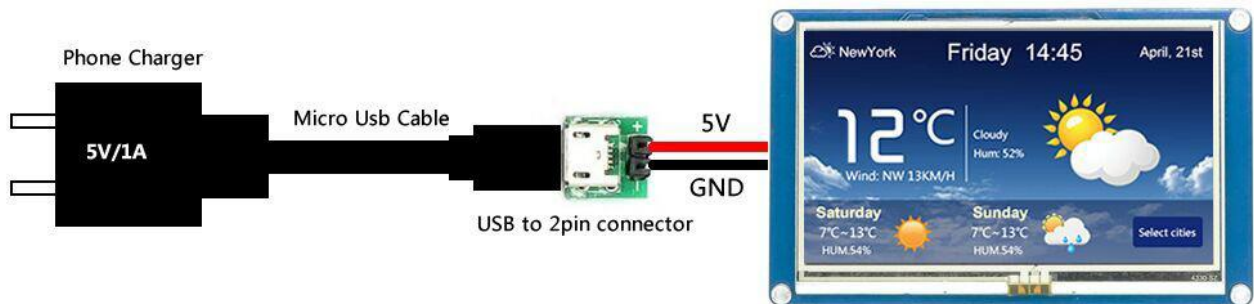
Working under insufficient power supply condition will damage the Nextion model easily.



Blurred screen? Flashing? You may be suffering from power shortages. Power off at the first possible moment. No more repeated attempts to damage your Nextion model.

A small connector is included in the package. Please try to power Nextion with your phone charger through the connector to check if Nextion works well.

A high quality usb cable is required.



Nextion User Manual: <http://goo.gl/LbvAJ5>

TFT with Touch Panel



What's on board?





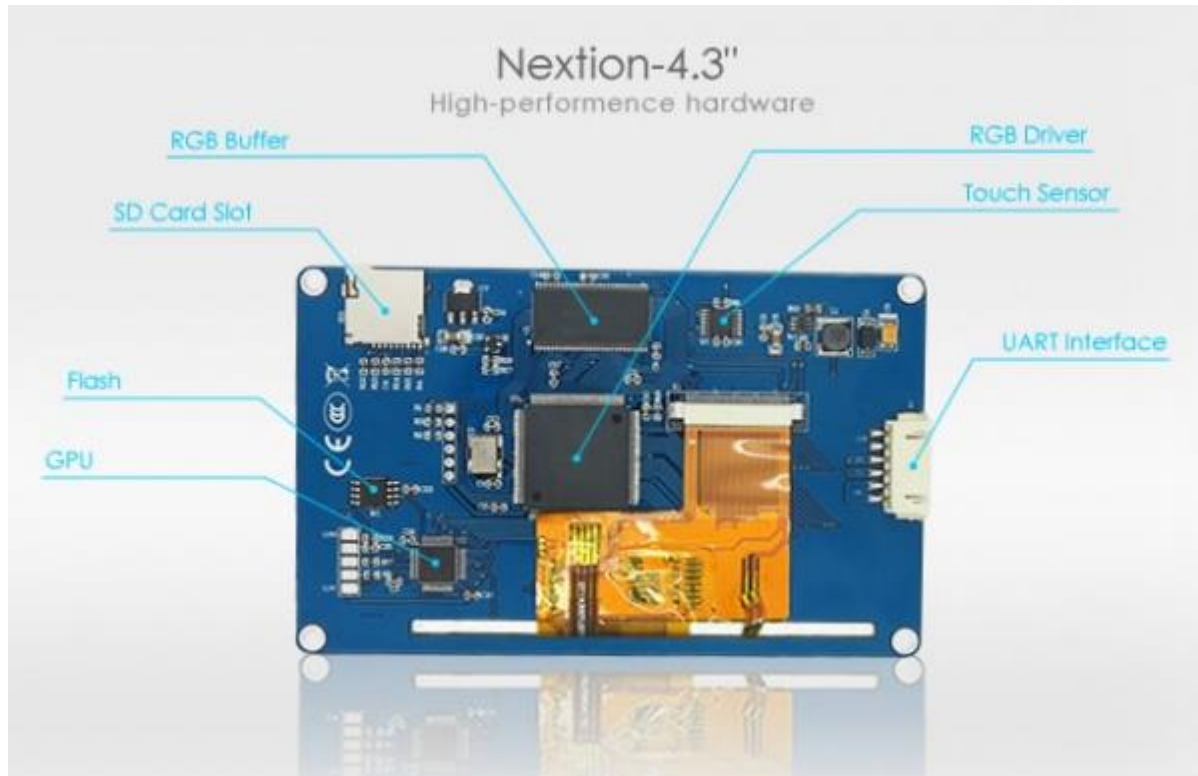
01 WYSIWYG What You See Is What You Get. Just lay the display out with the objects and code is written automatically.

02 ON-line simulator You can design without even a screen in hand. And you can use an external MCU to control the simulate screen as well.

03 FFF Free Full-Function Software. Users can use the Editor freely, full-functions without any charge.



Hardware Overview



Specification

Item	Value
Color	64K 65536 colors
Resolution	480*272 pixel
Touch-type	Resistive
Touches	> 1 million
Backlight	LED
Backlight lifetime (Average)	>30,000 Hours

Operating Voltage	5V
Operating Current	250mA Normal Mode, 15mA Sleeping Mode
Power supply recommend	5V, 500mA, DC
Serial Port Baudrate	2400(Min), 9600(Typical),115200(Max)
Serial Port Mode	TTL
Serial Port	4Pin_2.54mm
USB interface	NO
SD card socket	Yes (FAT32 format), support maximum 32G Micro SD Card
FLASH Memory	16 MB
RAM Memory	3584 Byte

Dimension

[4.3" _Nextion_Dimension](#)

Part List

- Nextion NX4827T043*1
- Power Supply Test Board*1
- XH2.54 4P Wire*1

Related Nextion Display

Type of Display	NX3224T024	NX4024T032	NX4832T035	NX4827T043	NX8048P070-011R	NX1060P101-011C-I
Size	2.4"	3.2"	3.5"	4.3"	7.0"	10.1"
Resolution	320*240	400*240	480*320	480*272	800*480	1024*600
Touch panel	RTP	RTP	RTP	RTP	RTP	CTP
Flash	4MB	4MB	16MB	16MB	128MB	128MB
RAM	3584Byte	3584Byte	3584Byte	3584Byte	512KB	512KB
MCU Frequency	48 MHz	48 MHz	48 MHz	48 MHz	200 MHz	200 MHz
EEPROM	-	-	-	-	1024Byte	1024Byte
GPIOs	-	-	-	-	8	8
RTC	-	-	-	-	Yes	Yes

ECCN/HTS

HSCODE	9013803010
UPC	

