	All rights reserved Department EL PD	All Dimensions in mm Original Size DIN A4		Scale 1:1	Free size tol.	Ref. Sub.
		Created by HELLMANN	Inspected by SCHNIEDER	Standardisation	Date 2021-11-24	State Final Release
HARTING D-32339 Espelkamp		Title Han Ex UL 4A Set			Doc-Key / ECM-Nr. 100670785/UGD/002/D 500000206718	
		Type TB	Number 10 36 104 0001		Rev. D	Page 1/2

1

2

3

4

5

6

FOR USE WITH AWG: 18

FOR USE WITH CABLE TYPE:
PLTC, PLTC-ER, ITC, ITC-ER, MC, MV AND TC

FOR USE IN CLASS I, DIVISION 2 GROUPS A, B, C, AND D
HAZARDOUS LOCATIONS OR UNCLASSIFIED LOCATIONS

A

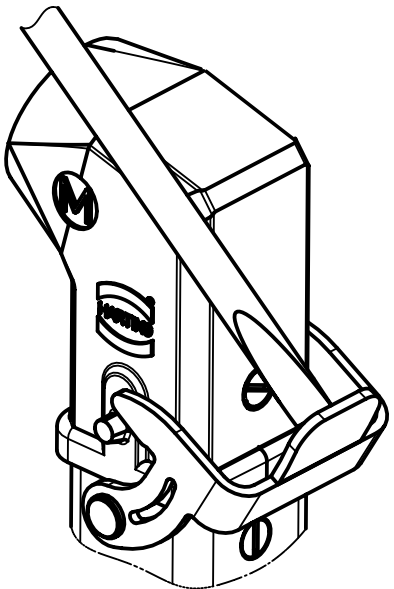
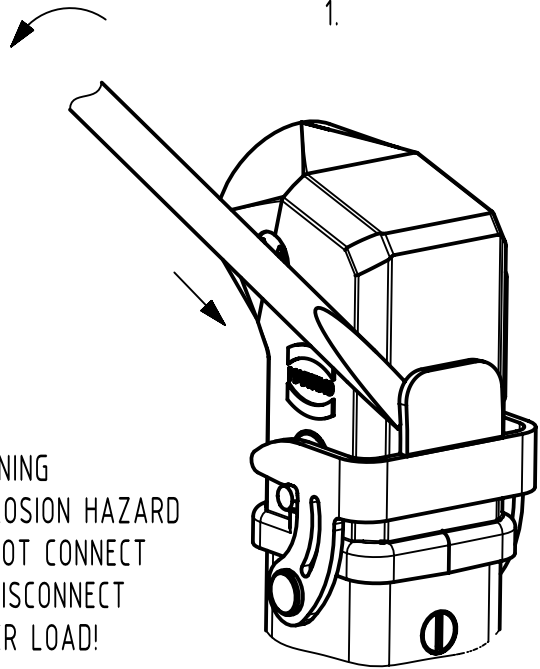
B

C

D

1.

2.



WARNING
EXPLOSION HAZARD
DO NOT CONNECT
OR DISCONNECT
UNDER LOAD!

THE INSTALLATION MUST BE IN
ACCORDANCE WITH THE
ASSOCIATED LOCATION
RESTRICTIONS OF THE NATIONAL
ELECTRIC CODE OR CANADIAN
ELECTRICAL CODE AS
APPLICABLE, INCLUDING ISSUES
SUCH AS THE ROUTING,
SUPPORT AND LENGTH OF THE
INVOLVED CORD OR CABLE.

To separate connectors, insert small flathead tool or screwdriver between metal lever and housing as shown in the diagram. Press screwdriver in a downward direction until the metal lever releases.

To secure the hood and housing assembly together, press the metal levers in the upward direction until metal lever latches into housing pins.