

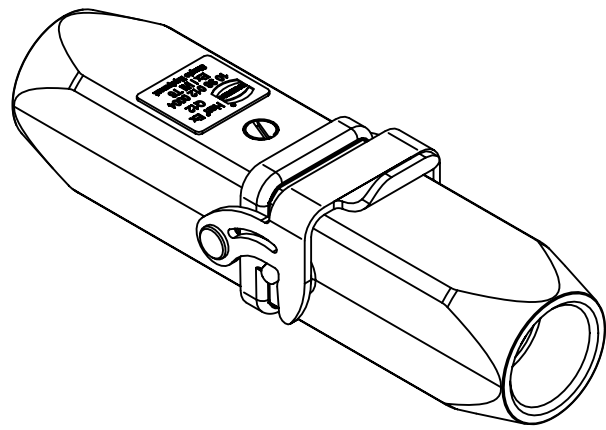
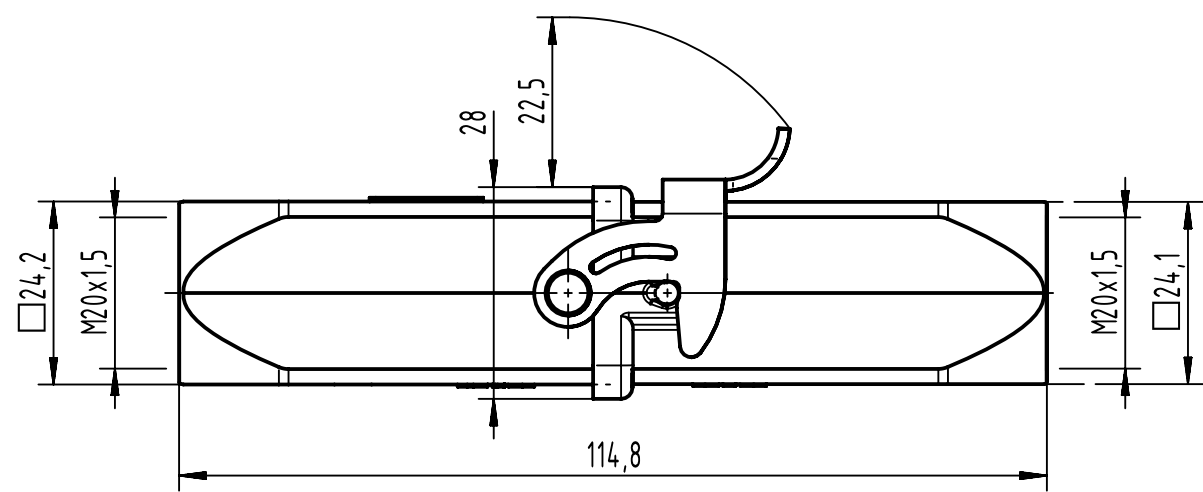
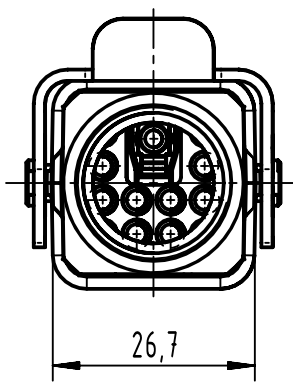
1 2 3 4 5 6


A

B

C

D



	All rights reserved Department EL PD	Created by HELLMANN	Inspected by RIEPE	Standardisation SAP_WFRT	Date 2022-07-05	State Final Release	
		Title Han Ex Q12 Kit HTE/HCC-M20				Doc-Key / ECM-Nr. 100630593/UGD/002/B 500000220394	
HARTING D-32339 Espelkamp		Type TB	Number 10 36 012 0004			Rev. B	Page 1/1