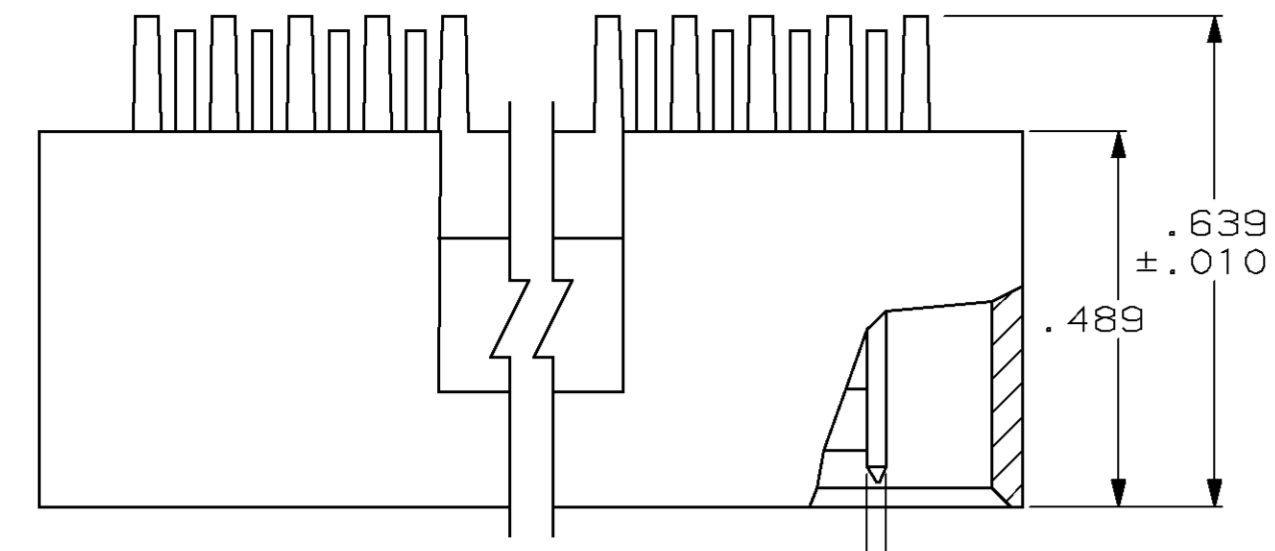
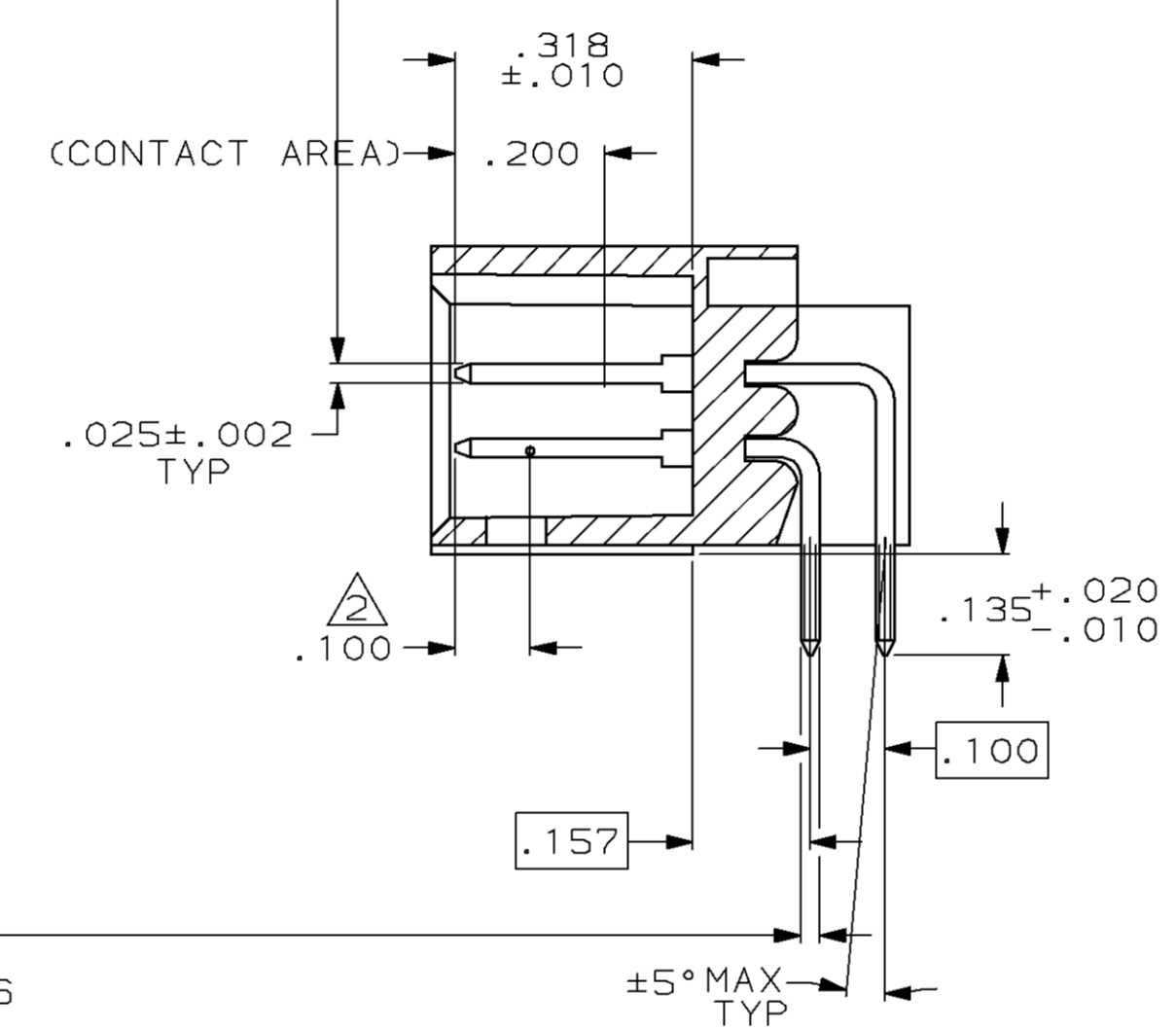
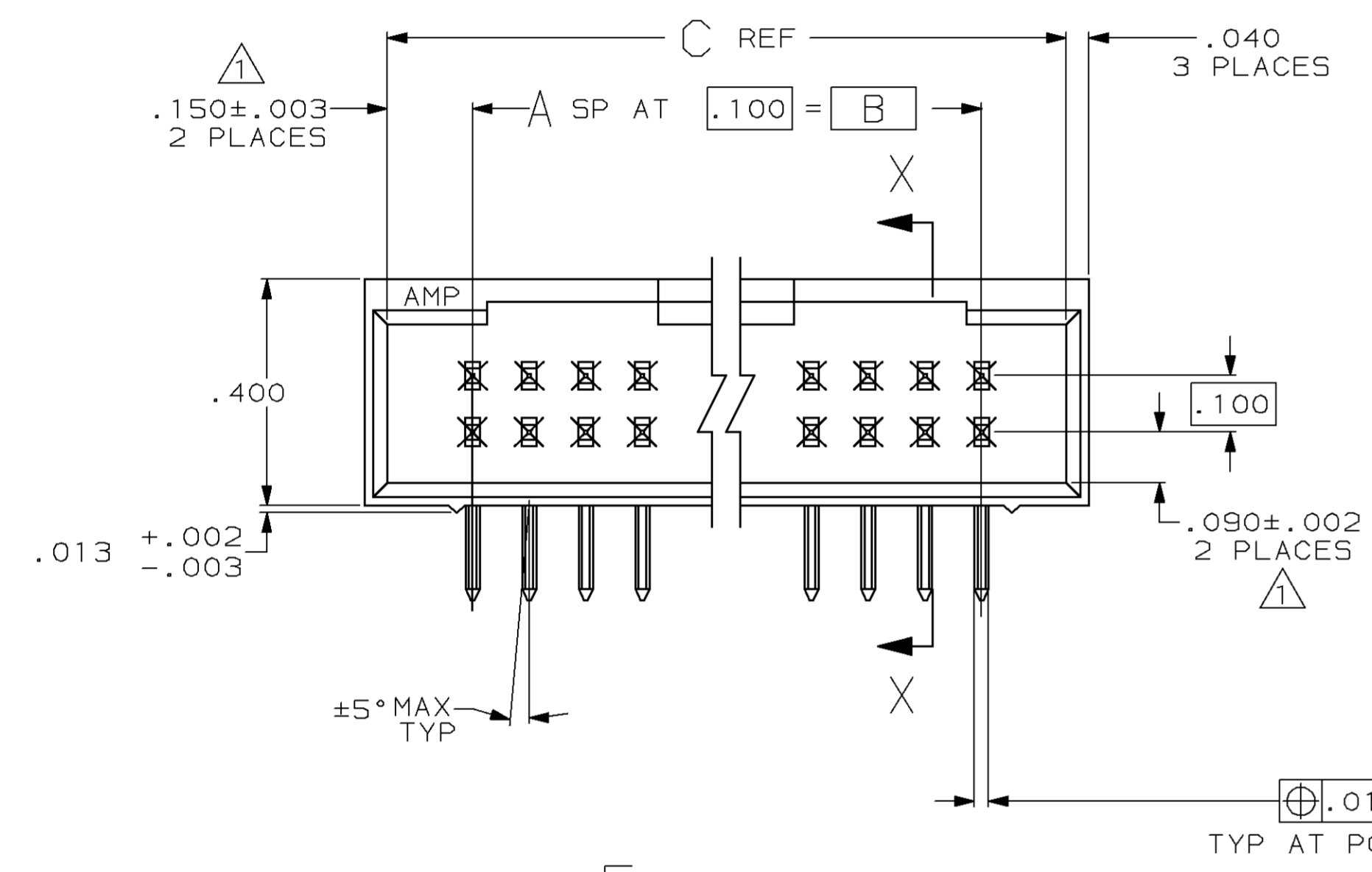


⚠ THE NOTED DIMENSIONS APPLY AT THE INTERSECTION OF THE POST AND HOUSING
 ⚠ POINT OF MEASUREMENT FOR PLATING THICKNESS

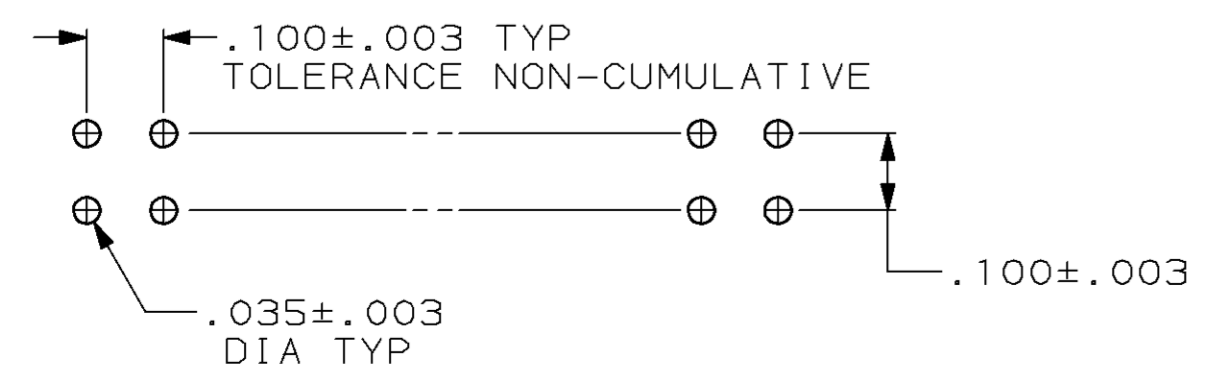
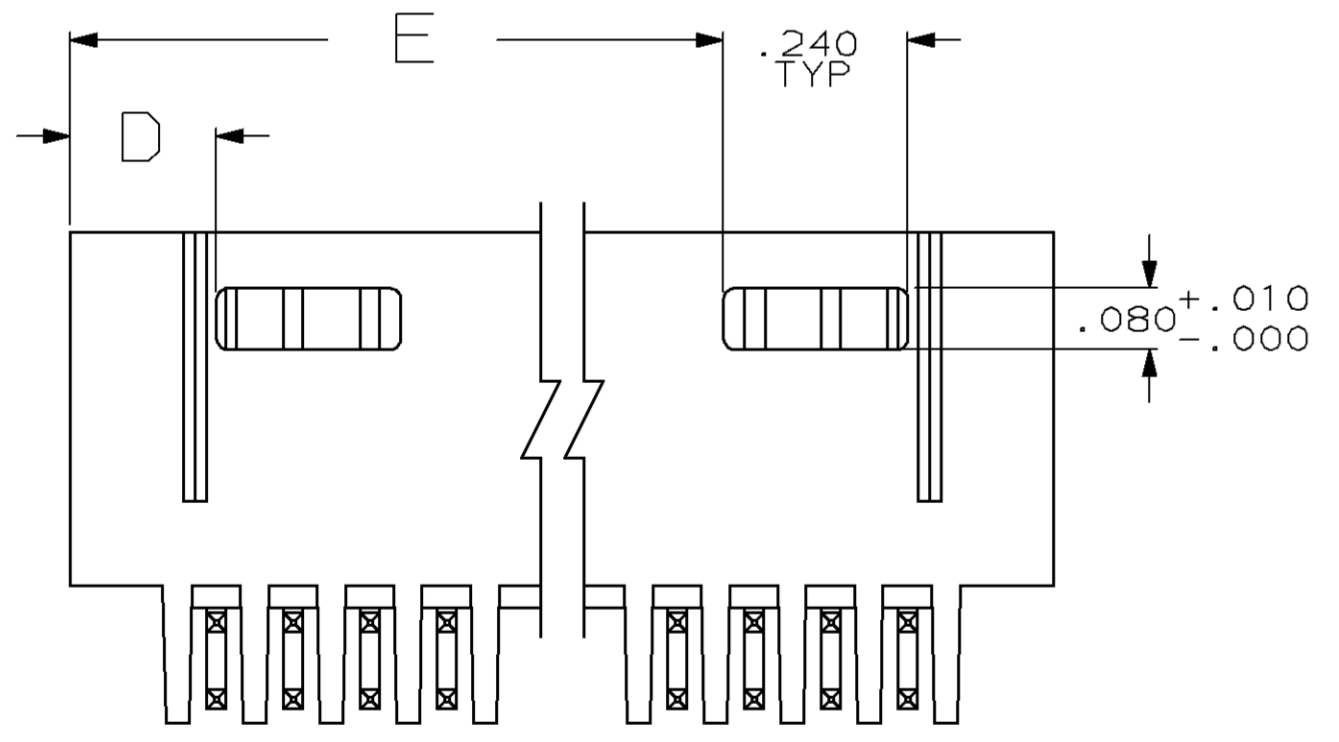
MOD	LOC	DIST	P	F	ZONE	LTR	DESCRIPTION	DATE	APPD
25	AD	39					REV&REDRAWN ECN 1610	-	-
							REV PER AR-2217	BM	-
							REV PER ECN AR2699	10-03-88	KIH
							RE-RELEASE -13 PER PRR#3126	JPG	11-3-89
							REV LOC & DIST AD-4171	3-90	BF
							ECN AD-4707	08/02/90	KIH
							REV PER AD-5084	1-31-91	-
							REV PER 0010-0981-93	TT	10-25-93
							REV PER 0010-0979-94	JK	7-27-94
							REV PER 0010-0577-96		8-7-96
							REV PER 0310-0040-96		12-14-96
							REV PER 0310-0431-97	18JUL98	SAS



.025 ±.001 TYP
 TYP AT POST TIPS



SECTION X-X



RECOMMENDED HOLE LAYOUT

3.490	.190	3.800	3.500	35	72	3-103167-3
3.390	.190	3.700	3.400	34	70	3-103167-2
3.290	.190	3.600	3.300	33	68	3-103167-1
3.190	.190	3.500	3.200	32	66	3-103167-0
3.090	.190	3.400	3.100	31	64	2-103167-9
2.990	.190	3.300	3.000	30	62	2-103167-8
2.890	.190	3.200	2.900	29	60	2-103167-7
2.790	.190	3.100	2.800	28	58	2-103167-6
2.690	.190	3.000	2.700	27	56	2-103167-5
2.590	.190	2.900	2.600	26	54	2-103167-4
2.490	.190	2.800	2.500	25	52	2-103167-3
2.390	.190	2.700	2.400	24	50	2-103167-2
2.290	.190	2.600	2.300	23	48	2-103167-1
2.190	.190	2.500	2.200	22	46	2-103167-0
2.090	.190	2.400	2.100	21	44	1-103167-9
1.990	.190	2.300	2.000	20	42	1-103167-8
1.890	.190	2.200	1.900	19	40	1-103167-7
1.790	.190	2.100	1.800	18	38	1-103167-6
1.690	.190	2.000	1.700	17	36	1-103167-5
1.590	.190	1.900	1.600	16	34	1-103167-4
1.490	.190	1.800	1.500	15	32	1-103167-3
1.390	.190	1.700	1.400	14	30	1-103167-2
1.290	.190	1.600	1.300	13	28	1-103167-1
1.190	.190	1.500	1.200	12	26	1-103167-0
1.090	.190	1.400	1.100	11	24	103167-9
.990	.190	1.300	1.000	10	22	103167-8
.890	.190	1.200	.900	9	20	103167-7
.790	.190	1.100	.800	8	18	103167-6
.690	.190	1.000	.700	7	16	103167-5
.590	.190	.900	.600	6	14	103167-4
.490	.190	.800	.500	5	12	103167-3
.390	.190	.700	.400	4	10	103167-2
.290	.190	.600	.300	3	8	103167-1
E	D	C	B	A	NO OF POSN	ASSEMBLY PART NUMBER

UNLESS OTHERWISE SPECIFIED DIMENSIONS ARE IN INCHES TOLERANCES ON:	DR 7-27-87 H MOLL	AMP INCORPORATED Harrisburg, Pa. 17105
2 PL DEC ±- 3 PL DEC ±.005 ANGLES ±-	CHK 7-29-87 L A MAYER	
MATERIAL: HOUSING: FLAME RETARDANT THERMOPLASTIC, COLOR-BLACK	APPD 7-28-87 R FEIDT	NAME HDR ASSY, MOD II, SHROUDED, 4 SIDES, DBL ROW, .100X.100¢, RIGHT ANGLE, W/ .025 SQ POSTS
POSTS: PHOS BRONZE FINISH: POSTS: .000030 GOLD IN CONTACT AREA, .000100-.000200 MATTE TIN- LEAD ON SOLDER TAIL, ALL OVER .000050 NICKEL	APPD 7-29-87 R ELICKER	PRODUCT SPEC -
	APPLICATION SPEC -	SIZE D
	WEIGHT -	FSCM NO 00779
		DRAWING NO 103167
		SCALE 4:1
		SHEET 1 OF 1