

2

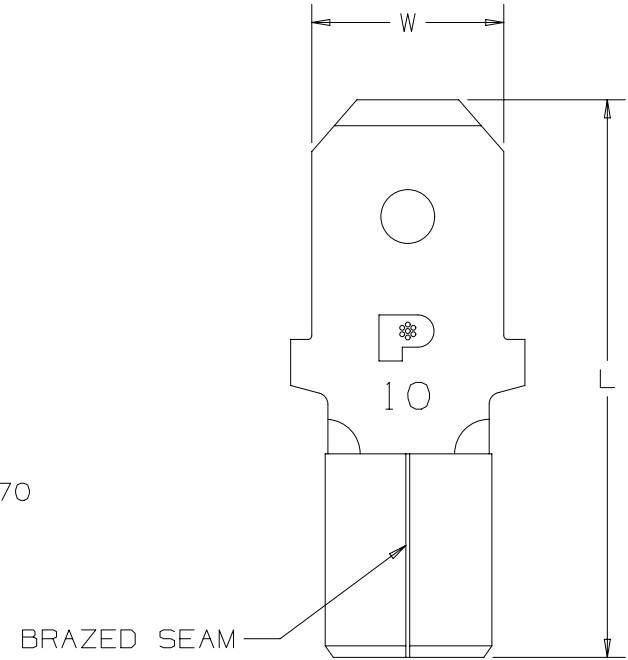
1

THIS COPY IS PROVIDED ON A RESTRICTED BASIS AND IS NOT TO BE USED IN ANY WAY DETRIMENTAL TO THE INTERESTS OF PANDUIT CORP.

PANDUIT PART #	WIRE RANGE AWG [mm ²]	TAB SIZE INCH [mm]	DIMENSIONS in. [mm]	
			L ± .03 [0,8]	W ± .01 [0,3]
ED10-250M	#12-10 [4,0-6,0]	.250 X .032 [6,3 X 0,8]	.72 [18,3]	.25 [6,3]

NOTES:

- USED FOR:
 - STRANDED COPPER WIRE ONLY
 - 302°F [150°C] MAX OPERATING TEMPERATURE
 - 2000V MAX VOLTAGE
- MATERIAL:
 - STAMPING: .032" (.81) THICK NICKEL PLATED COPPER
- INSTALLATION TOOLS: CT-100A, CT-200, CT-260, CT-570, CT-1570
- WIRE STRIP LENGTH: 9/32" ^{+1/32}₋₀ [7,1mm ^{+0,8}₋₀]
- SEE WWW.PANDUIT.COM FOR PACKAGE QUANTITIES INDICATED BY PART NUMBER SUFFIX
- DIMENSIONS IN BRACKETS ARE METRIC EQUIVALENT



B

B



A

A

00	2/18	JHNU	TMR	RGB	RELEASED			00123SH	
REV	DATE	BY	CHK	APR	DESCRIPTION			ECN	

**STRONGHOLD MALE DISCONNECT (250 SERIES)
NON-INSULATED, BRAZED SEAM #12-10 AWG**

CUSTOMER DRAWING

ITEM REVISION NAME: 00123SHW/00

DATASET FILE NAME: 00123SHW/00

UNLESS OTHERWISE SPECIFIED, DIMENSIONAL TOLERANCES ARE: IN [mm]

.x ± .1 [2.54] .xxx ± .005 [.127]
.xx ± .01 [.25] ANGLES ± 5 °

THIRD ANGLE PROJECTION

MATERIAL: SEE NOTES

DRAWING NUMBER: SH41546

DRAWN BY: JHNU DATE: 2/18 CHK: TMR SCALE: NTS

SHT 1 OF 1 SIZE: A

2

1

D10100DA/20