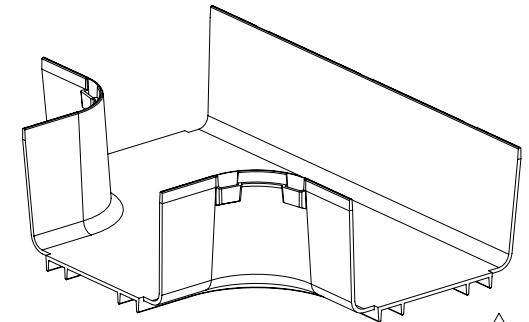
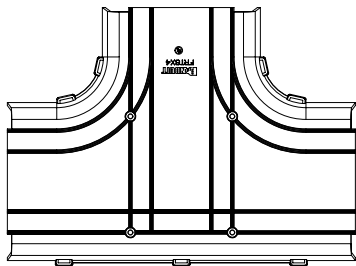
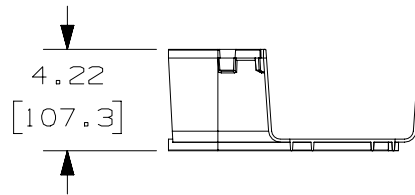
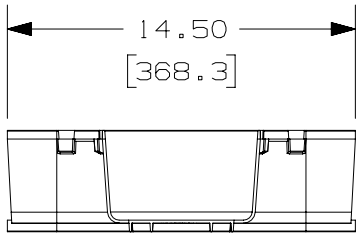
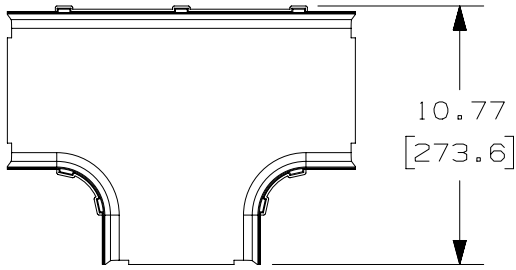


THIS COPY IS PROVIDED ON A RESTRICTED BASIS AND IS NOT TO BE USED IN ANY WAY DETRIMENTAL TO THE INTERESTS OF PANDUIT CORP.



PANDUIT PART NUMBER	WEIGHT
FRT6X4	1.22 LB/EACH (553g/EACH)

NOTES:

1. SEE CURRENT CATALOG FOR ADDITIONAL PART SUFFIXES TO INDICATE COLOR AND/OR PACKAGE QUANTITY.
2. THE FIBERRUNNER 6x4 HORIZONTAL TEE FITTING IS DESIGNED WITH A MINIMUM 2" (50.8) BEND RADIUS TO PROTECT FIBER OPTIC CABLES.
3. DIMENSIONS IN PARENTHESES ARE IN METRIC.

REV	DATE	BY	CHK	APR	DESCRIPTION	ECN
5	02-06-17	SSP	DWR		J. REVISED GEOMETRY TO ADD 4 RIBS & 4 BOSSES WITH HOLES	37185-84
4	05-10-13	JBN	RTFI	RN	I. UPDATED DRAWING BORDER & TITLE BLOCK	37185-84

TITLE		FIBERRUNNER 6X4 HORIZONTAL TEE FITTING FRT6X4	
ITEM REVISION NAME		CUSTOMER DRAWING	
DATASET FILE NAME		D37185DW/10	
MATERIAL:		ABS	
DRAWING NUMBER:		37185-84	
DRAWN BY	DATE	CHK	SCALE
JHNU	05-11-00	SMF	NONE
THIRD ANGLE PROJECTION		SHT 1 OF 1	
SIZE		A	

D10100DA/15