

A

B

C

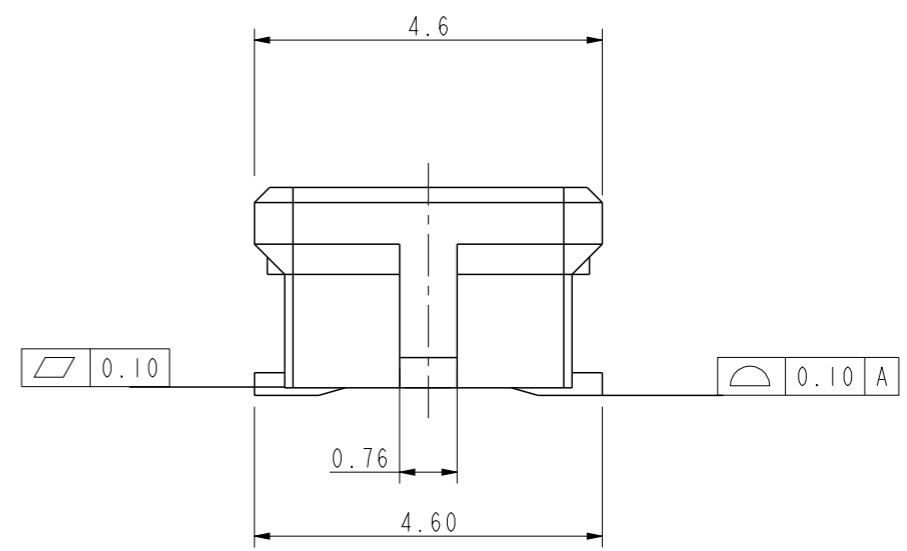
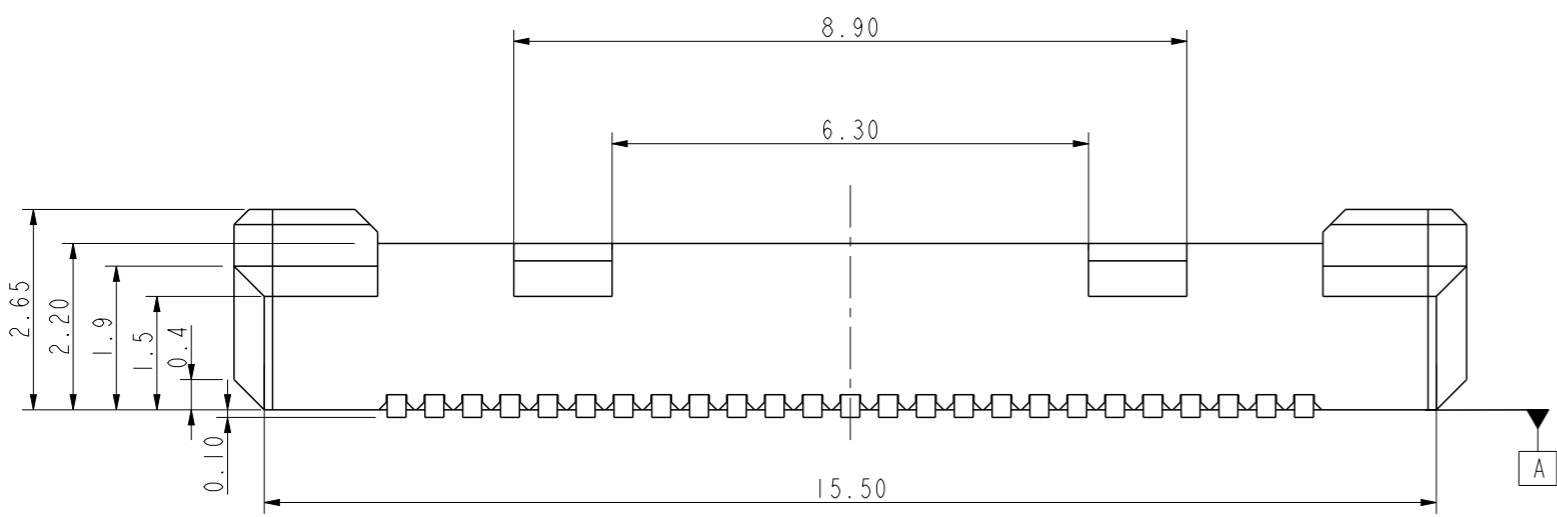
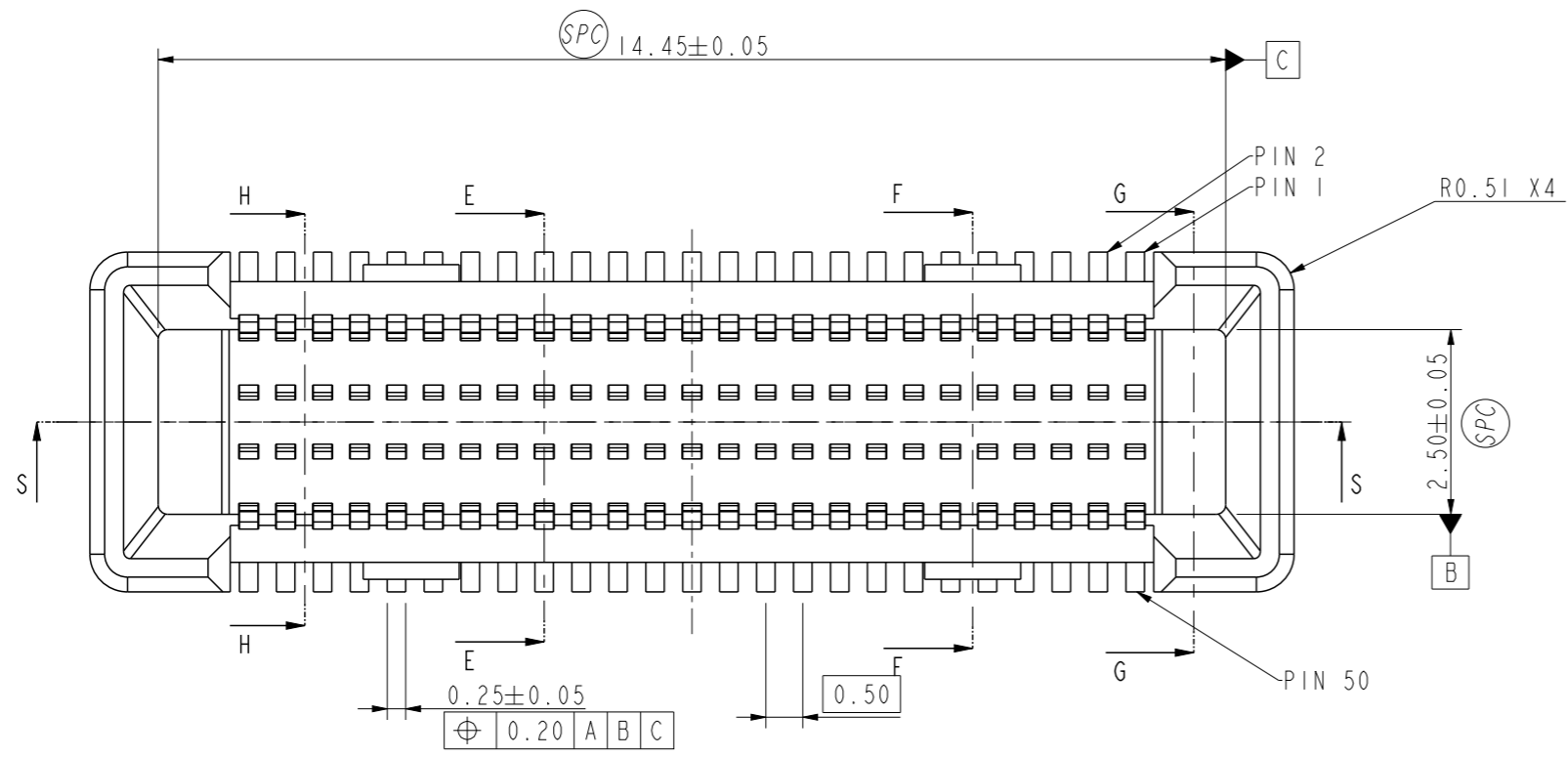
D

A

B

C

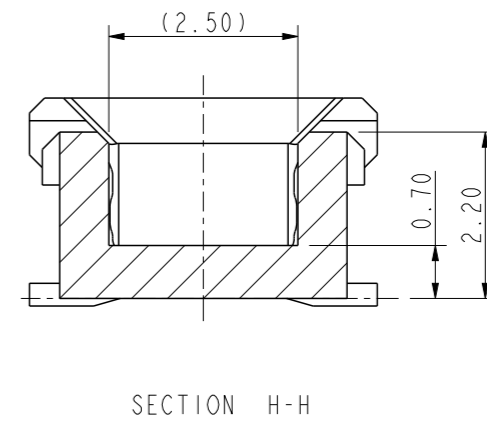
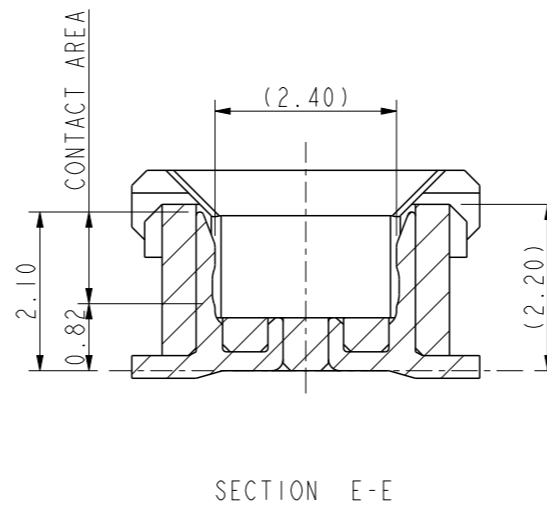
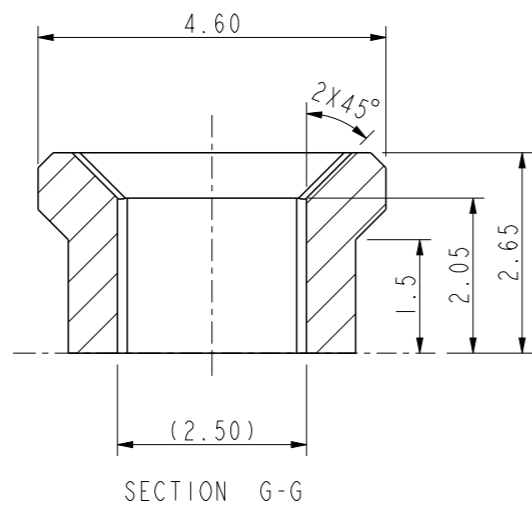
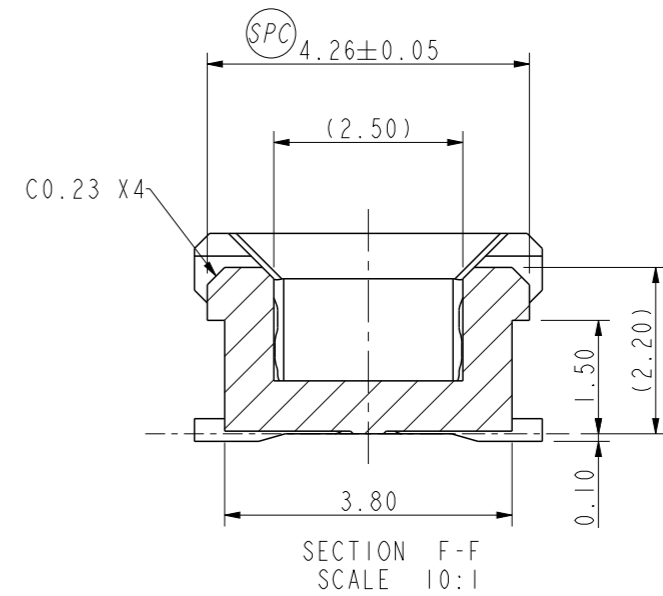
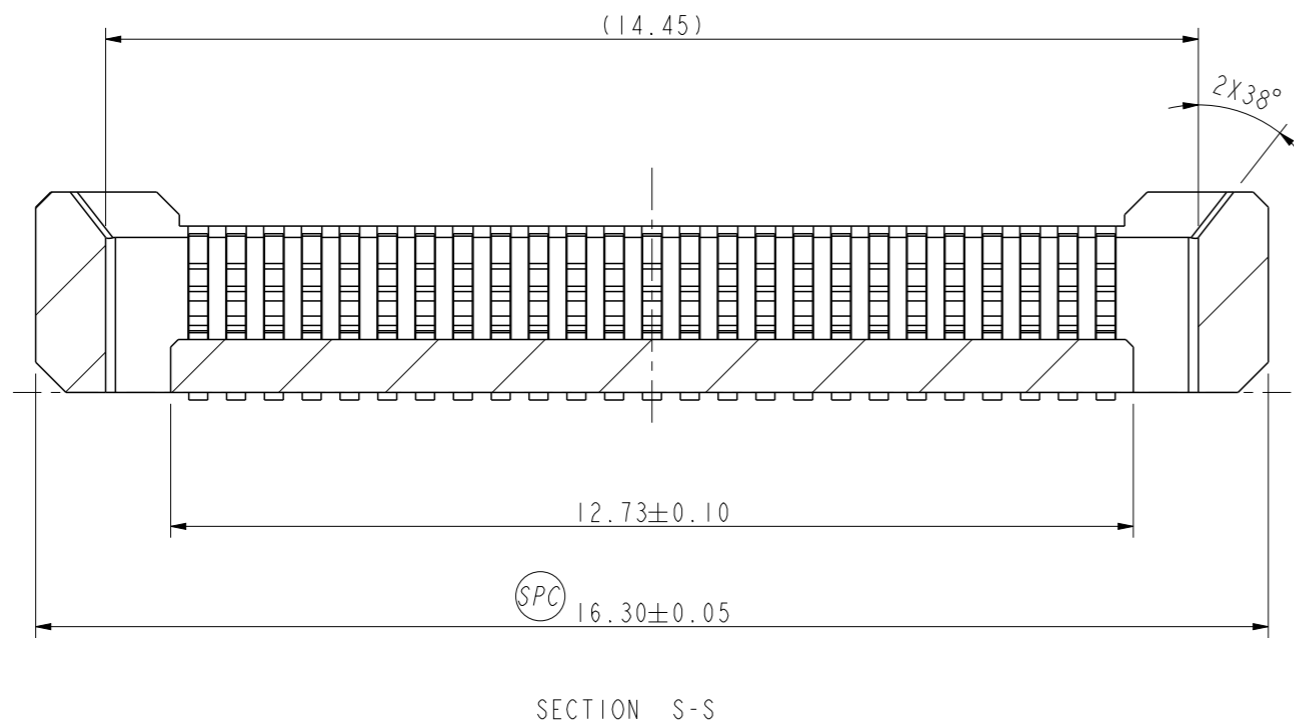
D



Amphenol  
FCi

© 2016 AFCI

spec ref	-	dr	Laurence Zang	2017/07/28	projection	MM	size	A3	scale	1:1
tolerance std	ISO 406 ISO 1101	eng	Laurence Zang	2017/08/24			ecn no	-	rel level <b>Released</b>	
surface		chr	-	-			product family	0.5PITCH BTBT CONN		
ISO 1302		linear	0.X	$\pm 0.30$	Amphenol FCi	REC	dwg no	10144852	rev	A
	angular	0°	$\pm 2^\circ$	cat. no.	Product - Customer Drw	sheet 1 of 3				



dr	Laurence Zang	2017/07/28	projection	MM	size	A3	scale	10:1			
eng	Laurence Zang	2017/08/24			ecn no	-					
chr	-	-	product family	rel level	Released						
appr	Tim Yao	2017/08/24									
Amphenol FCI		title			0.5PITCH BTBT CONN		dwg no		10144852	rev	A
		cat. no.			Product - Customer Drw			sheet 2 of 3			

NOTES:

- HOUSING MATERIAL: HIGH TEMP PLASTIC UL94 V-0 BLACK
- TERMINAL MATERIAL: COPPER ALLOY
- PLATING SEE PRODUCT DESCRIPTION
- PACKING: 24MM WIDTH CARRIER TAPE AND REEL W/O PICK-UP CAP
- PRODUCT SPEC: GS-12-1298
- ⓈPC MARKED ARE SPEC DIMENSION, NEED TO MEET CPK 1.50
- THIS PRODUCT MEETS EUROPEAN UNION DIRECTIVES AND OTHE COUNTRY REGULATIONS AS DESCRIPED IN GS-22-008
- THE HOUSING WILL WITHSTAND EXPOSURE TO 260°C TEMPERATURE FOR 40 SECONDS IN A CONVENCTION OR VAPOR PHASE REFLOW OVEN

10144852-AA B C D E LF

AA	POSITION
05	50

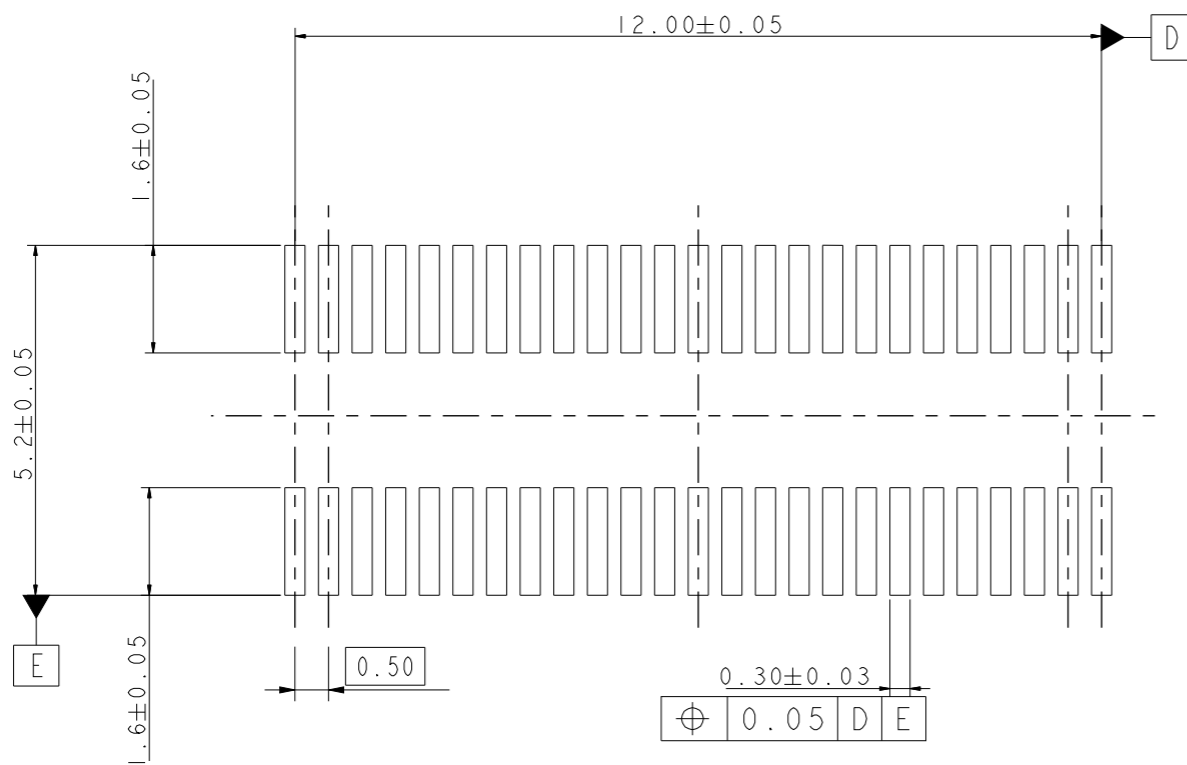
B	DESCRIPTION
I	MATING HEIGHT: 3MM MATING WITH: 10144851-051XXXLF

D	LOCATOR	HOLD DOWN
0	NO	NO

E	PACKAGE
0	TAPE AND REEL W/O CAP

SEE NOTE 4

C	PLATING OPTION ON CONTACT AREA AND SOLDER AREA
I	CONTACT AREA: 2U" MIN. AU PLATING OVER 15U" MIN. PA-NI PLATING SOLDER AREA: 2U" MIN AU PLATING UNDER PLATING: NICKEL PLATING



RECOMMENDED PCB LAY OUT

dr	Laurence Zang	2017/07/28	projection	MM	size	A3	scale	1:1	
eng	Laurence Zang	2017/08/24			ecn no				
chr	-	-			-				
appr	Tim Yao	2017/08/24	product family			rel level			
Amphenol FCI			0.5PITCH BTBT CONN			dwg no		10144852	rev
			REC					A	
cat. no.			Product - Customer Drw			sheet 3 of 3			