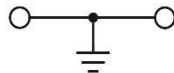
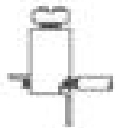


Part number: **10134281-001LF**



Screw ground terminal blocks - yellowgreen  
 Screw connection - 10mm<sup>2</sup> / 6AWG - Width 10 mm



### GENERAL DATA

Item	<b>10134281</b>
Weight/Piece	<b>30.1 g</b>
Colour	<b>YellowGreen</b>
Q.ty p.pck.	<b>50</b>

### TECHNICAL DATA / DIMENSIONS

#### Dimensions

Width mm	10
Length mm	58
Height mm	44
Mounting type (EN 60715)	Omega TH35

#### Technical data

Maximum load current	-
Insulating material	PA
Self-extinguishing degree acc. to UL94	V2
Rated surge voltage	6KV
Pollution degree	3
Surge voltage category	III
Insulating material group	I
Nominal Voltage	-
Nominal Current	-
Temperature index, insulating material – Elec. UL 746 B - RTI	130°C
Static insulating material lower permissible temperature	-60°C

#### Connection data

Conductor cross-section solid min/max	1.5 / 10 mm <sup>2</sup>
Conductor cross-section stranded min/max	1.5 / 10 mm <sup>2</sup>

AWG min/max	20-6 AWG
Max conductor cross-section stranded with ferrule with plastic sleeve	10 mm <sup>2</sup> / L=12 mm
Stripping length	max 13 mm
Screw	M4 – Zinc plated steel
Tightening torque	1.2Nm / 20 Lb-In
Earth Screw	M3.5 – Zinc plated steel
Tightening torque	0.6Nm / 7 Lb-In
Clamp	Zinc plated steel
Metal part	Zinc plated steel

**APPROVALS**

**RINA**

**EN60947-7-2**

10mm<sup>2</sup>

**EN60068-2-11**

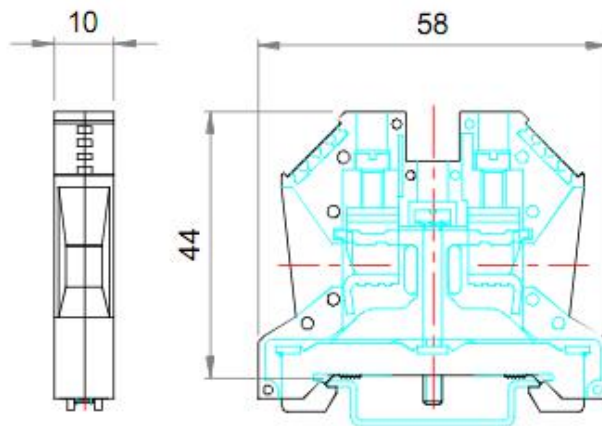
Salt mist test for 96 hours



**UL1059**

AWG 20-6

**TECHNICAL DRAWINGS**



ACCESSORIES

**Marking**

Item	Description
<b>10134398-001LF</b>	Single-digit marking tag (5 x 3 mm) - white
<b>10134398-002LF ~ 10134398-011LF</b>	Single-digit marking tag (5 x 3 mm) – with marking: 0 ~ 9
<b>10134398-012LF ~ 10134398-041LF</b>	Single-digit marking tag (5 x 3 mm) – with marking: A ~ Z
<b>10134401-001LF</b>	Marking tags (6 x 12 mm) - white ( <i>special marking on request</i> )

**DIN RAIL system - Mounting and Installation material**

Item	Description
<b>10134389-001LF</b>	End bracket width 9
<b>10134390-001LF</b>	End bracket width 6
<b>10134391-001LF</b>	Snap-on end bracket width 6