

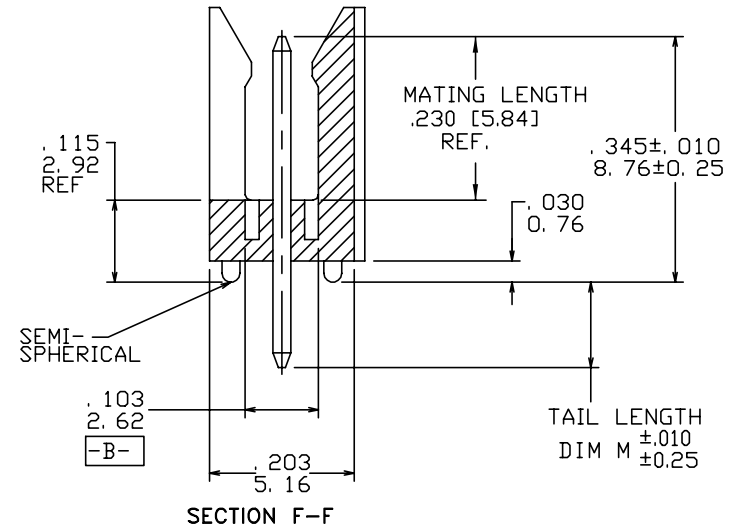
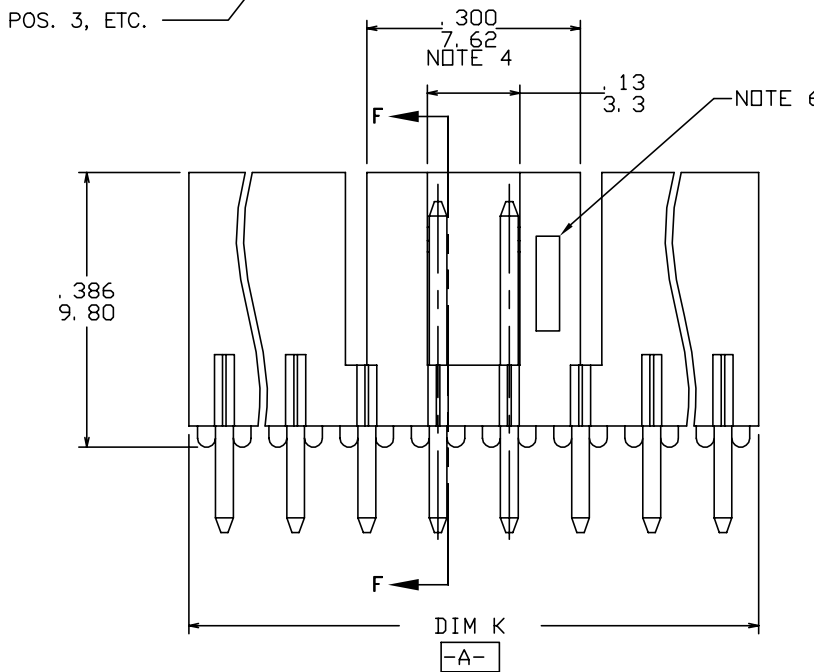
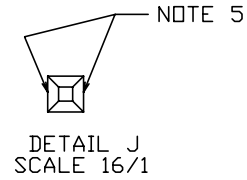
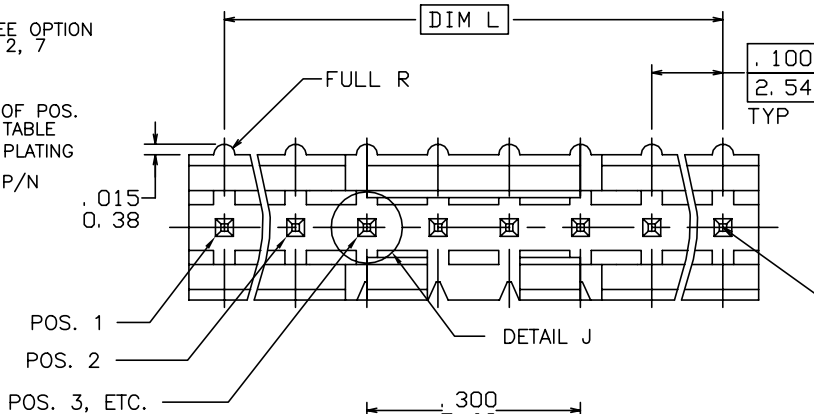
PRODUCT NUMBER
10126113-XYHLF

LEAD FREE OPTION
NOTE 1, 2, 7

NO. OF POS.
SEE TABLE

PIN PLATING

BASE P/N



mat'l. code		surface ISD 1302 ✓		tolerance ISD 406 ISD 1101		projection ⊕		product family HEADER	
ltr ecn nchr date		tolerances unless otherwise specified		title		INCH/MM		FRICITION LATCH HEADER SINGLE ROW VERTICAL	
A	NEW	ZK	06/14/13	angles	linear	scale 4:1		dwg no 10126113 sheet 1 of 2 size A3	
				0°±2'				type Product Customer Drawing	
dr	ZK HU		06/14/13						
enr	ZK HU		06/14/13						
chr	RICK BIAN		06/14/13						
appd	RICK BIAN		06/14/13						
sheet index	revision	A	A						
	sheet	1	2						

PRODUCT NUMBER	NO OF PDS	DIM K	DIM L	TAIL LENGTH DIM M
10126113-X03	1 X 3	.300/7.62	.200/5.08	.120/3.05
10126113-X04	1 X 4	.400/10.16	.300/7.62	.120/3.05
10126113-X05	1 X 5	.500/12.70	.400/10.16	.120/3.05
10126113-X06	1 X 6	.600/15.24	.500/12.70	.120/3.05
10126113-X07	1 X 7	.700/17.78	.600/15.24	.120/3.05
10126113-X08	1 X 8	.800/20.32	.700/17.78	.120/3.05
10126113-X09	1 X 9	.900/22.86	.800/20.32	.120/3.05
10126113-X10	1 X 10	1.000/25.40	.900/22.86	.120/3.05
10126113-X11	1 X 11	1.100/27.94	1.000/25.40	.120/3.05
10126113-X12	1 X 12	1.200/30.48	1.100/27.94	.120/3.05
10126113-X13	1 X 13	1.300/33.02	1.200/30.48	.120/3.05
10126113-X14	1 X 14	1.400/35.56	1.300/33.02	.120/3.05
10126113-X15	1 X 15	1.500/38.10	1.400/35.56	.120/3.05
10126113-X43	1 X 3	.300/7.62	.200/5.08	.190/4.83

PIN PLATING CODES	
XXXX-1YY	30u"/0.76u Au MIN. OVER 50u"/1.27u MIN Ni
XXXX-2YY	15u"/0.38u Au MIN. OVER 50u"/1.27u MIN Ni

NOTES:

- PART NUMBER OPTIONS:
PIN PLATING CODES (SEE ABOVE)
LEAD FREE:
ADD 'HLF' AT THE END OF PART NUMBER FOR LEAD FREE
- BODY MATERIAL:
GLASS REINFORCED PCT COLOR: BLACK
FLAME RETARDANT PER UL 94 V-0
MAXIMUM OPERATING TEMPERATURE: 130° C
OR
MINERAL FILLED LCP, COLOR BLACK
FLAME RETARDANT PER UL 94 V-0

PART NUMBERS WITH 'H' SUFFIX WILL WITHSTAND EXPOSURE TO 260°C PEAK TEMPERATURE FOR 20 SECONDS IN WAVE SOLDER, INFRA-RED OR VAPOR PHASE SOLDER PROCESS.
PART NUMBERS WITHOUT 'H' SUFFIX WILL WITHSTAND EXPOSURE TO 260°C PEAK TEMPERATURE FOR WAVE SOLDER PROCESS.
- PIN MATERIAL: 3/4 HARD PHOS-BRONZE.
- NO SLOTS ON 1 X 5 POSITION OR SMALLER PRODUCT. THE CENTER KEY SLOT WILL BE ON ALL HEADERS REGARDLESS OF SIZE.
- TWO NON-CRITICAL SIDES OF PIN TIP NOT PLATED, BOTH ENDS
- COMPANY LOGO MAY APPEAR IN THIS AREA.
- THESE PRODUCTS MEET EUROPEAN UNION DIRECTIVES AND OTHER COUNTRY REGULATION AS DESCRIBED IN GS-22-008.

mat'l. code		surface ISO 1302 ✓	tolerance ISO 406 ISO 1101	projection 	product family HEADER
ltr	ecnr	ndr	date	tolerances unless otherwise specified	title
A				angles linear 0°±2'	INCH/MM FRICITION LATCH HEADER SINGLE ROW VERTICAL
				dr ZK HU 06/14/13	scale 4:1
				enr ZK HU 06/14/13	FCJ
				chr RICK BIAN 06/14/13	dwg no 10126113
				app RICK BIAN 06/14/13	sheet 2 of 2 size A3
sheet index	revision sheet				type Product Customer Drawing



FCIconnect.com

Copyright FCI