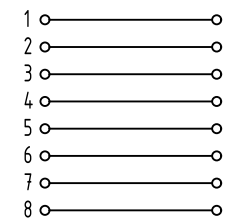
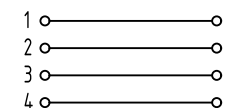


LOADING PLAN

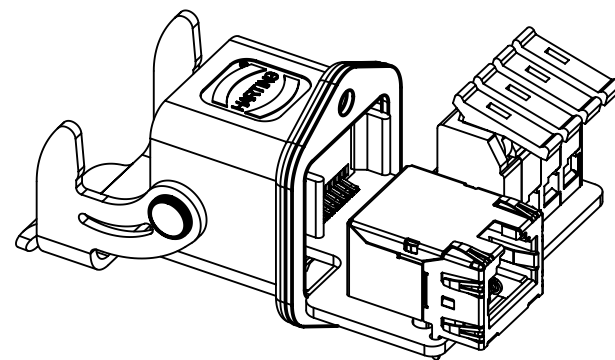
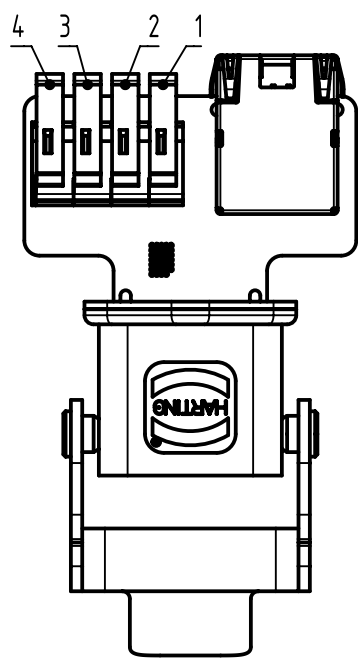
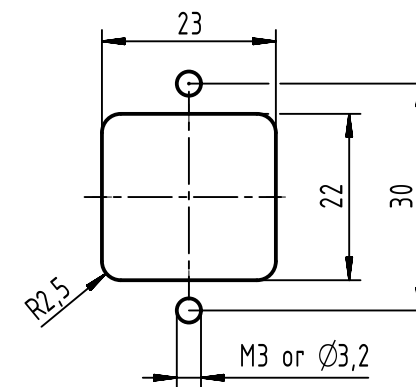
RJ 45



POWER 4x 16A/48V



Recommended panel cut-out



	All rights reserved Department EC PD - RO HARTING Electronics GmbH D-32339 Espelkamp	All Dimensions in mm Original Size DIN A4	Scale 1:1	Free size tol.	Ref. Sub.
		Created by TAMAS	Inspected by AVRAM	Standardisation HOFFMANN	Date 2015-08-13
Title Han3A RJ45 Hybrid Cat5 PFT 8+4p					Doc-Key / ECM-Nr. 100177510/UGD/003/B 500000093167
		Type TB	Number 10120051002		Rev. B
					Page 1/1