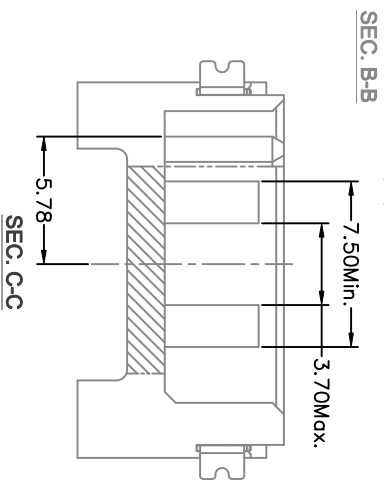
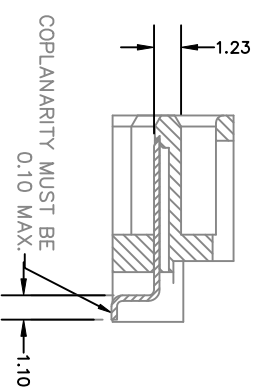
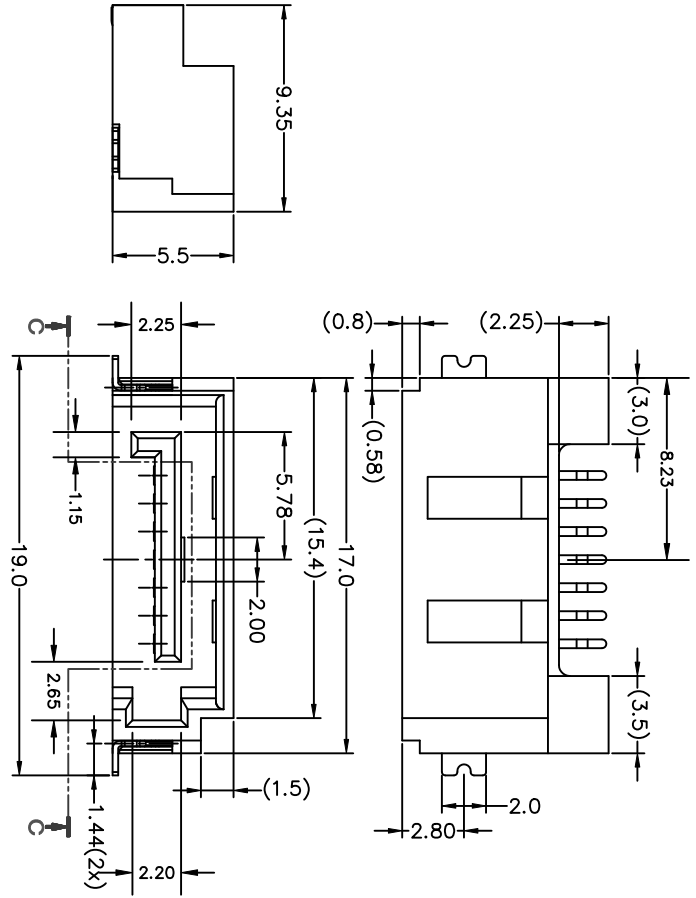
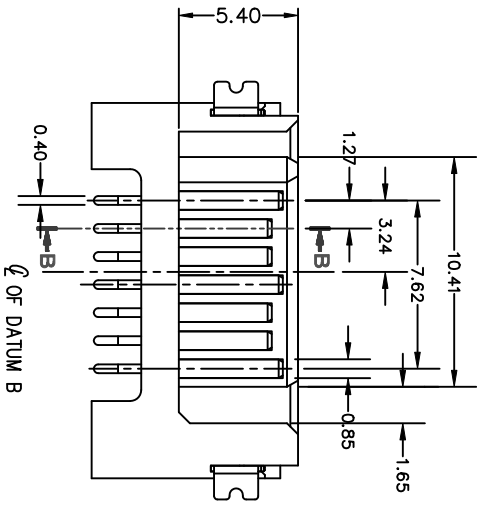


B

A



1 | 2

1 | 2

3 |

4

sheet index		revision sheet		A 1		A 2		3		code code		4	
mat'l code		ecn no		dr		dtdt		tolerances unless otherwise specified		CUSTOMER COPY		FCI	
A		109-1051		S.LIN		04/10/09'		.X ± 0.38 .XX ± 0.25 .XXX ± 0.10		projection		title	
								0° ± 2°		MM		S-ATA SIGNAL PLUG	
								STERLING LIN 04/10/09'		product family		SMT RA TYPE ASSY	
								engr GARY HSIEH 04/10/09'		SATA		code	
								chr JOSEPH HSA 04/10/09'		size		TWN	
								appd		dwg no		sheet	
										10096851		1 of	

B

A

1 | 2

3 |

4

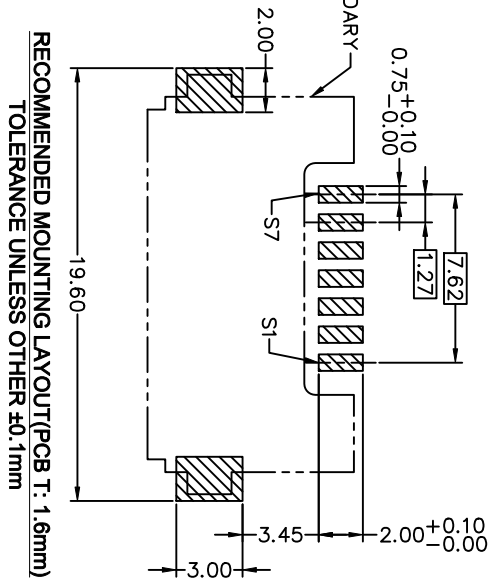
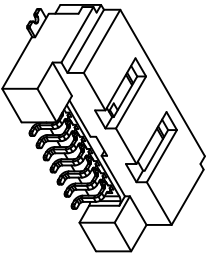
- NOTES :
1. MATERIAL
    - i) HOUSING : HIGH TEMPERATURE THERMOPLASTIC UL94V-0
    - ii) TERMINAL : COPPER ALLOY
    - iii) HOLD DOWN : COPPER ALLOY
  2. FINISH
    - i) TERMINAL : Au PLATING AT CONTACT POINT
    - ii) MATT TIN PLATING 100u" MIN AT SOLDER TAIL WITH NICKEL 50u" MIN UNDERPLATE.
    - iii) HOLD DOWN : MATT TIN PLATING.
  3. THE HOUSING WILL WITHSTAND EXPOSURE TO 260 DEGREE C PEAK TEMPERATURE FOR 10 SECONDS IN A CONVECTION, INFREARED, OR VAPOR PHASE REFLOW OVEN.
  4. Packaging spec. GS-14-840.
  5. Product Spec. GS-12-194.

10096851-0 X X X LF  
LEAD FREE

PRODUCT SPEC: BLANK - SEE NOTE 5

- 1: G/F PLATING AT CONTACT
- 2: 15U" GOLD AT CONTACT
- 3: 30U" GOLD AT CONTACT

0: T & R PACKING WITHOUT PICK UP CAP



1 | 2

AC.A11

3 |

4

mat'l code		tolerances unless otherwise specified		CUSTOMER COPY		FCI		www.fciconnect.com	
ltr	ecn no	dr	ddte	.X ± 0.38	projection	MM	product family	SATA	code
A	T09-1051	S.LIN	04/10/09	.XX ± 0.25	STERLING LIN	04/10/09	size	dwg no	TWN
				.XXX ± 0.10	engr	GARY HSIEH	scale	NA	sheet
				0° ± 2°	chr	JOSEPH HSA	04/10/09		2 of
					appr				
sheet	revision		A						
index	sheet		1						
			2						
code		code		code		code		code	