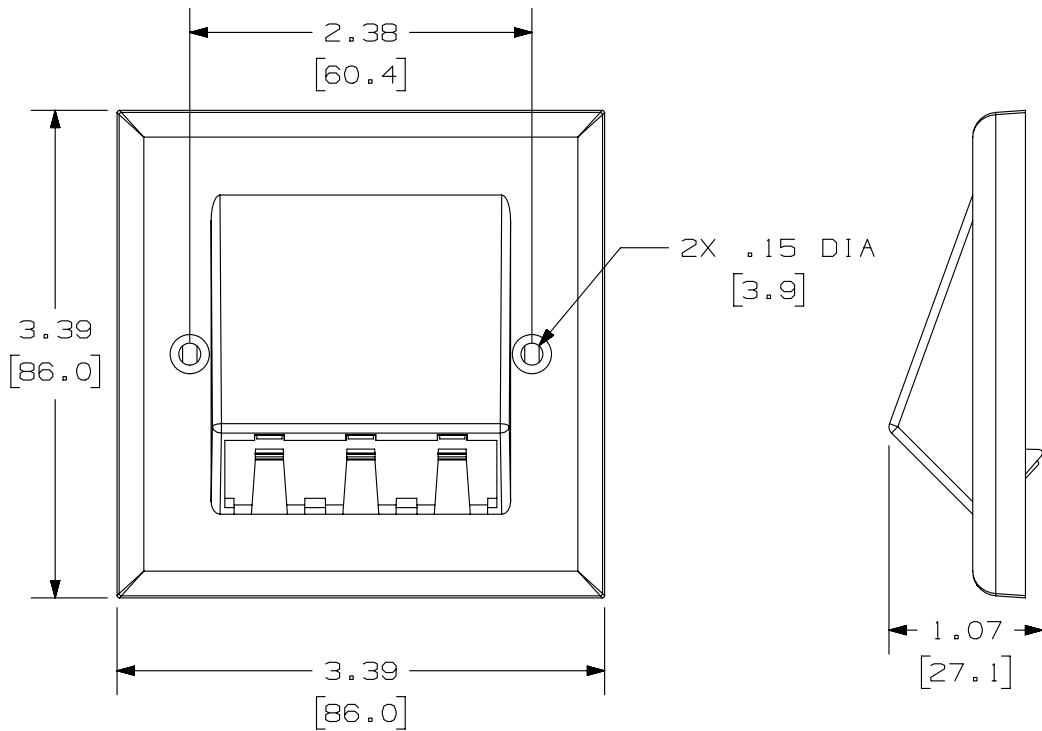


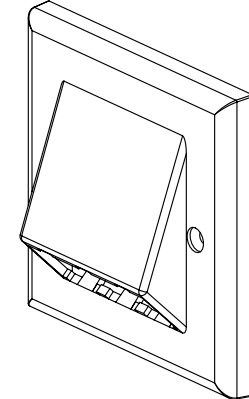
THIS COPY IS PROVIDED ON A RESTRICTED BASIS AND IS NOT TO BE USED IN ANY WAY DETRIMENTAL TO THE INTERESTS OF PANDUIT CORP.

PANDUIT P/N	WEIGHT
CFPUKS3**Y	.62 LB/10 PCS (281.2 g/10 PCS)



NOTES:

- SEE CURRENT CATALOG FOR ADDITIONAL PART NUMBER SUFFIXES TO INDICATE COLOR AND OR PACKAGE QUANTITY.
- SEE CATALOG FOR COMPLETE LIST OF PARTS APPLICABLE FOR USE WITH THIS PART.
- DIMENSIONS IN PARENTHESES ARE IN METRIC.
- PART INCLUDES:
1- FACEPLATE
2- M3.5mm X 30mm MOUNTING SCREW



PART NUMBER		CFPUKS3**Y	
TITLE		MINI-COM 3 POSITION SLOPED 86mm X 86mm U.K. SINGLE GANG FACEPLATE	
		CUSTOMER DRAWING	
ITEM REVISION NAME		M02479FZ/00	
DATASET FILE NAME		M02479FZ_DC158/00B	
UNLESS OTHERWISE SPECIFIED, DIMENSIONAL TOLERANCES ARE: IN [mm]		MATERIAL:	
.x ± .xxx ± .010 [.3]		ABS	
.xx ± .03 [.8]		DRAWING NUMBER:	
THIRD ANGLE PROJECTION		02479-158	
DRAWN BY	DATE	CHK	SCALE
JSP	4-18-06	MJD	NONE
SHT 1 OF 1		SIZE	
A		A	

REV	DATE	BY	CHK	APR	DESCRIPTION	ECN
1	4/22/14	JSP	REFR	MMR	A. REVISED DRAWING TITLE BLOCK.	02479-158
R	4-18-06	JSP	MJD	MJD	RELEASED TO PRODUCTION	02479-158

D10100DA/14