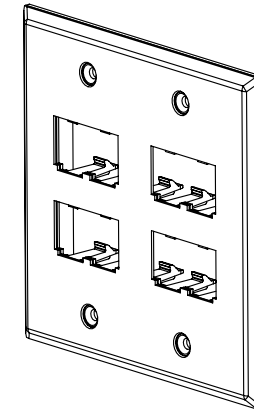
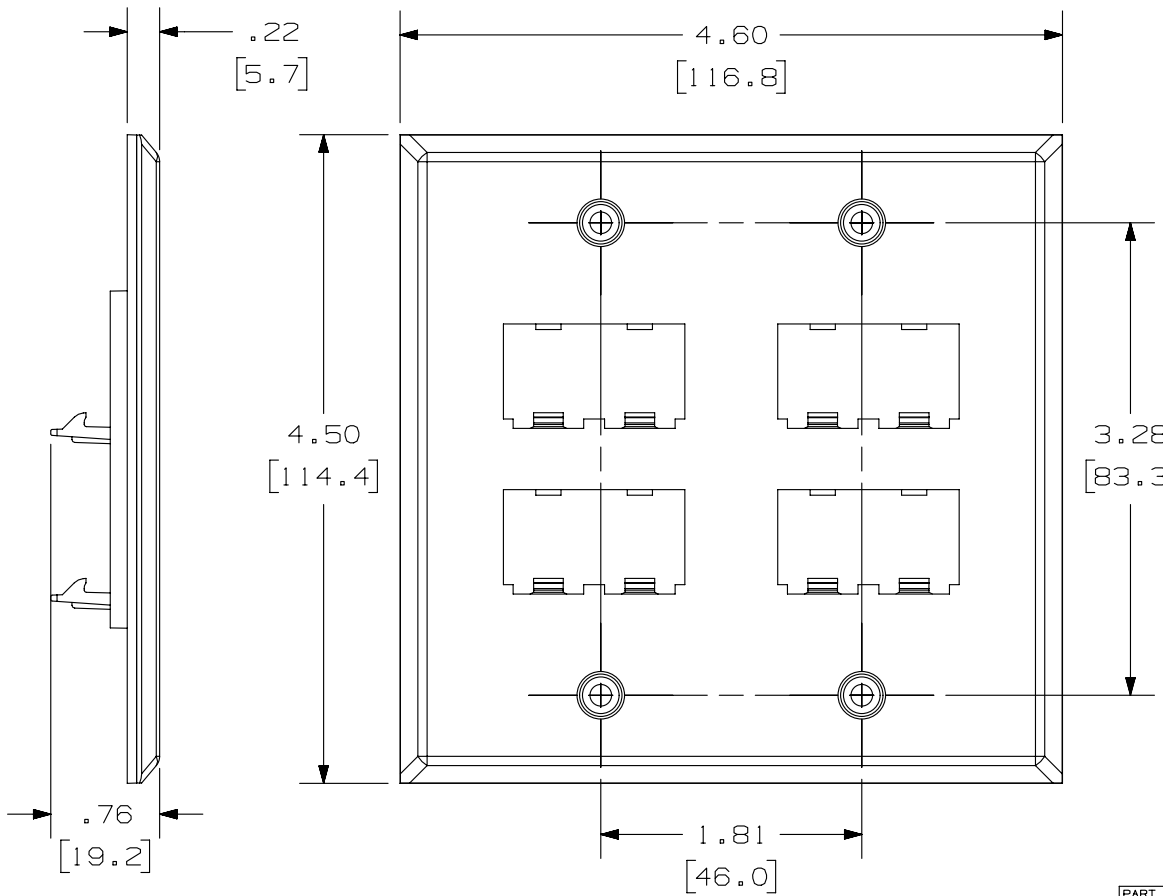


THIS COPY IS PROVIDED ON A RESTRICTED BASIS AND IS NOT TO BE USED IN ANY WAY DETRIMENTAL TO THE INTERESTS OF PANDUIT CORP.

| | |
|-------------|-------------------------------------|
| PANDUIT P/N | WEIGHT |
| CFP8S-2GY | 2.37 LB/10 PCS (1078.0 g/10 PCS) |

NOTES:

- SEE CURRENT CATALOG FOR ADDITIONAL PART NUMBER SUFFIXES TO INDICATE COLOR AND OR PACKAGE QUANTITY.
- SEE CATALOG FOR COMPLETE LIST OF PARTS APPLICABLE FOR USE WITH THIS PART.
- DIMENSIONS IN PARENTHESES ARE IN METRIC.
- MATERIAL:
FACEPLATE-20AWG 430 STAINLESS STEEL
BACKING-ABS
- PART INCLUDES:
1- FACEPLATE
4- #6-32 X 1" MOUNTING SCREW



| | | | |
|--------------------------------------------------------------------|---------|--------------------|-------|
| PART NUMBER | | CFP8S-2GY | |
| TITLE | | | |
| MINI-COM 8 POSITION DOUBLE GANG STAINLESS STEEL FACEPLATE | | | |
| CUSTOMER DRAWING | | | |
| ITEM REVISION NAME | | M02479FG/01 | |
| DATASET FILE NAME | | M02479FG_DC139/01C | |
| UNLESS OTHERWISE SPECIFIED, DIMENSIONAL TOLERANCES ARE: IN (mm) | | MATERIAL: | |
| .x ± .1 [2.54] .xxx ± .005 [.127] | | SEE NOTE 4 | |
| .xx ± .01 [.25] ANGLES ± 5° | | DRAWING NUMBER: | |
| THIRD ANGLE PROJECTION | | 02479-139 | |
| DRAWN BY | DATE | CHK | SCALE |
| MJD | 3-18-06 | MJD | NONE |
| SHT 1 OF 1 | | | SIZE |
| | | | A |

| REV | DATE | BY | CHK | APR | DESCRIPTION | ECN |
|-----|---------|------|------|-----|------------------------------------|-----------|
| 2 | 2-24-14 | MDJR | REFR | MMR | B. UPDATED TITLE BLOCK. | 02479-139 |
| 1 | 7-30-07 | JSP | JCO | JCO | A. FACEPLATE MATERIAL WAS 430 S.S. | 02479-139 |
| R | 3-18-06 | JSP | MJD | MJD | RELEASED TO PRODUCTION | 02479-139 |

D10100DA/14