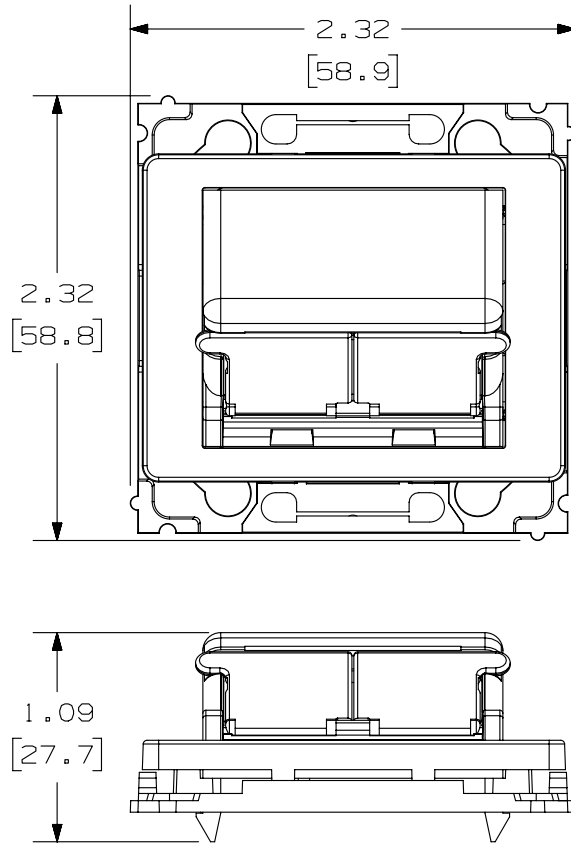


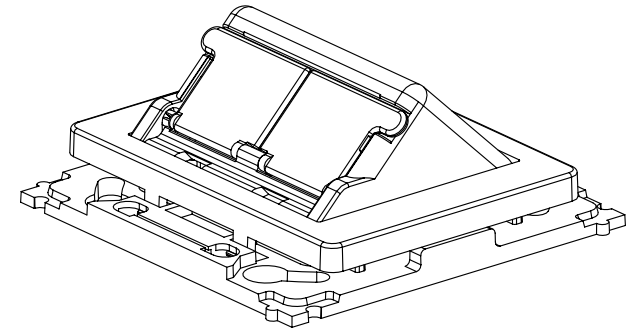
THIS COPY IS PROVIDED ON A RESTRICTED BASIS AND IS NOT TO BE USED IN ANY WAY DETRIMENTAL TO THE INTERESTS OF PANDUIT CORP.



PANDUIT P/N	WEIGHT
CFD66S2S**	.30 LB/10 PCS (136 g/10 PCS)

NOTES:

1. SEE CURRENT CATALOG FOR ADDITIONAL PART NUMBER SUFFIXES TO INDICATE COLOR AND OR PACKAGE QUANTITY.
2. SEE CATALOG FOR COMPLETE LIST OF PARTS APPLICABLE FOR USE WITH THIS PART.
3. DIMENSIONS IN () ARE IN METRIC.
4. PART INCLUDES:
1- OPUS 66™ FACEPLATE ADAPTER/COLLAR
1- COLOR COORDINATED CHS2S**



OPUS 66 IS A TRADEMARK OF LAURITZ KNUDSEN A/S BULLERUE, DENMARK

PART NUMBER		CFD66S2S**	
TITLE			
MINI-COM 2 POSITION SLOPED SHUTTERED OPUS 66™ FACEPLATE ADAPTER KIT			
CUSTOMER DRAWING			
ITEM REVISION NAME		10M183AA/00	
DATASET FILE NAME		10M183AA_DC/00B	
UNLESS OTHERWISE SPECIFIED, DIMENSIONAL TOLERANCES ARE: IN (mm)		MATERIAL:	
.x ± .1 [2.54]		ABS	
.xx ± .01 [.25]		DRAWING NUMBER:	
.xxx ± .005 [.127]		10M183AA-01	
ANGLES ± 5 °		THIRD ANGLE PROJECTION	
DRAWN BY	DATE	CHK	SCALE
JSP	5-6-10	MBVE	NONE
REV	DATE	BY	CHK
1	3/11/14	JSP	REFR
R	5-6-10	JSP	MBVE
APR	DESCRIPTION		ECN
	A. REVISED DRAWING TITLE BLOCK.		10M183AA-01
	RELEASED TO PRODUCTION		10M183AA-01
SHT	1 OF 1		A

REV	DATE	BY	CHK	APR	DESCRIPTION	ECN
1	3/11/14	JSP	REFR	MMR	A. REVISED DRAWING TITLE BLOCK.	10M183AA-01
R	5-6-10	JSP	MBVE	MBVE	RELEASED TO PRODUCTION	10M183AA-01

D101000DA/14