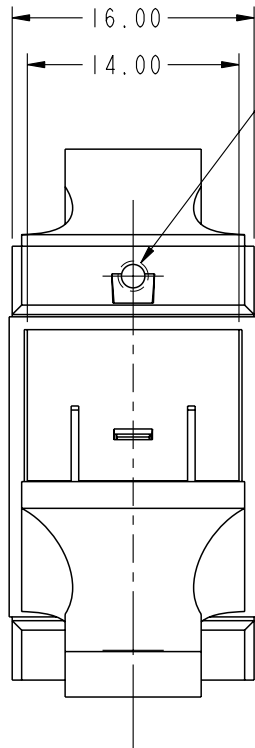


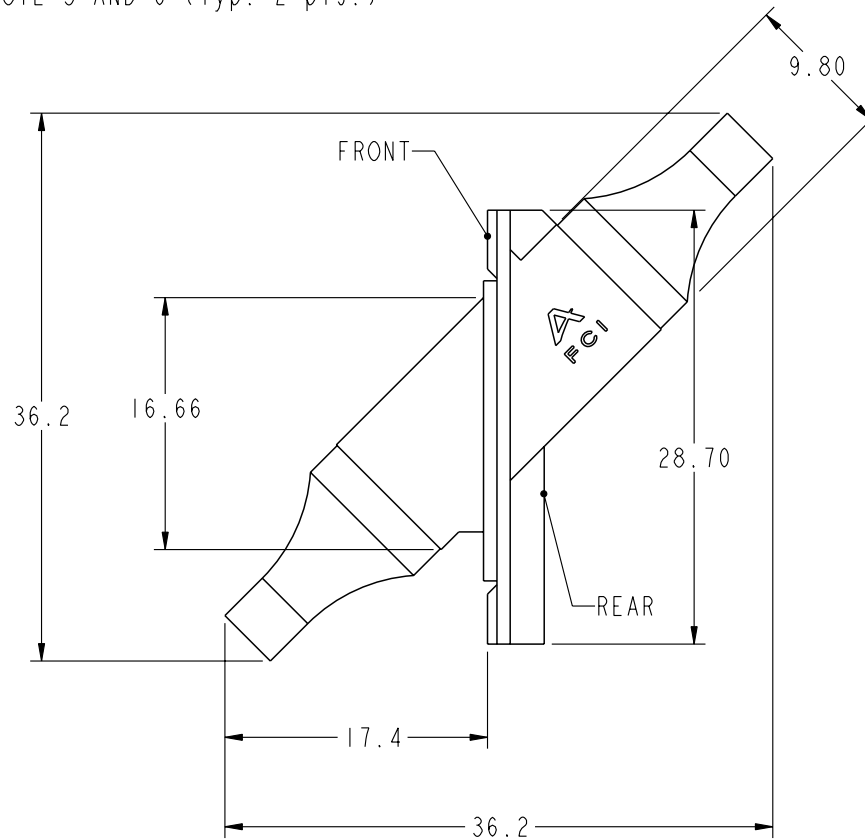


This document is the property of and embodies CONFIDENTIAL and PROPRIETARY information of FCI. No part of the information shown on this document may be used in any way or disclosed to others without the written consent of FCI. Copyright FCI.

PRODUCT NUMBER	STYLE
10009255-001	NO SHUTTER



10009255-001



mat'l code				SEE NOTE 4		tolerances unless otherwise specified		CUSTOMER		FCI www.fciconnect.com	
ltr	ecm no.	dr	date	linear	0.X ±0.3		COPY		title 45° MPO DIE CAST ADAPTER ASSEMBLY		
A	V21443	BKB	9/06/02		0.XX ±0.10		projection				
B	V03-0262	HN	05/20/03	angles	0.XXX ±0.050		MM		product family FIBER OPTICS code		
C	V05-0701	DAI	07/26/05		0° ±2°		←→		size		
D	V06-0182	DAI	2006-05-12	dr	B. BAHN	6/13/02	scale		dwg no		
				enrg	B. TROSTLE	6/13/02	2:1		213		
				chr	B. TROSTLE	6/13/02			sheet		
				appd	D. BUSH	6/13/02			1 of 5		
sheet index	revision sheet	D	D	D	D	D					
		1	2	3	4	5					

cage code 22526

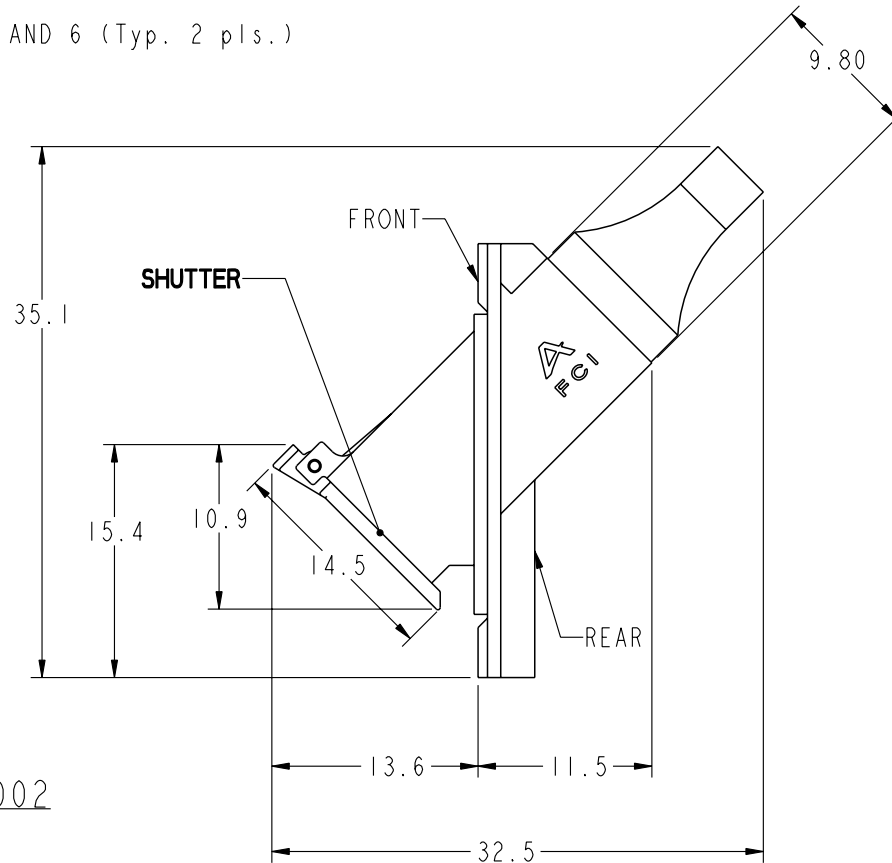
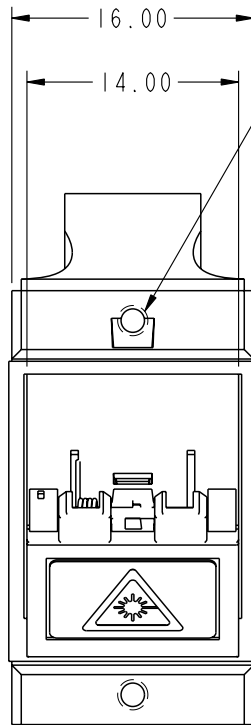
Pro/E

PDM: Rev:D

STATUS: Released

Printed: Nov 03, 2010

PRODUCT NUMBER	STYLE
10009255-002	WITH SHUTTER

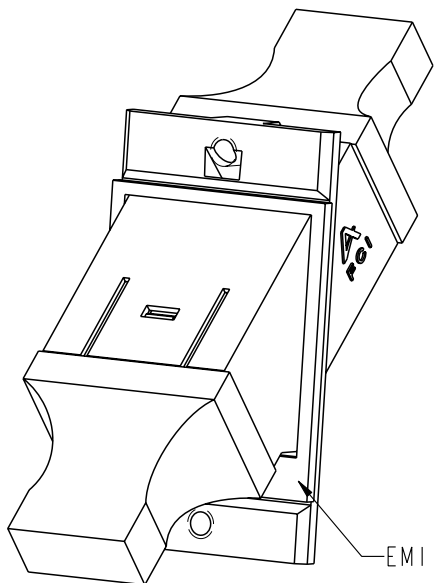


10009255-002

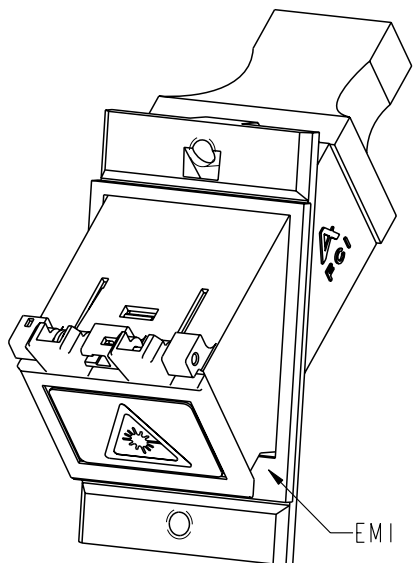
mat'l code		SEE NOTE 4		tolerances unless otherwise specified		CUSTOMER		FCI www.fciconnect.com	
ltr	ecn no.	dr	date	linear	0.X ±0.3	COPY		title	
D					0.XX ±0.10	projection		45° MPO DIE CAST ADAPTER ASSEMBLY	
				angles	0.XXX ±0.050	⊕		product family	
				dr	B. BAHN 6/13/02	MM		FIBER OPTICS	
				engr	B. TROSTLE 6/13/02	← MM →		code	
				chr	B. TROSTLE 6/13/02	scale		213	
				appd	D. BUSH 6/13/02	2:1		sheet	
sheet index		revision sheet						2	

This document is the property of and embodies CONFIDENTIAL and PROPRIETARY information of FCI. No part of the information shown on this document may be used in any way or disclosed to others without the written consent of FCI. Copyright FCI.

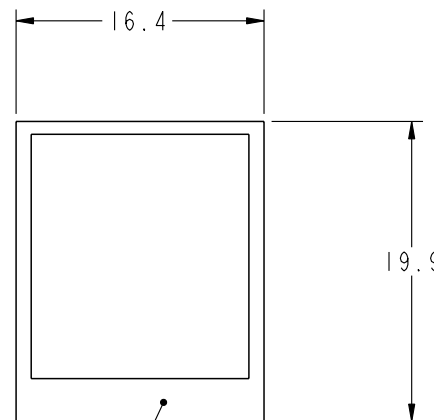
PRODUCT NUMBER	STYLE
10009255-001	NO SHUTTER
10009255-002	WITH SHUTTER




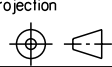
10009255-001



10009255-002

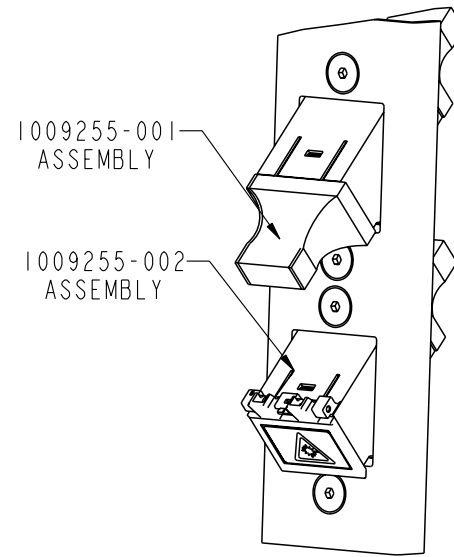
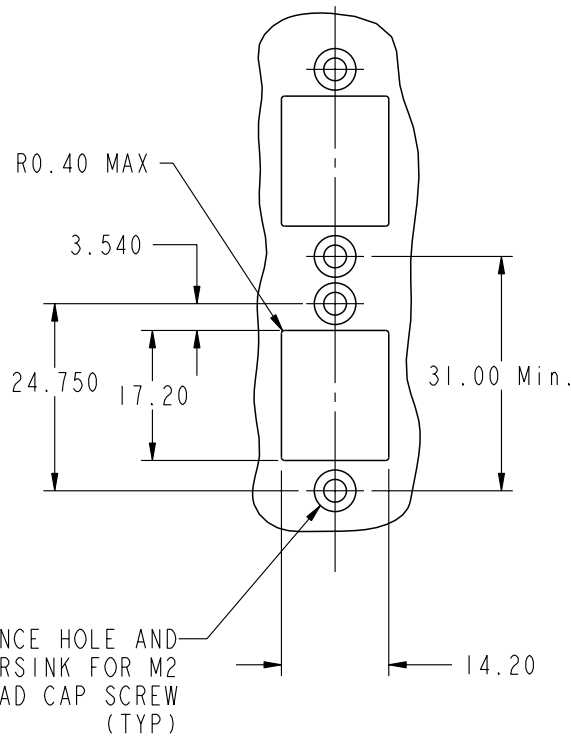


Install with this End to the Bottom Side of Adapter)
EMI GASKET




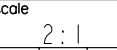
mat'l code				SEE NOTE 4		tolerances unless otherwise specified		CUSTOMER		 www.fciconnect.com	
ltr	ecr no.	dr	date	linear	0.X ±0.3		COPY		 title 45° MPO DIE CAST ADAPTER ASSEMBLY	product family FIBER OPTICS code	
D					0.XX ±0.10		MM			size	dwg no
				angles	0.XXX ±0.050		← MM →		A	10009255	
					0° ±2°		scale			sheet	
				dr	B. BAHN	6/13/02					
				enr	B. TROSTLE	6/13/02					
				chr	B. TROSTLE	6/13/02					
				appd	D. BUSH	6/13/02					
sheet index	revision sheet										

This document is the property of and embodies CONFIDENTIAL and PROPRIETARY information of FCJ. No part of the information shown on this document may be used in any way or disclosed to others without the written consent of FCJ. Copyright FCJ.

PRODUCT NUMBER	STYLE
10009255-001	NO SHUTTER
10009255-002	WITH SHUTTER



PANEL CUTOUT REFERENCE

mat'l code				SEE NOTE 4		tolerances unless otherwise specified		CUSTOMER		 www.fciconnect.com		
ltr	ecr no.	dr	date	linear	0.X ±0.3		COPY		  	title		
D					0.XX ±0.10		45° MPO DIE CAST ADAPTER ASSEMBLY					
					0.XXX ±0.050		product family					
				angles	0° ±2°		MM		FIBER OPTICS		code	
				dr	B. BAHN	6/13/02	2:1		size	213		
				enr	B. TROSTLE	6/13/02	A		dwg no	10009255		
				chr	B. TROSTLE	6/13/02			sheet	4		
				appd	D. BUSH	6/13/02			cage code			
sheet index		revision sheet								22526		

This document is the property of and embodies CONFIDENTIAL and PROPRIETARY information of FCJ. No part of the information shown on this document may be used in any way or disclosed to others without the written consent of FCJ. Copyright FCJ.

PRODUCT NUMBER	STYLE
10009255-001	NO SHUTTER
10009255-002	WITH SHUTTER

NOTES:

1. SEE SHEET 3 FOR EMI GASKET, SEE SHEET 4 FOR PANEL CUTOUT.
2. PARTS SHOWN ASSEMBLED FOR REFERENCE ONLY.
3. THICKNESS OF CUSTOMER SUPPLIED PANEL TO BE 1.2mm ±0 .10.
4. MATERIAL AND PLATING:
 ADAPTER - ZINC DIE CAST
 PLATING - BRIGHT NICKEL
 GASKET - CONDUCTIVE ELASTOMER, UL94 V-0
 SHUTTER - POLYCARBONATE, UL94 V-0
5. REQUIRED MOUNTING HARDWARE:
 M2 X 4mm FLATHEAD CAP SCREW (QTY 2)
6. RECOMMENDED SCREW TORQUE SETTING:
 24ozf-in (NOT TO EXCEED 32ozf-in)
7. LF INDICATES PART NUMBER IS LEAD FREE. LEAD FREE PART NUMBERS MEET EUROPEAN UNION DIRECTIVES AND OTHER COUNTRY REGULATIONS AS DESCRIBED IN GS-22-008.
8. PACKAGE ACCORDING TO GS-14-920 FOR LEAD FREE LABELING SPECIFICATIONS REQUIREMENTS.
9. THIS PRODUCT IS NOT INTENDED TO BE EXPOSED TO MANUFACTURING SOLDER PROCESSES.

A

A



This document is the property of and embodies CONFIDENTIAL and PROPRIETARY information of FCI. No part of the information shown on this document may be used in any way or disclosed to others without the written consent of FCI. Copyright FCI.

B

B

mat'l code				SEE NOTE 4		tolerances unless otherwise specified		CUSTOMER		www.fciconnect.com	
ltr	ecm no.	dr	date	linear	0.X ±0.3		COPY			title	
D					0.XX ±0.10		projection			45° MPO DIE CAST ADAPTER ASSEMBLY	
					0.XXX ±0.050					product family FIBER OPTICS	
				angles	0° ±2°				code		
				dr	B. BAHN	6/13/02	scale		size		
				engr	B. TROSTLE	6/13/02	2:1		dwg no		
				chr	B. TROSTLE	6/13/02	A		10009255		
				appd	D. BUSH	6/13/02			sheet		
sheet index		revision sheet								213	
										5	