

# HMIS65

Small touchscreen display HMI, Harmony SCU,  
3in5 front module Backlight LED Color TFT  
LCD



## Main

Range of Product	Harmony SCU
Product or Component Type	Small touchscreen display HMI
Display size	3.5 inch
Pixel resolution	320 x 240 pixels QVGA

## Complementary

Display type	Backlit LED colour TFT LCD
Touch panel	Analogue
Backlight lifespan	50000 hours 65536 colours
Brightness	16 levels via touch panel
View angle horiz x vert	60° left 60° right 40° top 60° bottom
Character font	Korean Chinese (simplified Chinese) Japanese (ANK, Kanji) ASCII Taiwanese (traditional Chinese)
Width	3.84 in (97.6 mm)
Depth	3.15 in (80 mm)
Net Weight	1.17 lb(US) (0.53 kg)

## Ordering and shipping details

Category	22569-MAGELIS XBT-GT (AND XBT-G)
Discount Schedule	MC2
GTIN	3595864149042
Nbr. of units in pkg.	1
Package weight(Lbs)	10.72 oz (304.0 g)
Returnability	No
Country of origin	CN

## Packing Units

Unit Type of Package 1	PCE
Package 1 Height	5.04 in (12.8 cm)
Package 1 width	2.09 in (5.3 cm)
Package 1 Length	7.20 in (18.3 cm)
Unit Type of Package 2	S03
Number of Units in Package 2	16
Package 2 Weight	11.86 lb(US) (5.379 kg)

Package 2 Height	11.81 in (30 cm)
Package 2 width	11.81 in (30 cm)
Package 2 Length	15.75 in (40 cm)
Unit Type of Package 3	P12
Number of Units in Package 3	256
Package 3 Weight	171.57 lb(US) (77.824 kg)
Package 3 Height	23.62 in (60 cm)
Package 3 width	31.50 in (80 cm)
Package 3 Length	47.24 in (120 cm)

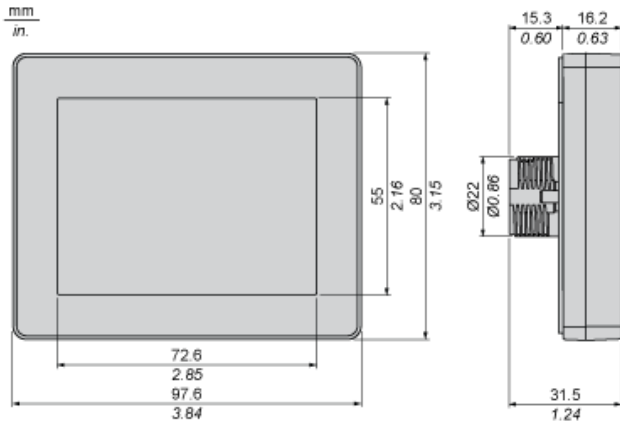
## Offer Sustainability

Sustainable offer status	Green Premium product
California proposition 65	WARNING: This product can expose you to chemicals including: Lead and lead compounds, which is known to the State of California to cause cancer and birth defects or other reproductive harm. For more information go to <a href="http://www.P65Warnings.ca.gov">www.P65Warnings.ca.gov</a>
REACH Regulation	<a href="#">REACH Declaration</a>
EU RoHS Directive	Pro-active compliance (Product out of EU RoHS legal scope) <a href="#">EU RoHS Declaration</a>
Mercury free	Yes
RoHS exemption information	<a href="#">Yes</a>
China RoHS Regulation	<a href="#">China RoHS Declaration</a>
WEEE	The product must be disposed on European Union markets following specific waste collection and never end up in rubbish bins.
Upgradeability	<a href="#">Upgradeable Through Digital Modules And Upgraded Components</a>

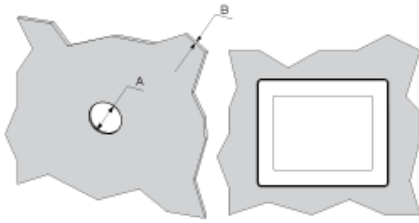
## Contractual warranty

Warranty	18 months
----------	-----------

## Dimensions of 3.5-inches Display Module

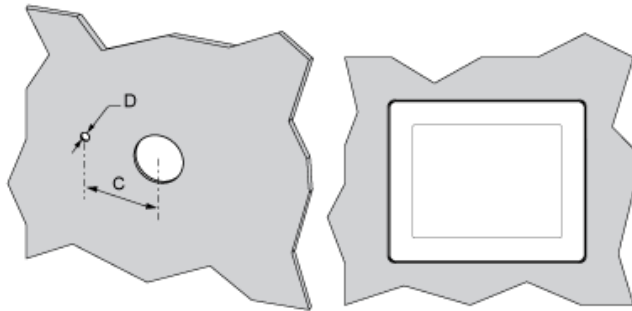


Mounting Without an Anti-Rotation Tee



A	B (1)	B (2)
22.50 <sup>0/-0.30</sup> mm (0.88 <sup>0/-0.01</sup> in.)	1.5...6 mm (0.06...0.23 in.)	3...6 mm (0.11...0.23 in.)

Mounting With an Anti-Rotation Tee



C	D
30 <sup>0/-0.20</sup> mm (1.18 <sup>0/-0.0007</sup> in.)	4 <sup>0/-0.20</sup> mm (0.15 <sup>0/-0.0007</sup> in.)