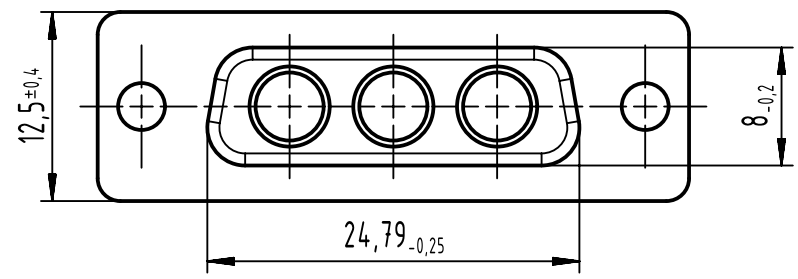
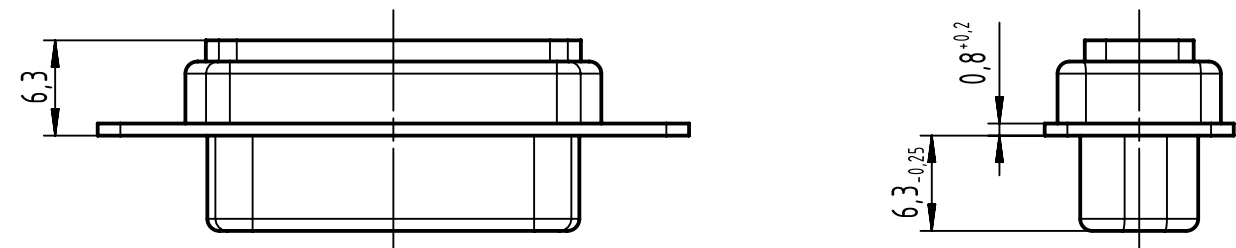


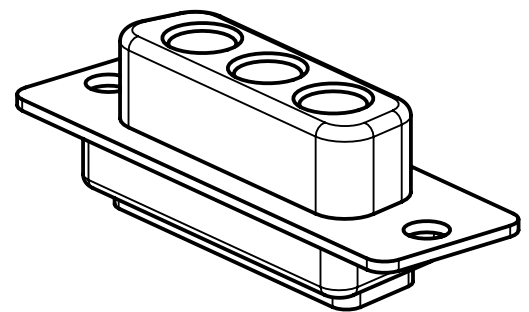
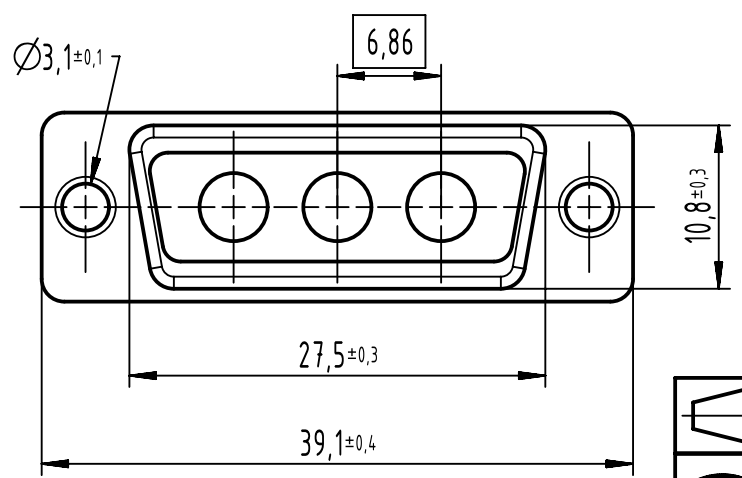
A



B




C



D

|                   |              |
|-------------------|--------------|
| 0969 200 0033.500 | Non magnetic |
| 0969 200 0033     |              |
| Part number       |              |

|   |                     |  |                                      |                    |                         |                 |  |          |
|---|---------------------|--|--------------------------------------|--------------------|-------------------------|-----------------|--|----------|
|  | All rights reserved |  | Scale 2:1                            |                    | Free size tol.          |                 | Ref.   |          |
|   | Department EL PD    |  | Created by ZHUANGJ                   | Inspected by LUOK  | Standardisation RUETERA | Date 2020-12-22 | State Final Release                                |          |
| HARTING   |                     |  | Title DSUB FE 3W3 SHELL W/O CONTACTS |                    |                         |                 | Doc-Key / ECM-Nr. 100223096/UGD/002/A 500000186604 |          |
| D-32339 Espelkamp   |                     |  | Type TB                              | Number 09692000033 |                         |                 | Rev. A   | Page 1/1 |