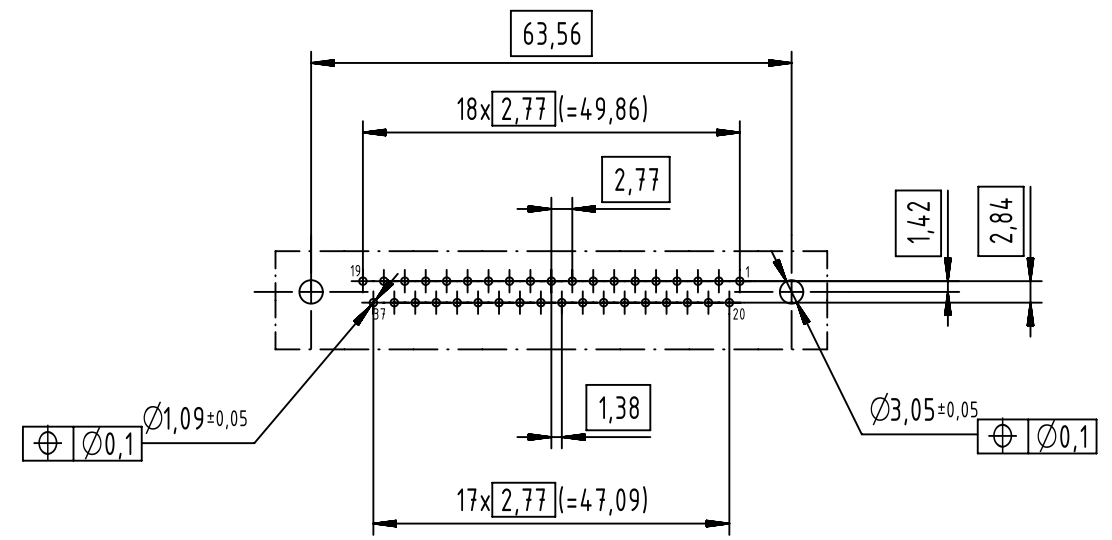


PC-Board layout  
view component side  
thickness 1,6



Connector insertion force on PCB = max. 80N

09684535613	PLS4
09684537613	PL3
Part number	Performance level

	All rights reserved	Created by	Inspected by	Standardisation	Date	State	
	Department EC PD - CN	ZENG D	LUOK	HOFFMANN	2017-11-10	Final Release	
HARTING Electronics GmbH D-32339 Espelkamp		Title D-Sub STD 37-pole female angled board locks				Doc-Key / ECM-Nr. 100539810/UGD/001/C 500000126855	
		Type	Number		Rev.	Page	
		TB	0968453X613		C	1/1	