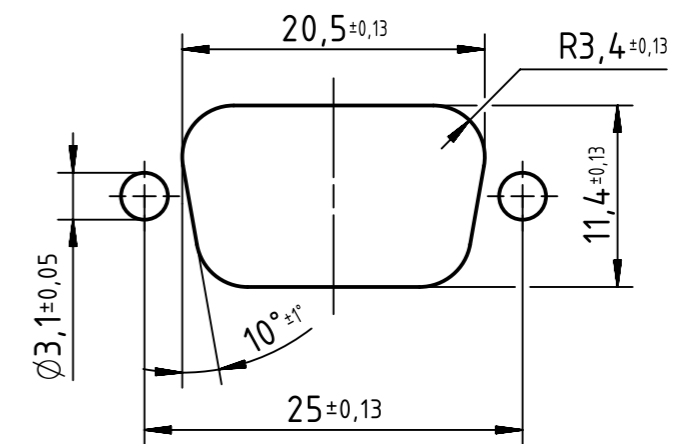
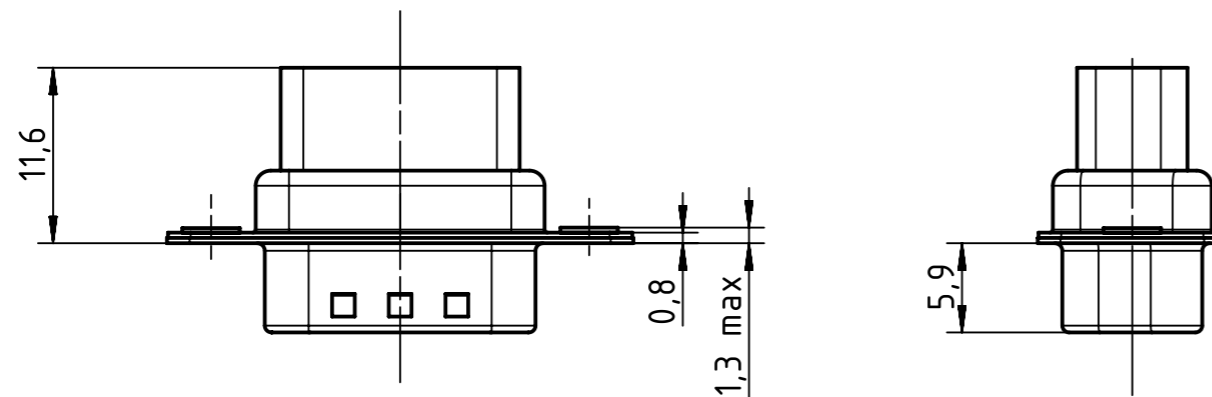
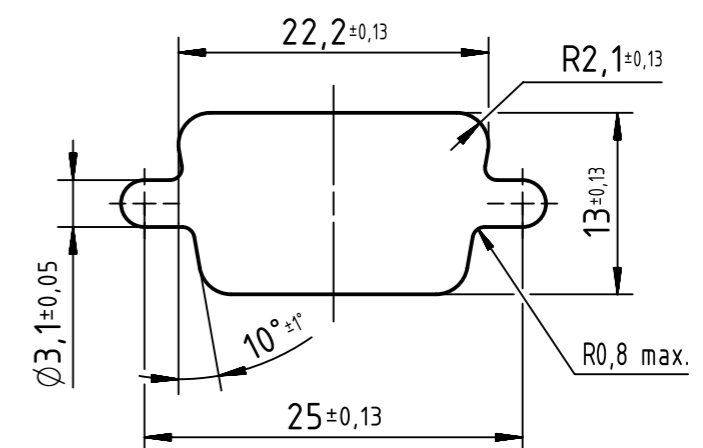
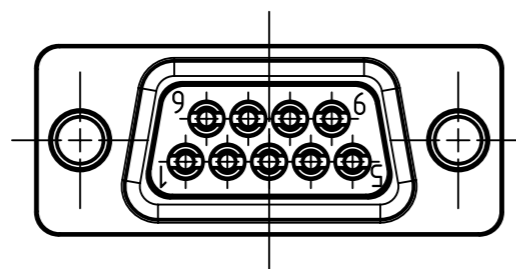


Rear mounting panel cut out



Front mounting panel cut out



0967 009 5601 280	100pcs into one polybag
0967 009 5601	Standard packing in tray
Part number	Packing information

	All rights reserved	Created by	Inspected by	Standardisation	Date	State	
	Department EC PD - CN	ZHUANGJ	LUOK	KOHLER	2017-08-04	Final Release	
All Dimensions in mm Original Size DIN A3		Scale 2:1		Free size tol.		Ref.	
HARTING Electronics GmbH D-32339 Espelkamp		Title D-Sub crimp 09-pole male assembly				Doc-Key / ECM-Nr. 100235516/UGD/001/C 500000123273	
		Type	Number		Rev.	Page	
		TB	09670095601		C	1/1	