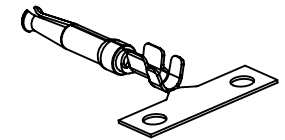
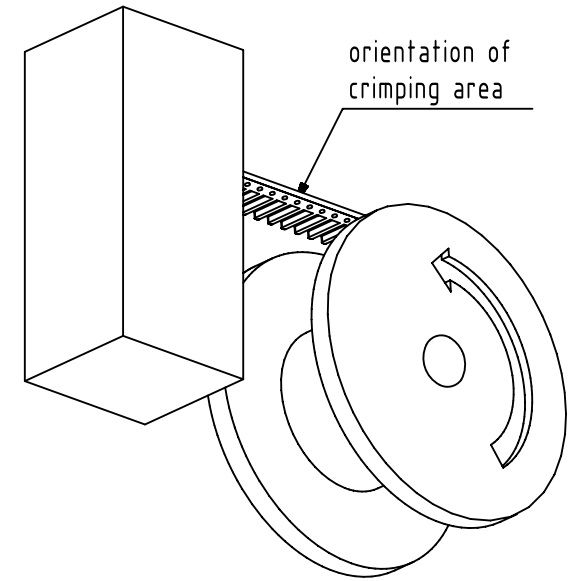


(2:1)



Reel unrolling right reversed



Base material: brass

Plating: sliding contact selective plating over nickel
nickel plated crimp area

Number of contacts per reel: 10000

	All rights reserved Department EL PD	All Dimensions in mm Original Size DIN A4		Scale 5:1	Free size tol.	Ref. Sub.
		Created by ZHUANGJ	Inspected by ZENGD	Standardisation HOFFMANN	Date 2020-06-30	State Approved
HARTING Electronics GmbH D-32339 Espelkamp		Title D-Sub stamped female AWG 24-28 crimp contact				Doc-Key / ECM-Nr. 100607839/UGD/000/B 500000174915
Type TB		Number 0967000723X				Rev. B
						Page 1/1

D	09 67 000 7238	PL2	PdNi
	09 67 000 7237	PL3	Flash Gold
	09 67 000 7236	PL1	PdNi
	Part number	Performance level	Plating