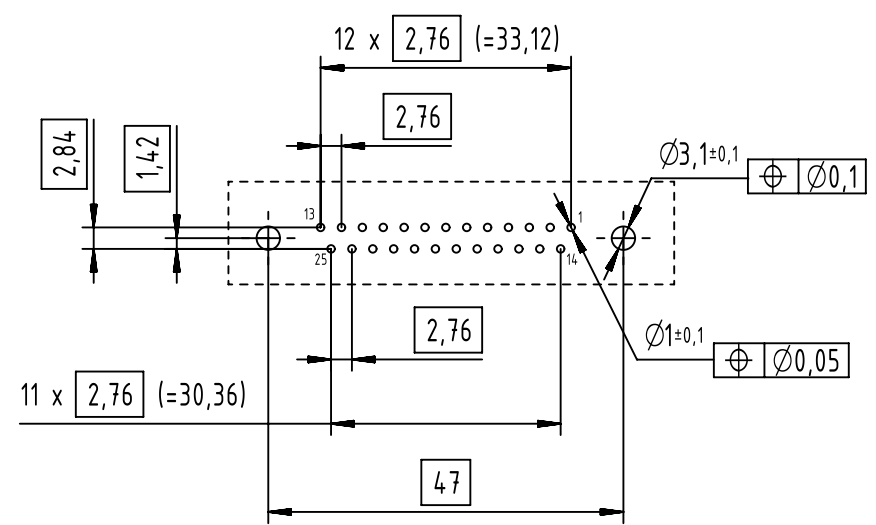
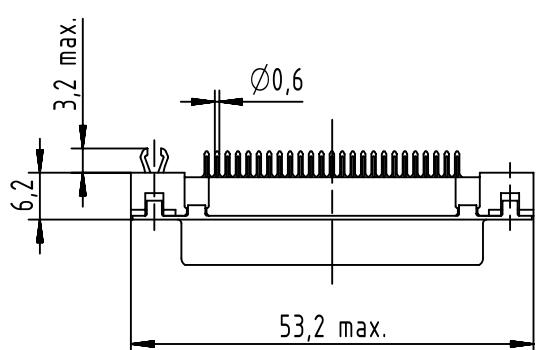
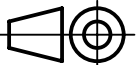



PC-Board layout
view component side
thickness 1,6 mm



Connector retention and insertion forces on PC-Board: 25 N / 80 N

09663513511	M3	PL1	 All Dimensions in mm Original Size DIN A4	Scale 1:1	Free size tol.		Ref.	
09663516511	M3	PL2		 All rights reserved Department EC PD - FR	Created by SONN	Inspected by BAGDIKIAN	Standardisation HOFFMANN	Date 2014-09-11
09663517511	M3	PL3	HARTING Electronics GmbH D-32339 Espelkamp		Title D-Sub 25-Pole Female Straight			Doc-Key / ECM-Nr. 100592259/UGD/000/A 500000079204
09663513512	4-40UNC	PL1		Type TB	Number 0966351X51X		Rev. A	Page 1/1
09663516512	4-40UNC	PL2						
09663517512	4-40UNC	PL3						
Part number	Nut thread	Performance level						