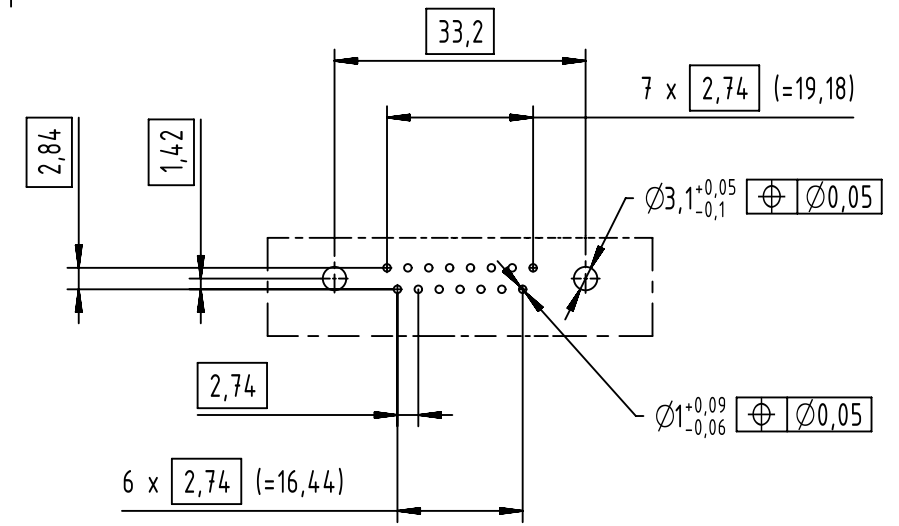
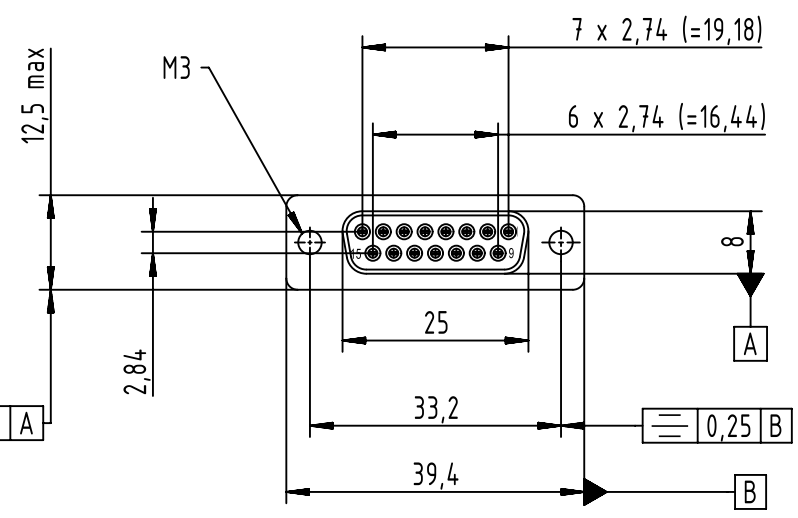


PC-Board layout
view component side
thickness up to 3,2 mm



	All Dimensions in mm Original Size DIN A4		Scale 1:1	Free size tol.		Ref.
			Created by LAVERGNEC	Inspected by BAGDIKIAN	Standardisation HOFFMANN	Sub.
All rights reserved		Date 2014-04-02		State Final Release		
Department EC PD - FR		Title D-Sub 15-pole female straight press-in				Doc-Key / ECM-Nr. 100571794 / UGD/001/A 500000072779
HARTING Electronics GmbH		Type TB				Rev. A
D-32339 Espelkamp		Number 0966214X501				Page 1/1

D	09662147501	3	6	4,20
	09662146501	2	6	4,20
	09662145501	S4 PdNi	6	4,20
	Part number	Performance level	A +/- 0,2	B +/- 0,2