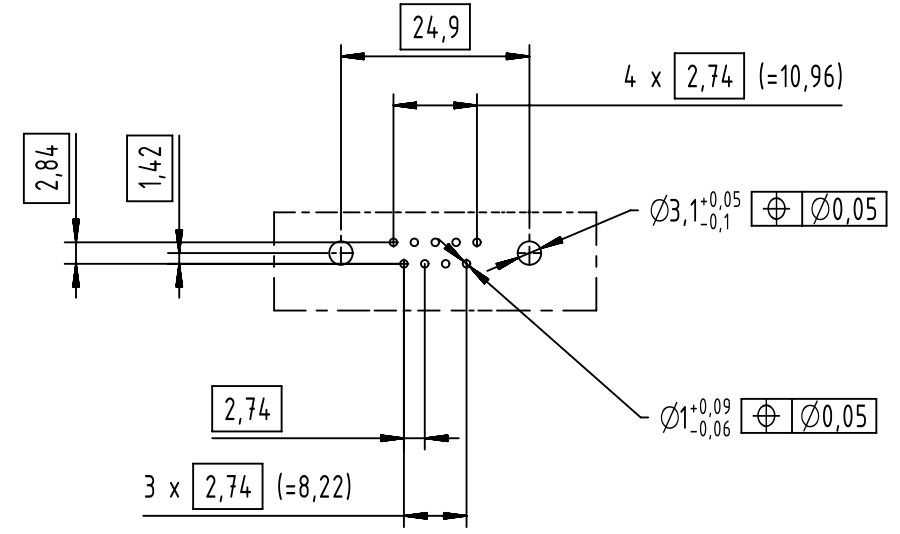
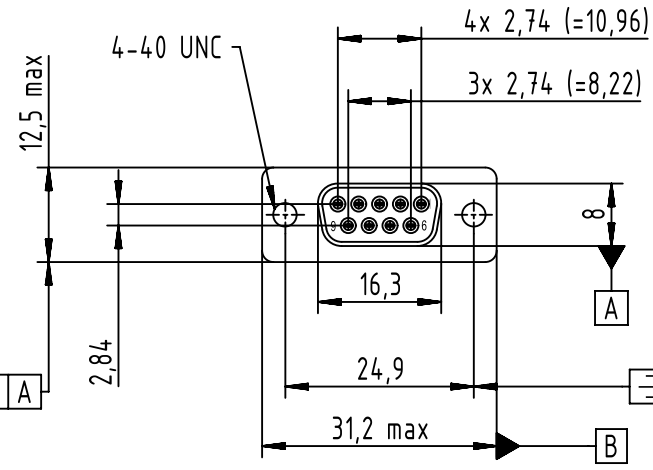


PC-Board layout
view component side
thickness up to 3,2 mm



	All Dimensions in mm Original Size DIN A4		Scale 1:1	Free size tol.		Ref.
						Sub.
	All rights reserved		Created by LAVERGNEC	Inspected by BAGDIKIAN	Standardisation HOFFMANN	Date 2014-04-02
	Department EC PD - FR					State Final Release
HARTING Electronics GmbH			Title D-Sub 9-pole straight female press-in			Doc-Key / ECM-Nr. 100571933/UGD/001/A 500000072779
D-32339 Espelkamp			Type TB	Number 0966154X512		Rev. A Page 1/1

D	09661547512	3	6	4,20
	09661546512	2	6	4,20
	09661545512	S4 PdNi	6	4,20
	Part number	Performance level	A +/- 0,2	B +/- 0,2