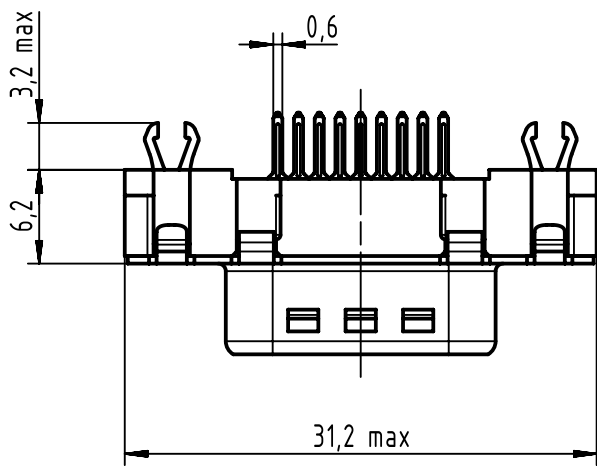
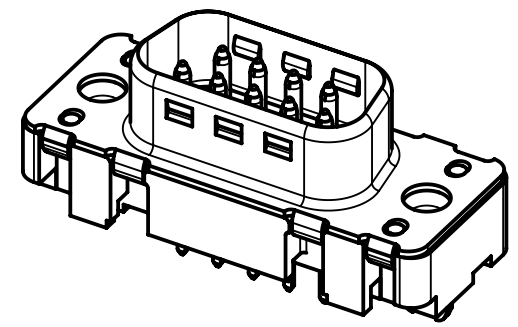
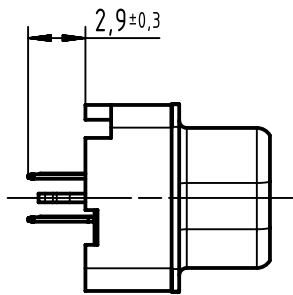
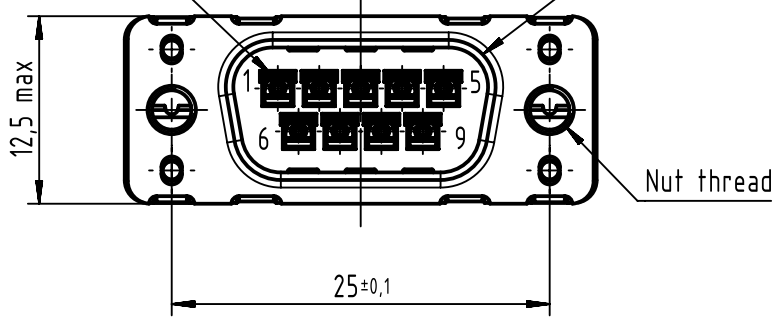


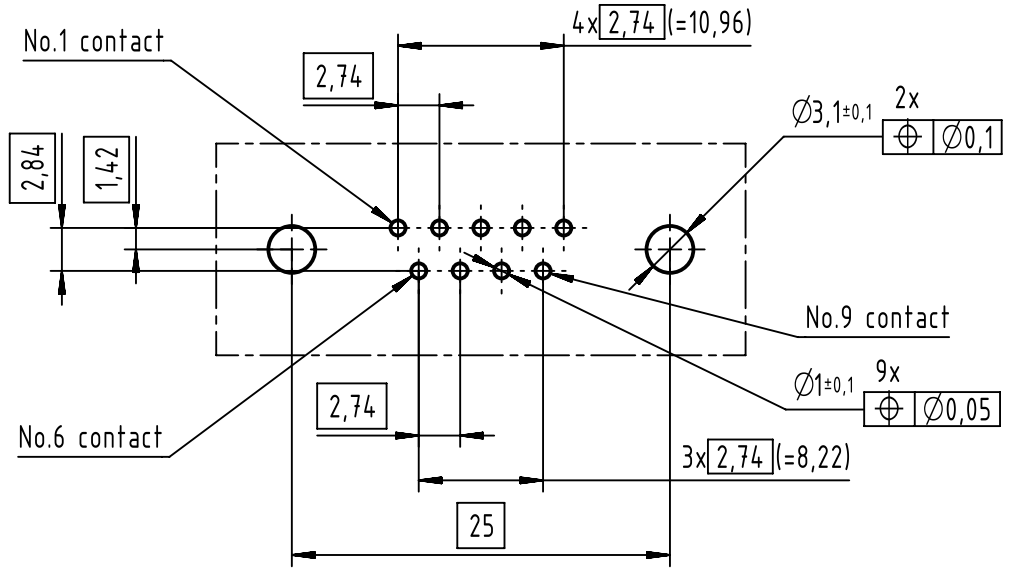
1 2 3 4 5 6

Mating face according to: MIL-C24308 / CECC 75301-802


No.1 contact



PCB layout, component side



D	0965 169 3711	M3	1
	0965 169 6711	M3	2
	0965 169 7711	M3	3
	0965 169 3712	4-40 UNC	1
	0965 169 6712	4-40 UNC	2
	0965 169 7712	4-40 UNC	3
	Part number	Nut thread	Performance level


 All rights reserved
 Department EC PD - CN
 HARTING Electronics GmbH
 D-32339 Espelkamp

All Dimensions in mm Original Size DIN A4		Scale 2:1	Free size tol.		Ref.
Created by ZENGD		Inspected by LUOK	Standardisation KOHLER	Date 2016-08-08	State Final Release
Title D-Sub male str 9-pole connector with nut and board lock HT				Doc-Key / ECM-Nr. 100654211/UGD/000/B 500000107467	
Type TB	Number 0965169X71X			Rev. B	Page 1/1