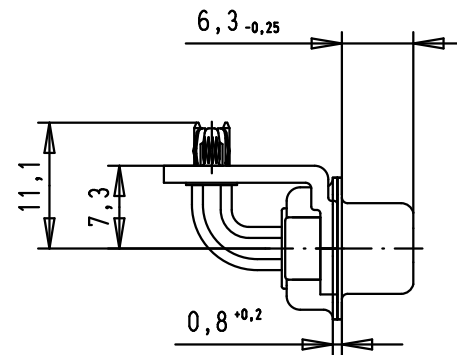
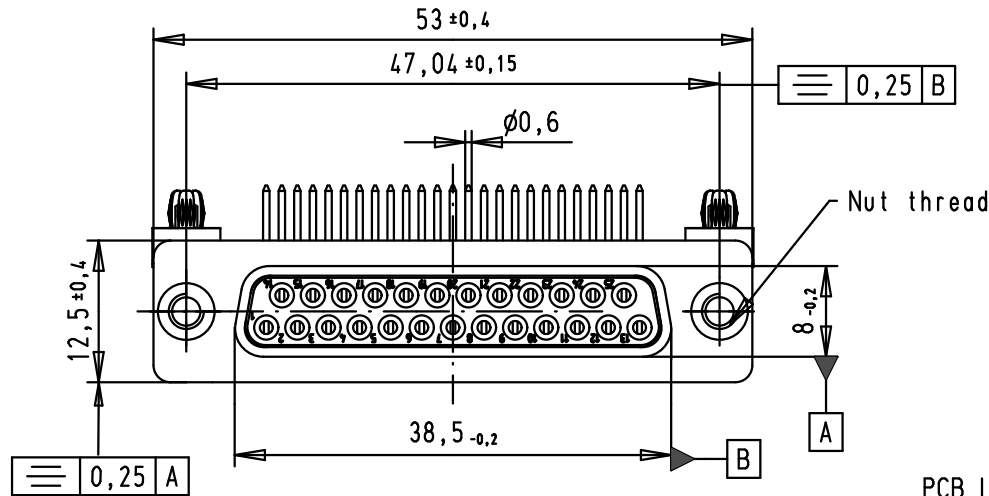


5 4 3 2 1

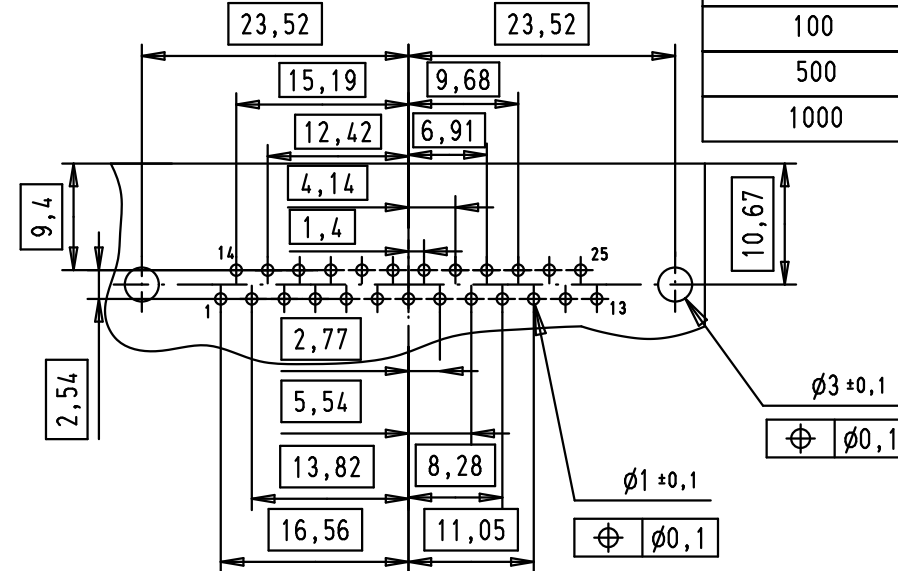
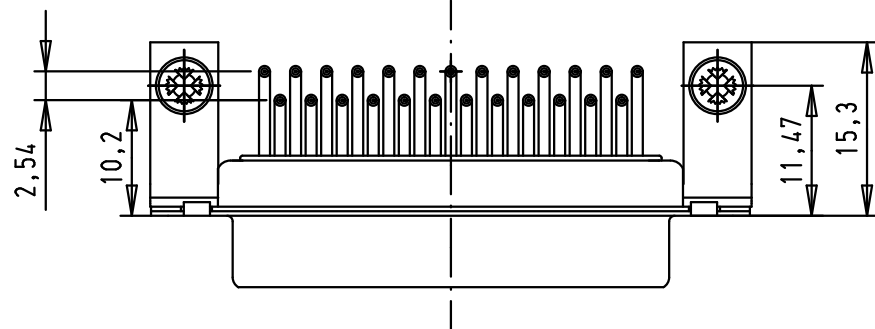
SPECIFICATION

Performance level	PL2
Filter type	C
Capacitance	1000pf±20%
Working Voltage	100v
Current Rating	7.5A
Insulation Resistance	>1GΩ

FREQUENCY (MHz)	ATTENUATION (dB)
5	1dB
10	3dB
50	12dB
100	20dB
500	34dB
1000	30dB



PCB Layout, Component side, thickness 1,6 mm



								D-Sub, female, angled, 25 Poles, turned solder pins, board-locks and clinch nuts		Ma?Mstab/ Scale 1.5:1		
						All Dim. in mm Orig. Size DIN A 4						
09643147233			M3			36283 12/01/12 SD		HARTING EURL F-95972 Paris		TB 0964314723x		
09643147232			UNC 4-40			31058 8-JUL-02 CV						Blatt/ Page 1 / 4
Part number			Nut thread			Mod. Dat. Name						