

0.05-18 GHz

Type N Dual Coaxial Reflectometer Couplers



- Exceptionally High Directivity for Reflectometry Measurements
- Broadband Frequency Coverage
- Bilateral Male and Female Output Ports
- Low VSWR
- High Power

Specifications

Type N (M/F), 0.05 to 8 GHz, 500 W

FREQUENCY RANGE (GHz)	MODEL	NOMINAL COUPLING (dB)	DIRECTIVITY (dB min.)	VSWR		EQUIVALENT RESIDUAL VSWR (max.)	ABSOLUTE CALIBRATION ACCURACY (per 10 dB)	TRUE INSERTION LOSS (dB max.)	TRACKING (dB)	MAXIMUM DEVIATION FROM NOMINAL (dB)	POWER AVERAGE			WEIGHT (max.)	
				PRIMARY LINE	SECONDARY LINE						INCIDENT (W)	REFLECTED (W)	PEAK (kW)	lb.	kg.
0.05-1	3020A	20*	35	1.05	1.10	104	±0.1	0.2	0.3	±1.0 from 250-1000 MHz	500	500	10	2.4	1.1
1-4	3022	20	1-3 GHz: 30 3-4 GHz: 27	1.15	1.15	1.09	±0.1	0.3	0.3	±1.0	500	500	10	1.9	0.9
4-8	3024	20	25	1.15	1.20	1.12	±0.1	0.6	0.3	±1.0	500	500	10	1.5	0.7

* Coupling from 250 MHz to 50 MHz increases from 20 dB to 33 dB

CONNECTORS: Primary Connectors 1 female, 1 male, Type N; Secondary Connectors 2 female, Type N

NOTES:

Model 3020A is usable down to 10 MHz; coupling will typically be 42-46 dB at this frequency.
Accessories supplied with all units above: 1 male short, 1 female short

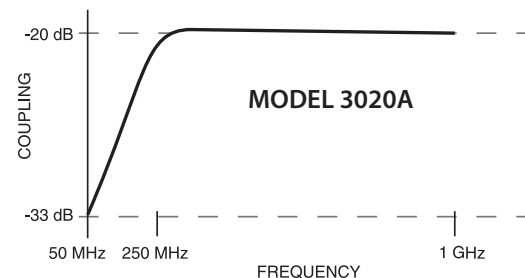
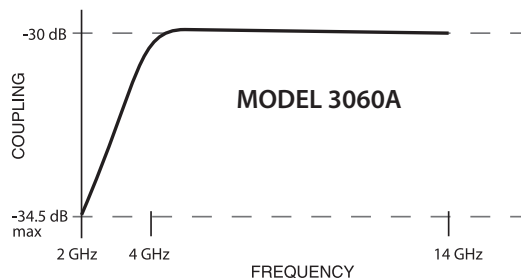
CALIBRATION FREQUENCIES		
3020A (MHz)	3022 (GHz)	3024 (GHz)
50, 150, 250, 300, 400, 500, 600, 700, 800, 900, 1000	1.0, 1.5, 2.0, 2.5, 3.0, 3.5, 4.0	4.0, 5.0, 6.0, 7.0, 8.0

Type N (M/F), 2 to 18 GHz, 200 W

FREQUENCY RANGE (GHz)	MODEL	NOMINAL COUPLING* (dB)	MAXIMUM DEVIATION FROM NOMINAL (dB)	DIRECTIVITY (dB min.)	INSERTION LOSS (dB max.)	VSWR		FREQUENCY SENSITIVITY (dB max.)	POWER		WEIGHT (max.)	
						PRIMARY LINE	SECONDARY LINE		AVERAGE (W)	PEAK (kW)	oz.	gr.
2-18	3060A	30	4-14 GHz: ±1.4	2-14 GHz: 11 14-18 GHz: 9	2-14 GHz: 0.80 14-18 GHz: 1.25	1.60	2-14 GHz: 1.75 14-18 GHz: 2.00	4-14 GHz: ±1.5 14-18 GHz: ±2.0	200	3	15	425

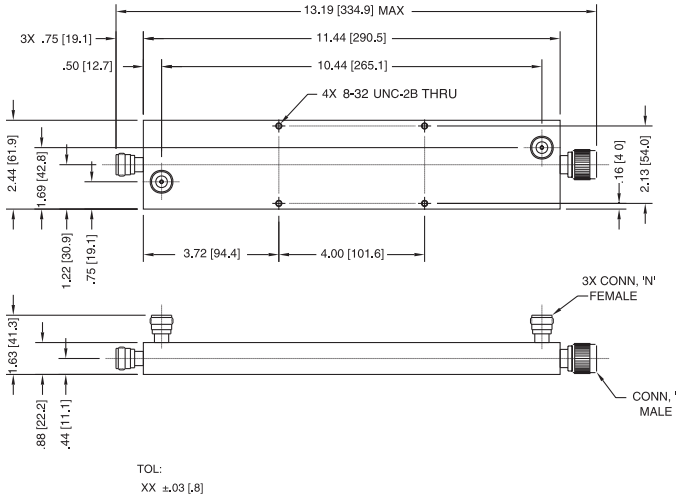
CONNECTORS: Primary Connectors Type N - female (Type N - male optional); Secondary Connectors Type N - female (SMA - female optional)

*Nominal coupling is defined as $\frac{(C_{max} + C_{min})}{2}$, in the range from 4 GHz to 14 GHz. Frequency Sensitivity is applied to the nominal coupling.

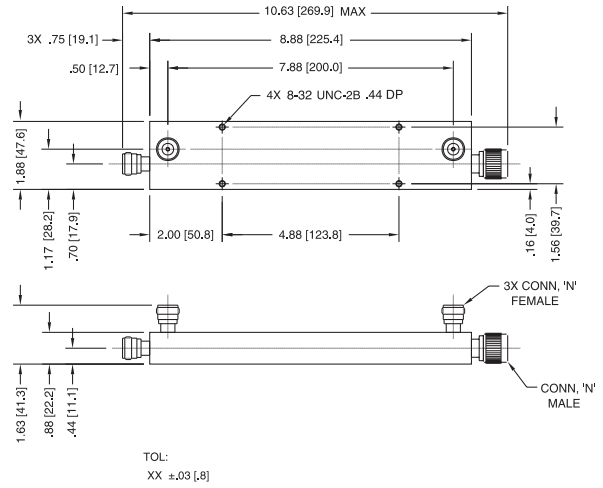


Couplers

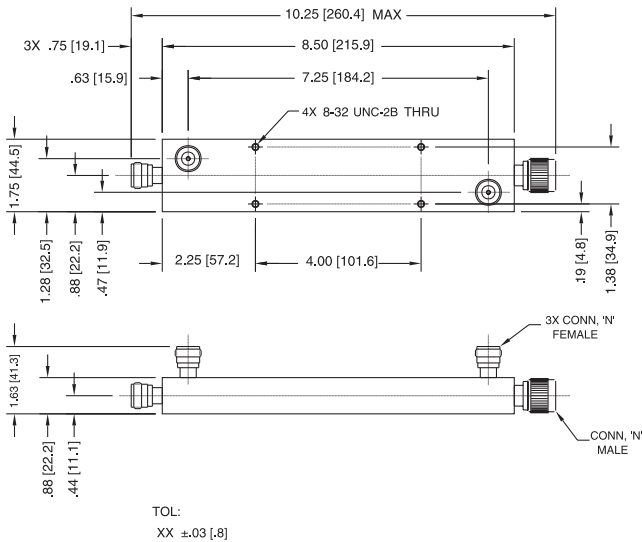
Outline Drawings



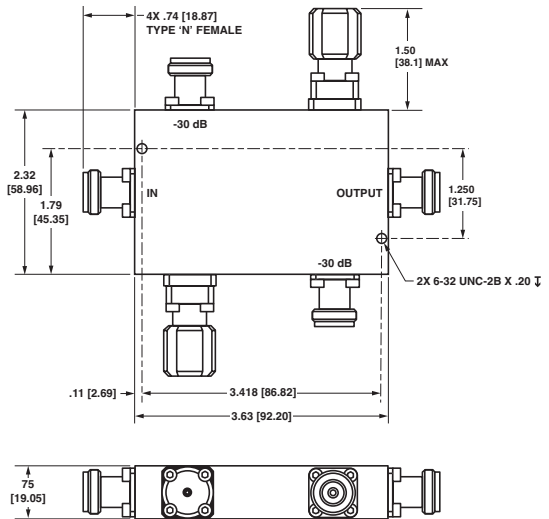
MODEL 3020A



MODEL 3022



MODEL 3024



MODEL 3060A

Dimensions in inches (mm in parentheses), unless otherwise specified.