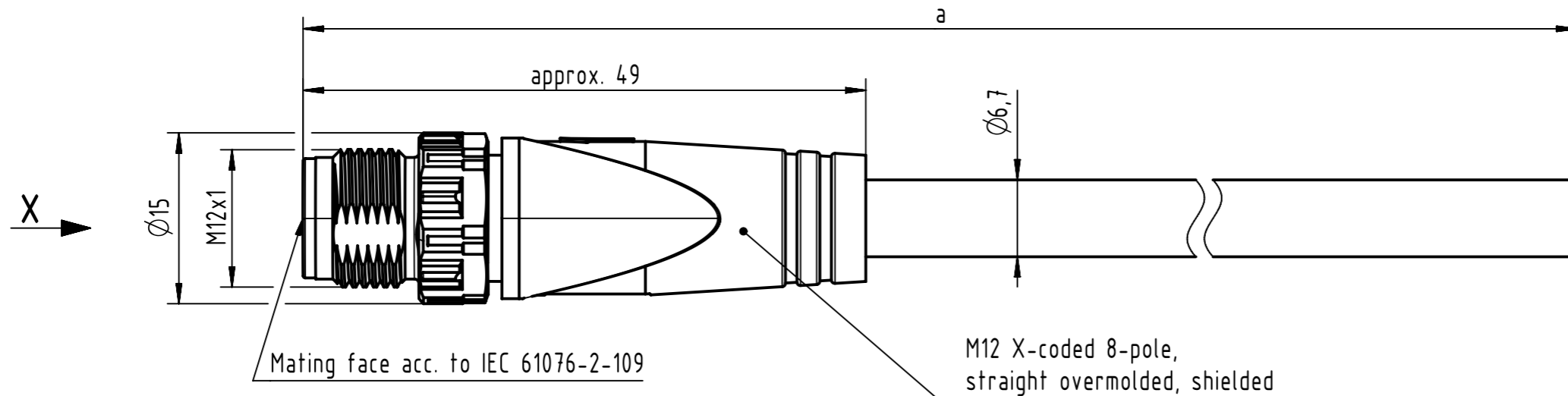
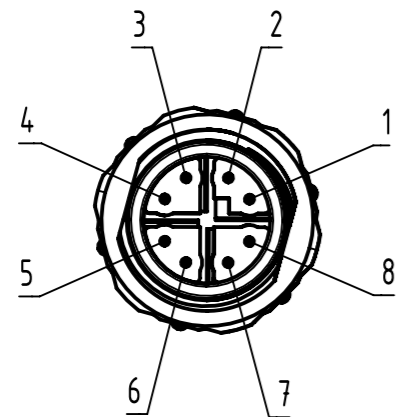


Connector Location A

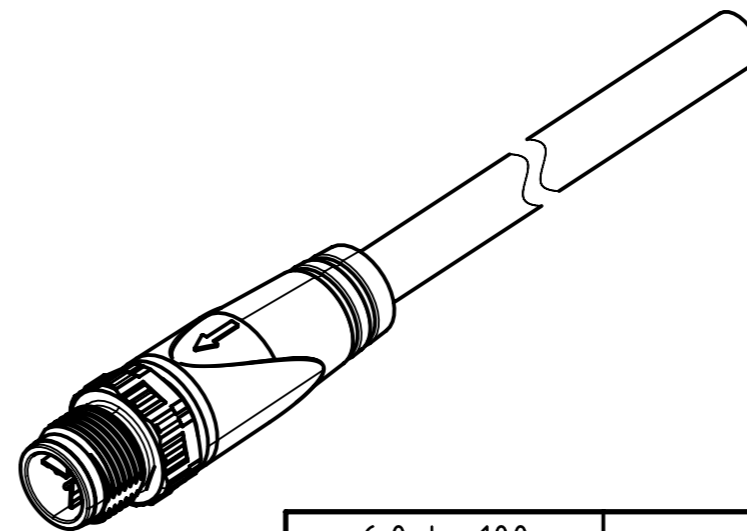
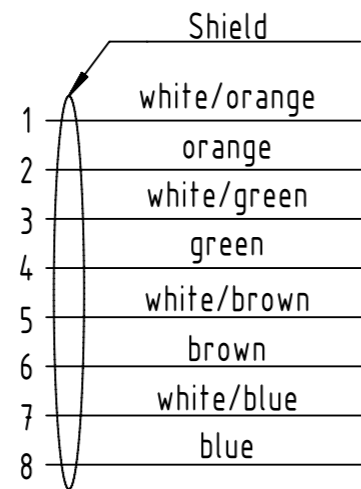
Connector Location B



X male



Loading Plan acc. to TIA/EIA 568B



6.0 to 100	±1%
0.6 to 5.9	+0.04
0.2 to 0.5	+0.02
a [m]	Tolerance

length in "1m" step	100	XXX=000
	99	XXX=990
	12	XXX=120
	11	XXX=110
length in "0.1m" step	10	XXX=100
	9.9	XXX=099
	9.8	XXX=098
	0.5	XXX=005
	0.4	XXX=004
	0.3	XXX=003
0.2	XXX=002	
Step	a [m]	XXX

HARTING IE Cat.6A 4x2xAWG 26/7 PUR, yellow	0948C000756XXX
Type of cable	Part no.

NOTE:

- * Cat.6A 10 Gbit/s Ethernet transmission possible for lengths up to 45m
- Protection level: IP67
- Temperature range: -25°C ... +80°C

	All rights reserved Department HCS - RO	Created by 402676 Gross	Inspected by COSTEA Costea	Standardisation 402676 Gross	Date 2022-04-06	State Final Release	Free size tol.	According to production drawing
HARTING Customised Solutions D-32339 Espelkamp		Title M12 X-cod 8-pol st/- m/- PUR		Doc-Key / ECM-Nr. 101005030/UGD/001/A 500000215298		Rev. A	Page 1/1	
		Type TB	Number 0948C000756XXX					