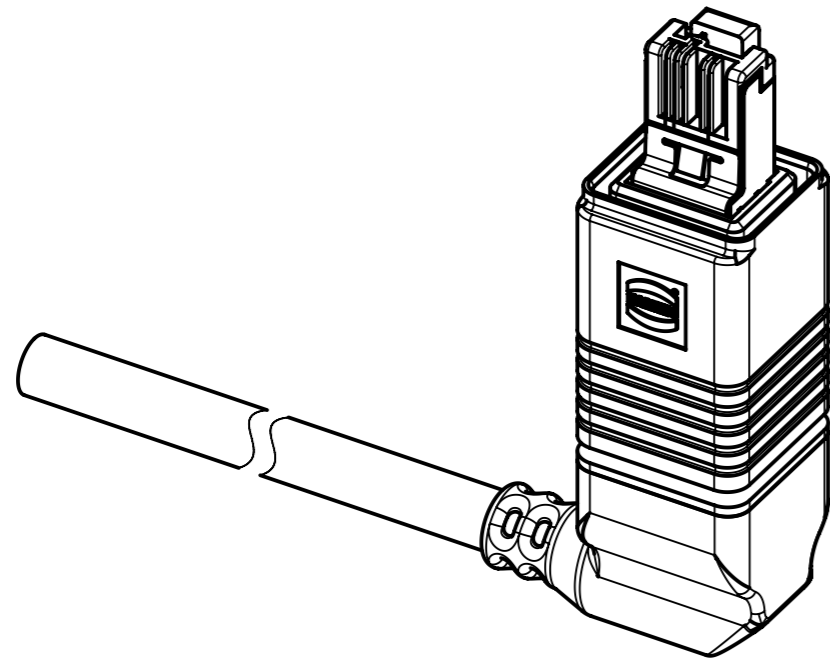


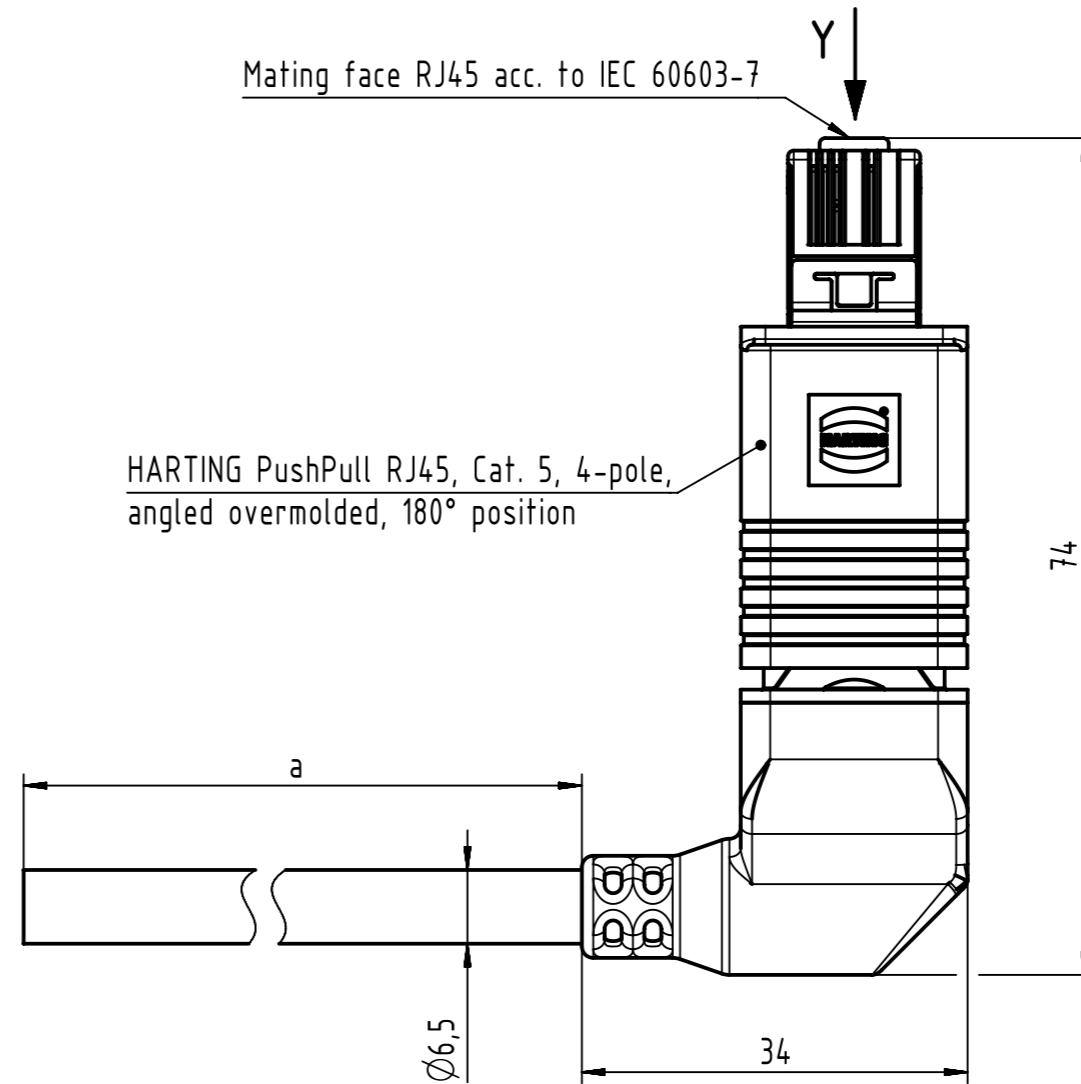
Connector Location A

Connector Location B



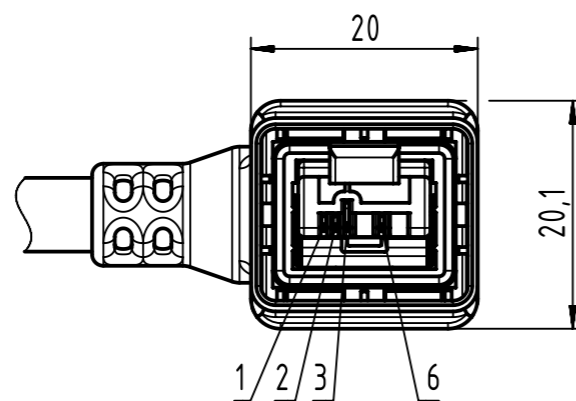
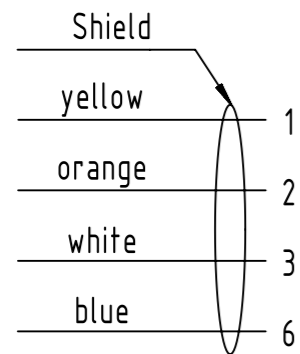
Mating face RJ45 acc. to IEC 60603-7

HARTING PushPull RJ45, Cat. 5, 4-pole, angled overmolded, 180° position



Y male

Loading-Plan



- Protection level: IP65/67  
 - Temperature range: -40°C ... +70°C

	All rights reserved		Tech. Character.		Free size tol.		According to production drawing	
	Department HCS - RO		Created by STOCHECIC Stochechi	Inspected by COSTEA Costea	Standardisation MUNTEANV Muntean	Date 2018-06-13	State Final Release	
HARTING Customised Solutions D-32339 Espelkamp			Title HARTING PushPull RJ45 Cable Assembly				Doc-Key / ECM-Nr. 100155524/UGD/004/D 500000136213	
			Type TB	Number 09474000XXX			Rev. D	Page 1/2

