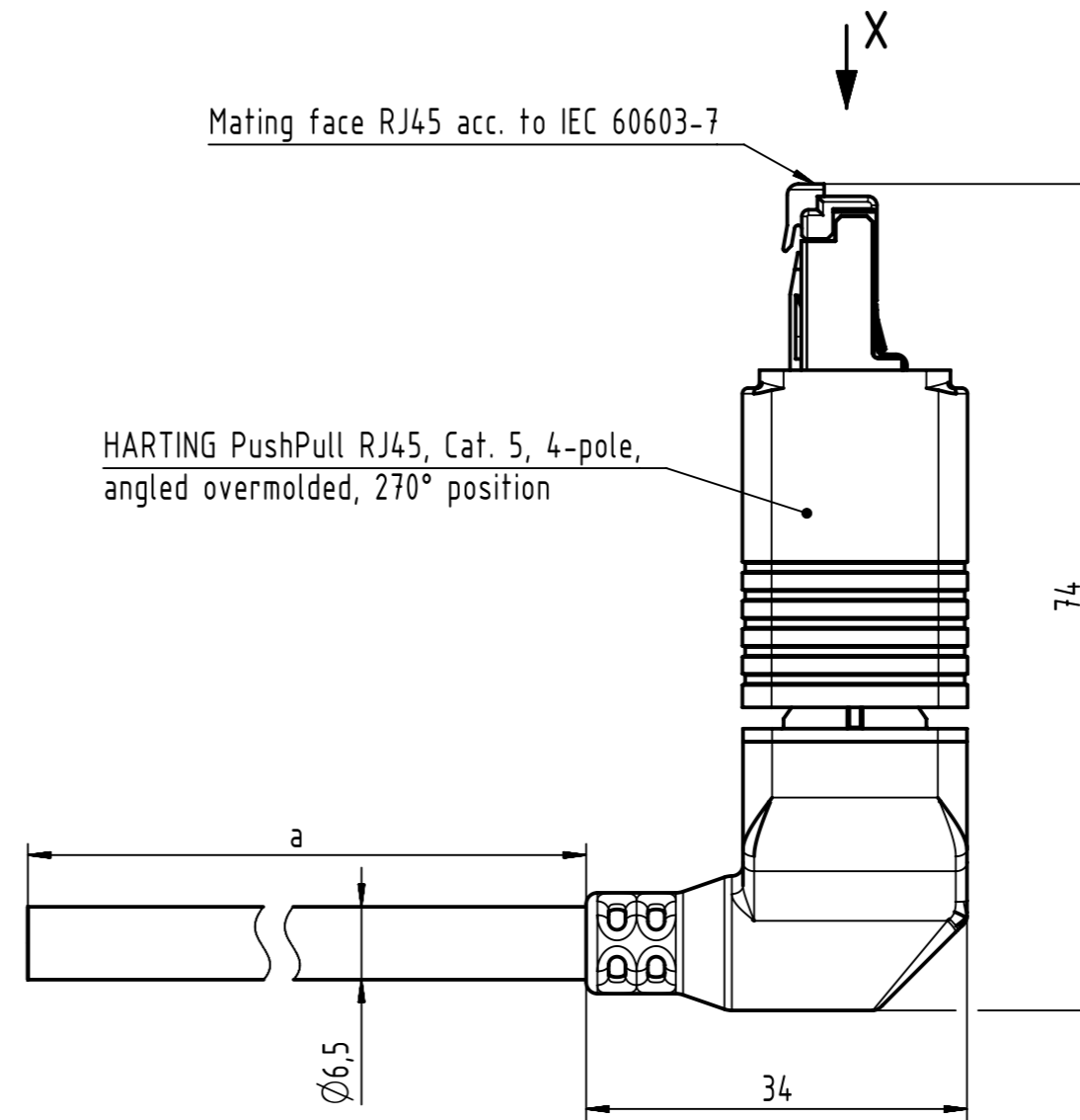
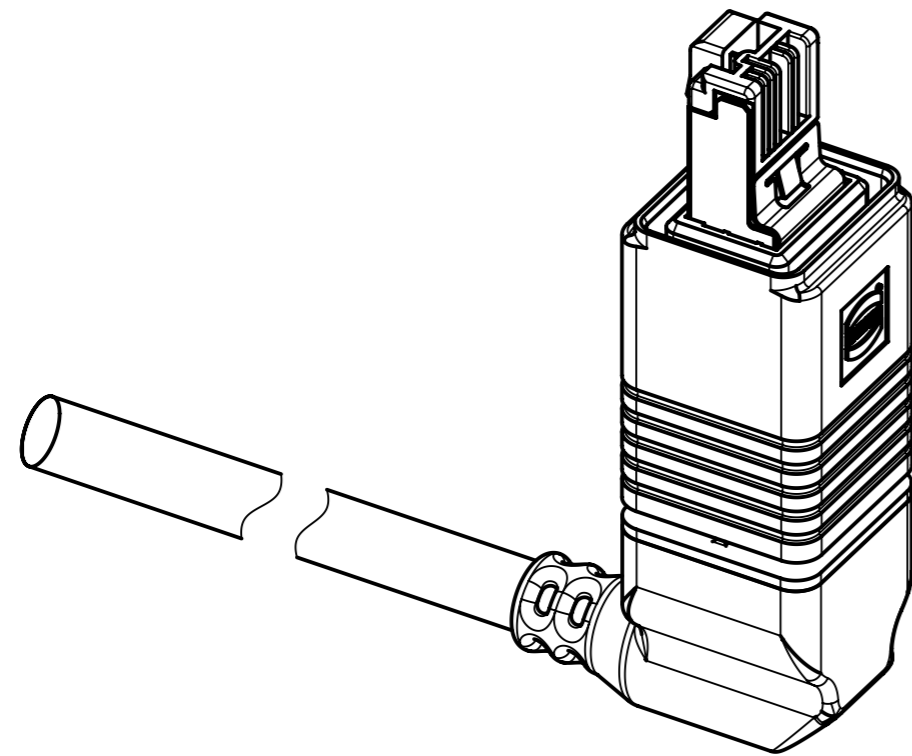


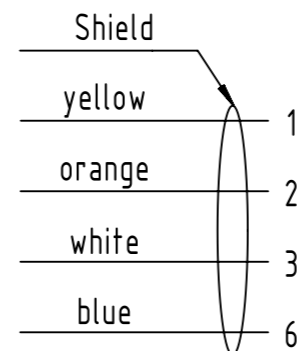
Connector Location A

Connector Location B

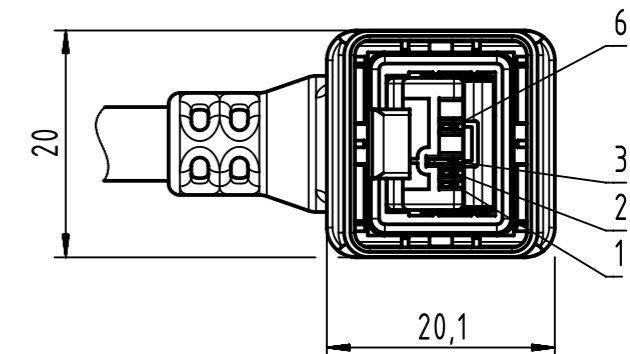
- Protection level: IP65/67
 - Temperature range: -40°C ... +70°C



Loading-Plan




X
male



	All rights reserved	Created by STOCHECIC Stochechi	Inspected by COSTEA Costea	Standardisation MUNTEANV Muntean	Date 2018-06-18	State Final Release	
	Department HCS - RO	Title HARTING PushPull RJ45 Cable Assembly				Doc-Key / ECM-Nr. 100155528/UGD/004/D 500000136476	
HARTING Customised Solutions D-32339 Espelkamp		Type TB	Number 094738000XX			Rev. D	Page 1/2

Cont. no.	Part no.	Type of cable	Dim. a[m]
44	09473800044	RJl Ethernet stranded cable, 4xAWG22/7, PVC, Cat. 5+, green	100
43	09473800043		90
42	09473800042		80
41	09473800041		70
40	09473800040		60
39	09473800039		50
38	09473800038		40
37	09473800037		30
36	09473800036		20
35	09473800035		15
34	09473800034		10
33	09473800033		9
32	09473800032		8
31	09473800031		7
30	09473800030		6
29	09473800029		5
28	09473800028		4
27	09473800027		3
26	09473800026		2
25	09473800025		1.5
24	09473800024		1
23	09473800023		0.5
22	09473800022		RJl Ethernet standard cable, AWG22/1, 2x2x0.64, PVC, Cat. 5+, green
21	09473800021	90	
20	09473800020	80	
19	09473800019	70	
18	09473800018	60	
17	09473800017	50	
16	09473800016	40	
15	09473800015	30	
14	09473800014	20	
13	09473800013	15	
12	09473800012	10	
11	09473800011	9	
10	09473800010	8	
9	09473800009	7	
8	09473800008	6	
7	09473800007	5	
6	09473800006	4	
5	09473800005	3	
4	09473800004	2	
3	09473800003	1.5	
2	09473800002	1	
1	09473800001	0.5	

Cont. no.	Part no.	Type of cable	Dim. a[m]
88	09473800088	RJl Ethernet stranded cable, AWG22/7, 2x2x0.75, outdoor, PVC, Cat. 5+, black	100
87	09473800087		90
86	09473800086		80
85	09473800085		70
84	09473800084		60
83	09473800083		50
82	09473800082		40
81	09473800081		30
80	09473800080		20
79	09473800079		15
78	09473800078		10
77	09473800077		9
76	09473800076		8
75	09473800075		7
74	09473800074		6
73	09473800073		5
72	09473800072		4
71	09473800071		3
70	09473800070		2
69	09473800069		1.5
68	09473800068		1
67	09473800067		0.5
66	09473800066		RJl Ethernet trailing cable, AWG22/7, 2x2x0.75, PUR, Cat. 5+, green
65	09473800065	90	
64	09473800064	80	
63	09473800063	70	
62	09473800062	60	
61	09473800061	50	
60	09473800060	40	
59	09473800059	30	
58	09473800058	20	
57	09473800057	15	
56	09473800056	10	
55	09473800055	9	
54	09473800054	8	
53	09473800053	7	
52	09473800052	6	
51	09473800051	5	
50	09473800050	4	
49	09473800049	3	
48	09473800048	2	
47	09473800047	1.5	
46	09473800046	1	
45	09473800045	0.5	

	All rights reserved Department HCS - RO	Created by STOCHECIC Stocheći	Inspected by COSTEA Costea	Standardisation MUNTEANV Muntean	Date 2018-06-18	State Final Release	Doc-Key / ECM-Nr. 100155528/UGD/004/D 500000136476
HARTING Customised Solutions D-32339 Espelkamp		Title HARTING PushPull RJ45 Cable Assembly		Type TB	Number 094738000XX		Rev. D Page 2/2