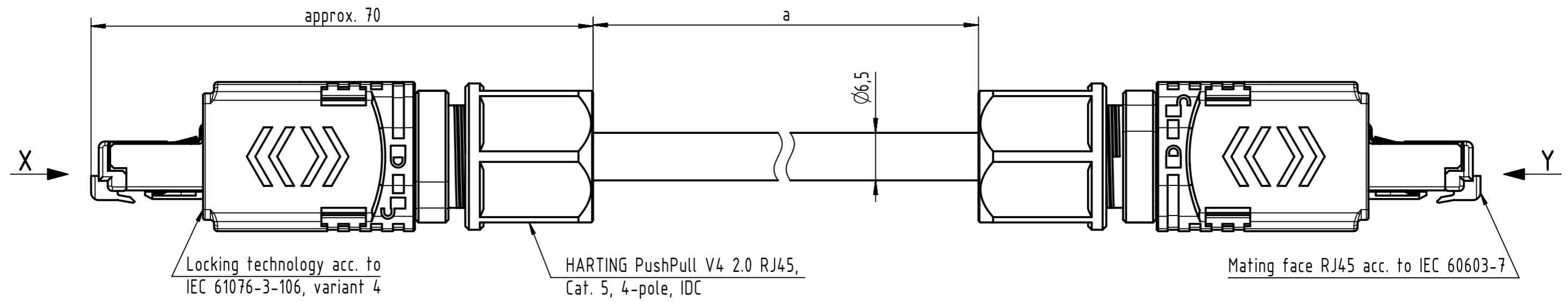


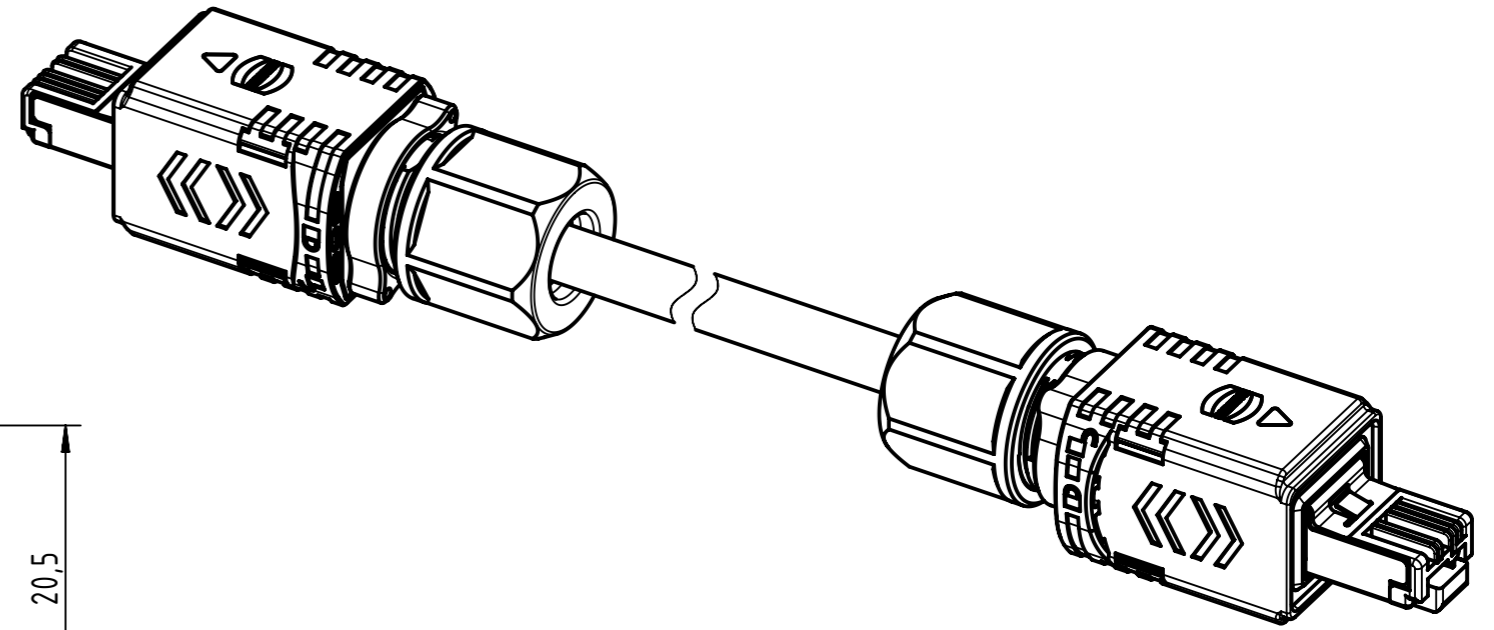
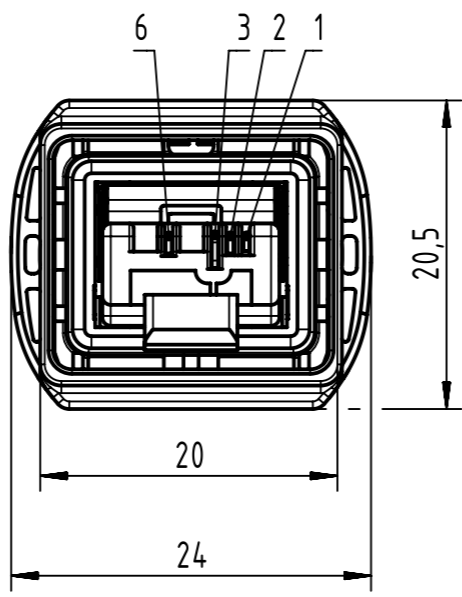
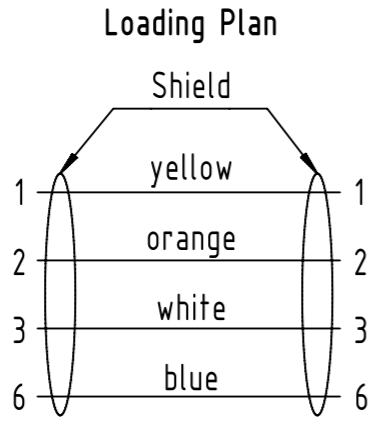
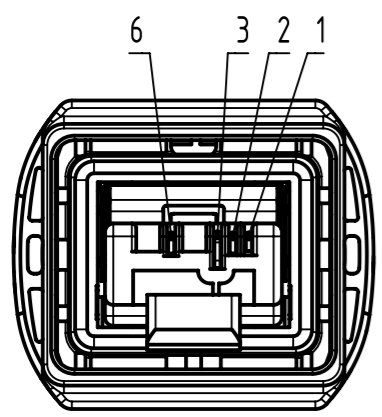
Connector Location A

Connector Location B



X male

Y male



- Protection level: IP65/67
 - Temperature range: -40°C ... +70°C

	All Dimensions in mm	Tech. Character.		Free size tol.		According to production drawing	
	All rights reserved Department HCS - RO	Created by BANCIUD Banciu	Inspected by COSTEA Costea	Standardisation MUNTEANV Muntean	Date 2019-08-08	State Final Release	
HARTING Customised Solutions D-32339 Espelkamp		Title HARTING PushPull RJ45 Cable Assembly				Doc-Key / ECM-Nr. 100155480/UGD/008/E 500000156257	
		Type TB	Number 09473636XXX			Rev. E	Page 1/2

Cont. no.	Part no.	Type of cable	Dim. a[m]
49	09473636044	RJl Ethernet Stranded Cable, 4xAWG 22/7, PVC, Cat. 5+, green	100
48	09473636043		90
47	09473636042		80
46	09473636041		70
45	09473636040		60
44	09473636039		50
43	09473636038		40
42	09473636037		30
41	09473636036		20
40	09473636035		15
39	09473636034		10
38	09473636033		9
37	09473636032		8
36	09473636031		7
35	09473636030		6
34	09473636029		5
33	09473636028		4
32	09473636027		3
31	09473636026		2
30	09473636025		1.5
29	09473636024		1
28	09473636023		0.5
27	09473636022		100
26	09473636021		90
25	09473636093		85
24	09473636020		80
23	09473636019		70
22	09473636092	65	
21	09473636018	60	
20	09473636091	55	
19	09473636017	50	
18	09473636016	40	
17	09473636090	35	
16	09473636015	30	
15	09473636089	25	
14	09473636014	20	
13	09473636013	15	
12	09473636012	10	
11	09473636011	9	
10	09473636010	8	
9	09473636009	7	
8	09473636008	6	
7	09473636007	5	
6	09473636006	4	
5	09473636005	3	
4	09473636004	2	
3	09473636003	1.5	
2	09473636002	1	
1	09473636001	0.5	

Cont. no.	Part no.	Type of cable	Dim. a[m]
93	09473636088	RJl Ethernet Stranded Cable, 4xAWG 22/7, PVC outdoor, Cat. 5+, black	100
92	09473636087		90
91	09473636086		80
90	09473636085		70
89	09473636084		60
88	09473636083		50
87	09473636082		40
86	09473636081		30
85	09473636080		20
84	09473636079		15
83	09473636078		10
82	09473636077		9
81	09473636076		8
80	09473636075		7
79	09473636074		6
78	09473636073		5
77	09473636072		4
76	09473636071		3
75	09473636070		2
74	09473636069		1.5
73	09473636068		1
72	09473636067		0.5
71	09473636066		100
70	09473636065		90
69	09473636064		80
68	09473636063		70
67	09473636062		60
66	09473636061	50	
65	09473636060	40	
64	09473636059	30	
63	09473636058	20	
62	09473636057	15	
61	09473636056	10	
60	09473636055	9	
59	09473636054	8	
58	09473636053	7	
57	09473636052	6	
56	09473636051	5	
55	09473636050	4	
54	09473636049	3	
53	09473636048	2	
52	09473636047	1.5	
51	09473636046	1	
50	09473636045	0.5	

		All Dimensions in mm		Tech. Character.		Free size tol.		According to production drawing	
		All rights reserved Department HCS - RO		Created by BANCIUD Banciu		Inspected by COSTEA Costea		Standardisation MUNTEANV Muntean	
HARTING Customised Solutions D-32339 Espelkamp		Title HARTING PushPull RJ45 Cable Assembly		Date 2019-08-08		State Final Release		Doc-Key / ECM-Nr. 100155480/UGD/008/E 500000156257	
		Type TB		Number 09473636XXX		Rev. E		Page 2/2	