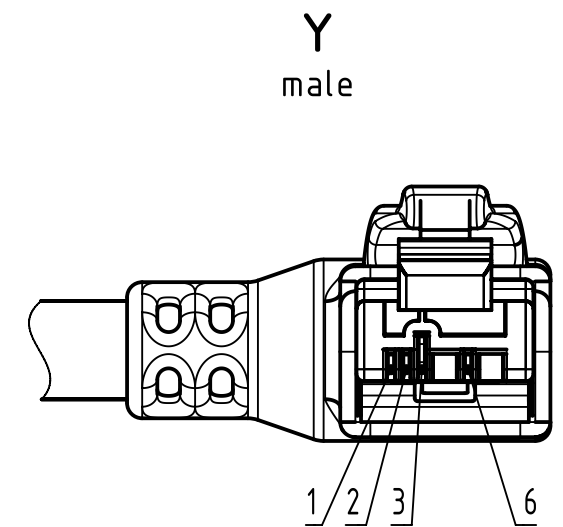
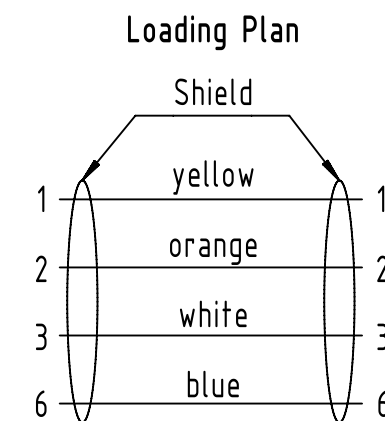
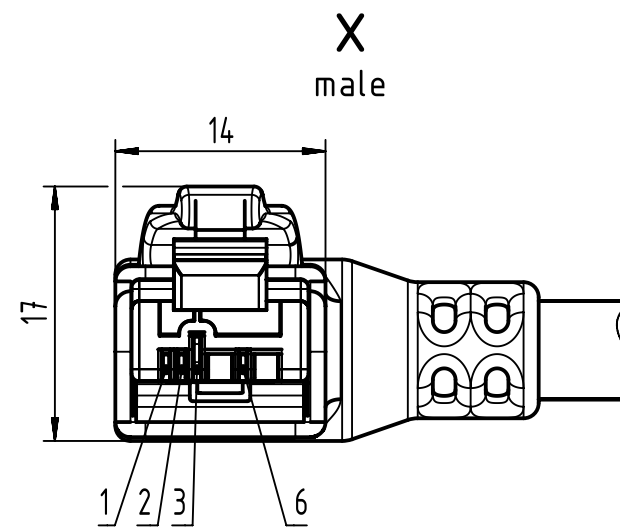
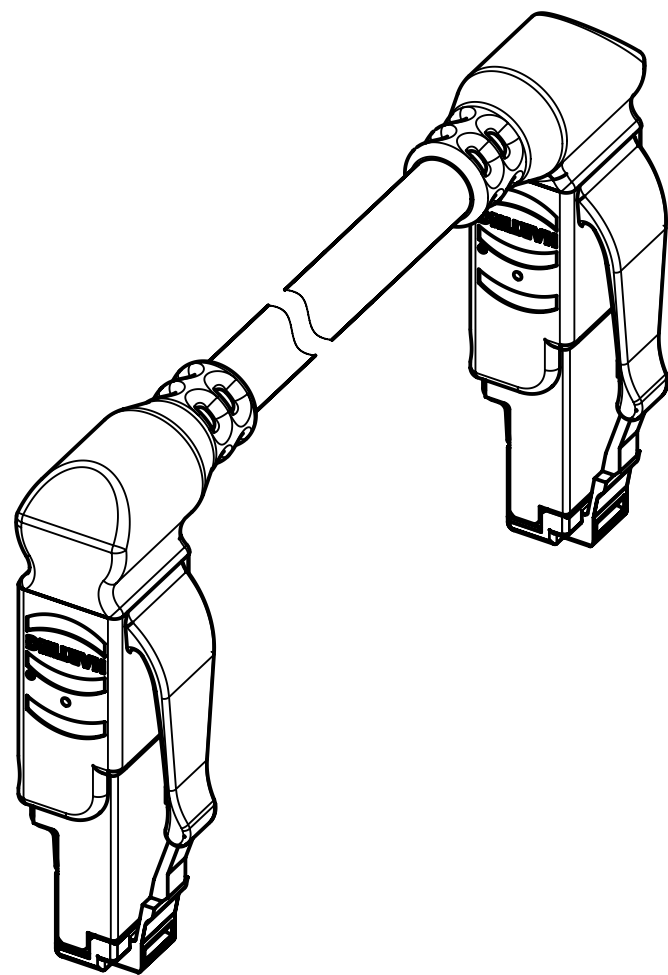
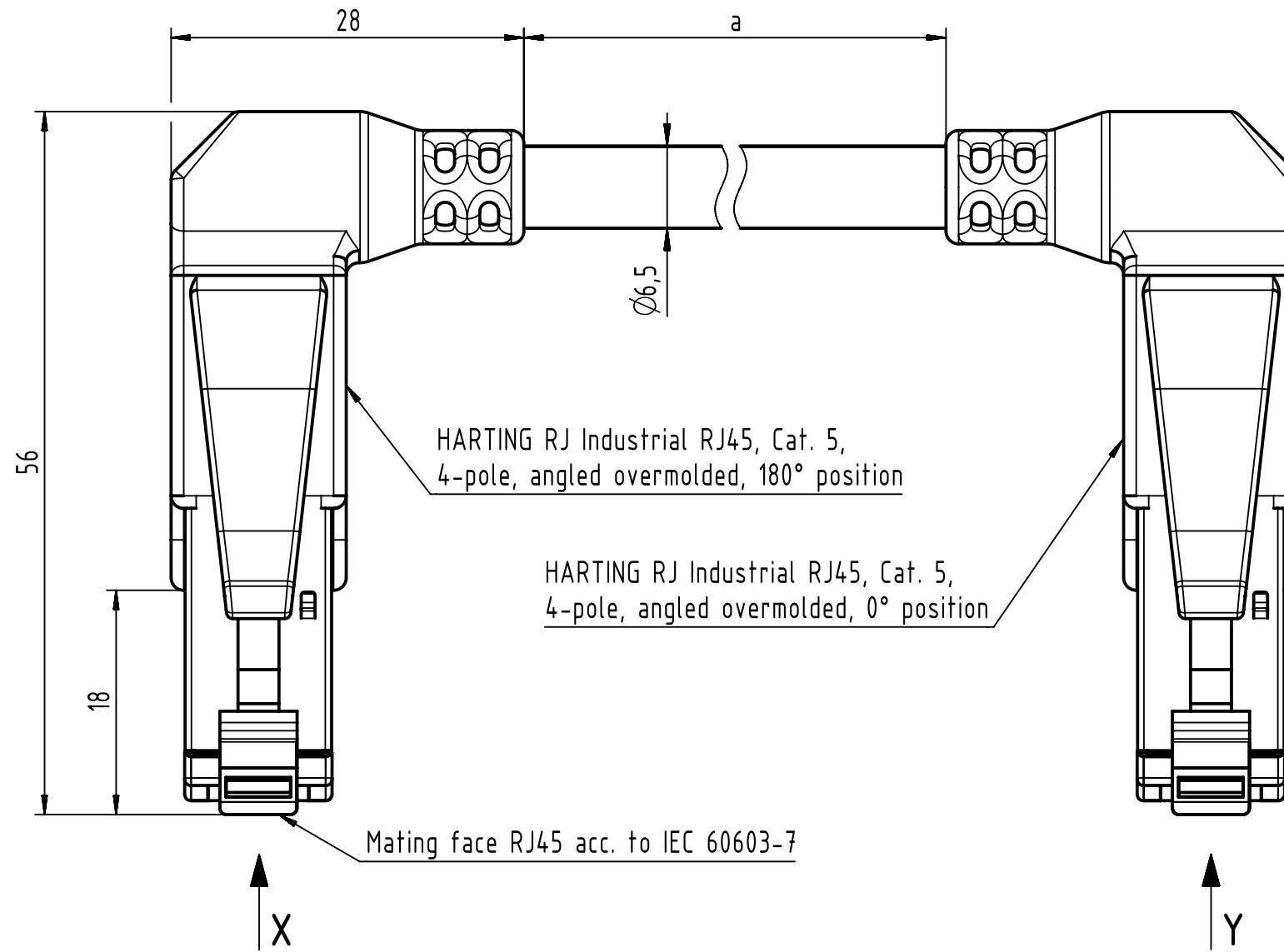


Connector Location A

Connector Location B




- Protection level: IP20
 - Temperature range: -40°C ... +70°C

	All Dimensions in mm	Tech. Character.		Free size tol.		According to production drawing	
	All rights reserved Department HCS - RO	Created by BANCIUD Banciu	Inspected by COSTEA Costea	Standardisation MUNTEANV Muntean	Date 2019-08-08	State Final Release	
HARTING Customised Solutions D-32339 Espelkamp		Title RJ Industrial Cable Assembly				Doc-Key / ECM-Nr. 100177621/UGD/009/D 500000156257	
		Type TB	Number 094705060XX			Rev. D	Page 1/2

Cont. no.	Part no.	Type of cable	Dim. a[m]	
46	09470506044	RJ1 Ethernet Stranded Cable, 4xAWG 22/7, PVC, Cat. 5+, green	100	
45	09470506043		90	
44	09470506042		80	
43	09470506041		70	
42	09470506040		60	
41	09470506039		50	
40	09470506038		40	
39	09470506037		30	
38	09470506091		25	
37	09470506036		20	
36	09470506035		15	
35	09470506034		10	
34	09470506033		9	
33	09470506032		8	
32	09470506031		7	
31	09470506030		6	
30	09470506029		5	
29	09470506028		4	
28	09470506027		3	
27	09470506026		2	
26	09470506025		1.5	
25	09470506024		1	
24	09470506023		0.5	
23	09470506089		0.3	
22	09470506022		RJ1 Ethernet Standard Cable, 4xAWG 22/1, PVC, Cat. 5+, green	100
21	09470506021			90
20	09470506020			80
19	09470506019	70		
18	09470506018	60		
17	09470506017	50		
16	09470506016	40		
15	09470506015	30		
14	09470506014	20		
13	09470506013	15		
12	09470506012	10		
11	09470506011	9		
10	09470506010	8		
9	09470506009	7		
8	09470506008	6		
7	09470506007	5		
6	09470506006	4		
5	09470506005	3		
4	09470506004	2		
3	09470506003	1.5		
2	09470506002	1		
1	09470506001	0.5		

Cont. no.	Part no.	Type of cable	Dim. a[m]	
90	09470506088	RJ1 Ethernet Stranded Cable, 4xAWG 22/7, PVC outdoor, Cat. 5+, black	100	
89	09470506087		90	
88	09470506086		80	
87	09470506085		70	
86	09470506084		60	
85	09470506083		50	
84	09470506082		40	
83	09470506081		30	
82	09470506080		20	
81	09470506079		15	
80	09470506078		10	
79	09470506077		9	
78	09470506076		8	
77	09470506075		7	
76	09470506074		6	
75	09470506073		5	
74	09470506072		4	
73	09470506071		3	
72	09470506070		2	
71	09470506069		1.5	
70	09470506068		1	
69	09470506067		0.5	
68	09470506066		RJ1 Ethernet Trailing Cable, 4xAWG 22/7, PUR, Cat. 5+, green	100
67	09470506065			90
66	09470506064			80
65	09470506063			70
64	09470506062			60
63	09470506061	50		
62	09470506060	40		
61	09470506059	30		
60	09470506058	20		
59	09470506057	15		
58	09470506056	10		
57	09470506055	9		
56	09470506054	8		
55	09470506053	7		
54	09470506052	6		
53	09470506051	5		
52	09470506050	4		
51	09470506049	3		
50	09470506048	2		
49	09470506047	1.5		
48	09470506046	1		
47	09470506045	0.5		

	All rights reserved Department HCS - RO	Created by BANCIUD Banciu	Inspected by COSTEA Costea	Standardisation MUNTEANV Muntean	Date 2019-08-08	State Final Release	Doc-Key / ECM-Nr. 100177621/UGD/009/D 500000156257
HARTING Customised Solutions D-32339 Espelkamp		Title RJ Industrial Cable Assembly		Type TB	Number 094705060XX		Rev. D Page 2/2