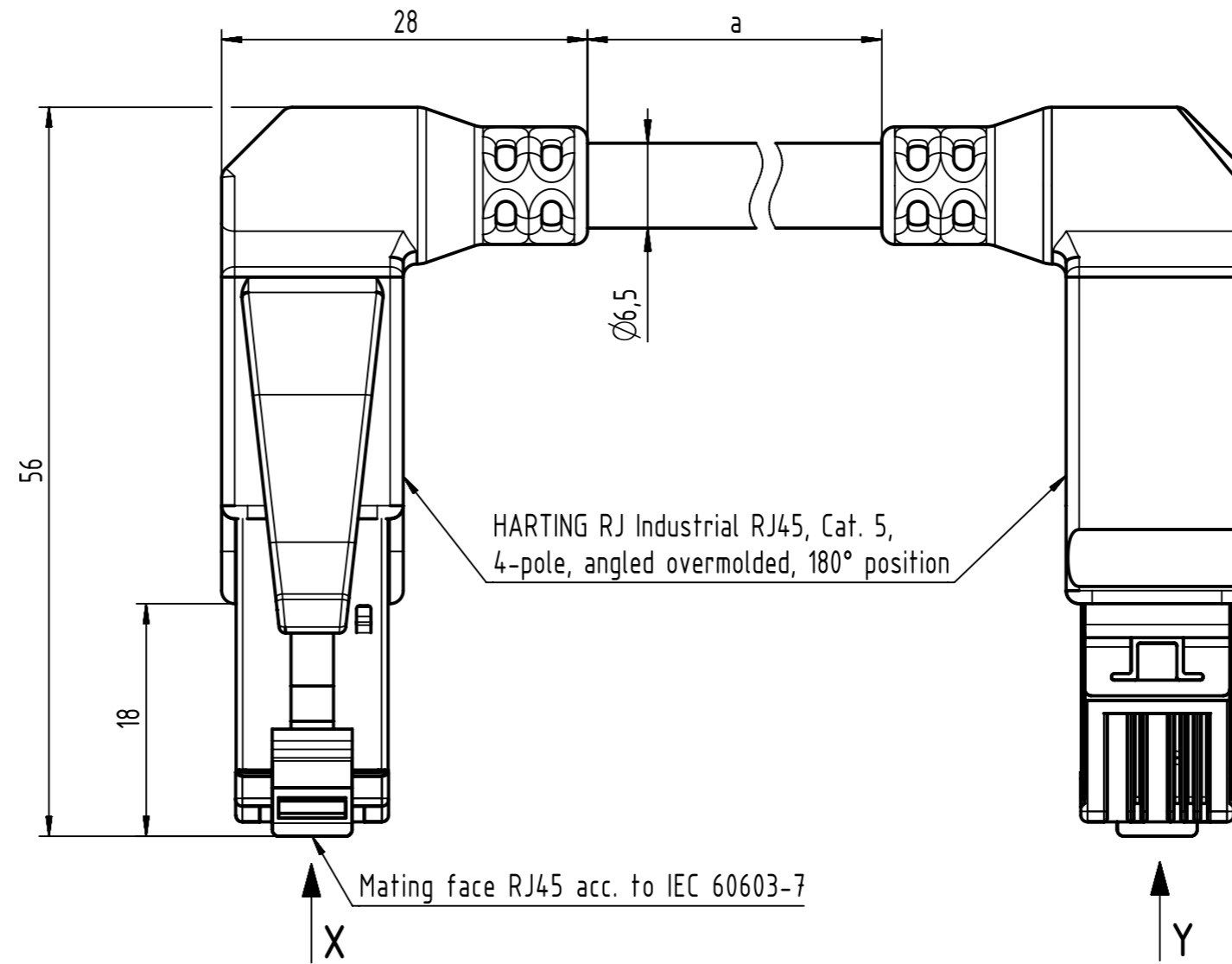


Connector Location A

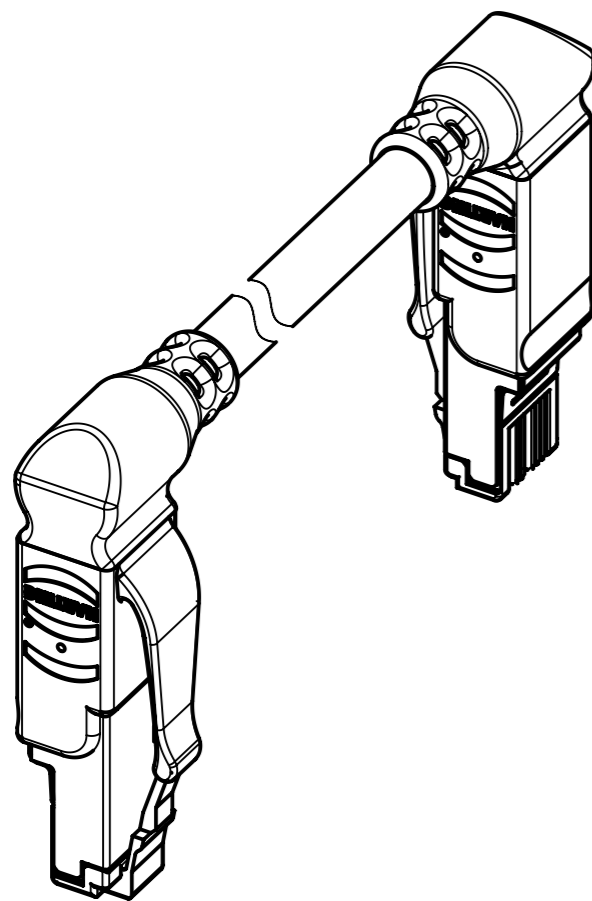
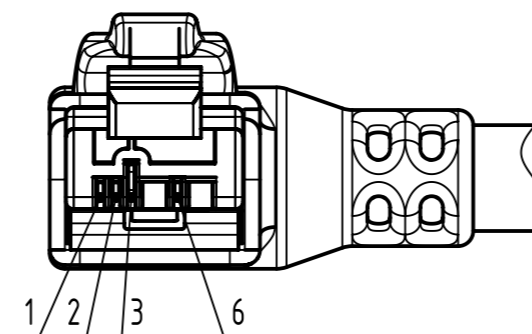
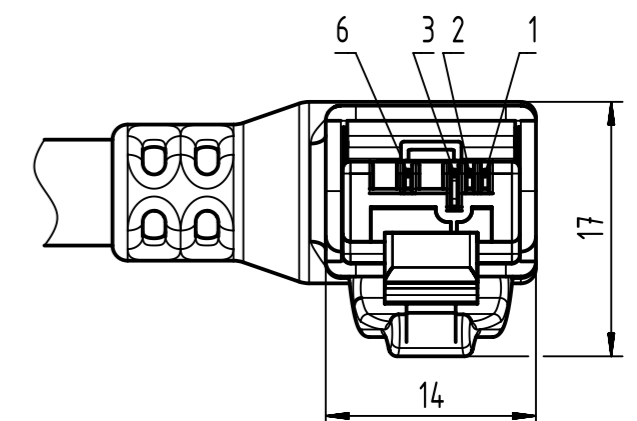
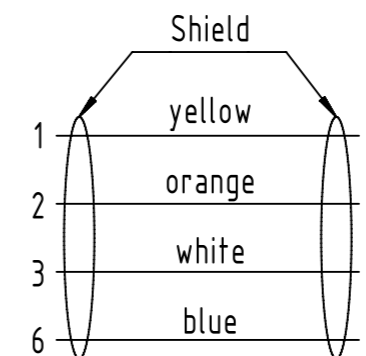
Connector Location B



X  
male

Y  
male

Loading Plan




- Protection level: IP20  
- Temperature range: -40°C ... +70°C

All Dimensions in mm		Tech. Character.		Free size tol.		According to production drawing	
	All rights reserved		Created by BANIUD Banciu	Inspected by COSTEA Costea	Standardisation MUNTEANV Muntean	Date 2019-08-08	State Final Release
	Department HCS - RO		Title RJ Industrial Cable Assembly				Doc-Key / ECM-Nr. 100155464/UGD/004/E 500000156257
HARTING Customised Solutions D-32339 Espelkamp			Type TB	Number 094705050XX		Rev. E	Page 1/2

1	2	3	4
53	09470505051	RJ45 Ethernet Trailing Cable, 4xAWG 22/7, PUR, Cat. 5+, green	5
52	09470505050		4
51	09470505049		3
50	09470505048		2
49	09470505047		1.5
48	09470505046		1
47	09470505092		0.8
46	09470505045		0.5
45	09470505044		100
44	09470505043		90
43	09470505042	80	
42	09470505041	70	
41	09470505040	60	
40	09470505039	50	
39	09470505038	40	
38	09470505037	30	
37	09470505036	20	
36	09470505035	15	
35	09470505034	10	
34	09470505033	9	
33	09470505032	8	
32	09470505031	7	
31	09470505030	6	
30	09470505029	5	
29	09470505028	4	
28	09470505027	3	
27	09470505026	2	
26	09470505025	1.5	
25	09470505024	1	
24	09470505023	0.5	
23	09470505089	0.3	
22	09470505022	100	
21	09470505021	90	
20	09470505020	80	
19	09470505019	70	
18	09470505018	60	
17	09470505017	50	
16	09470505016	40	
15	09470505015	30	
14	09470505014	20	
13	09470505013	15	
12	09470505012	10	
11	09470505011	9	
10	09470505010	8	
9	09470505009	7	
8	09470505008	6	
7	09470505007	5	
6	09470505006	4	
5	09470505005	3	
4	09470505004	2	
3	09470505003	1.5	
2	09470505002	1	
1	09470505001	0.5	
<b>Cont. no.</b>	<b>Part no.</b>	<b>Type of cable</b>	<b>Dim. a[m]</b>

92	09470505088	RJ45 Ethernet Stranded Cable, 4xAWG 22/7, PVC outdoor, Cat. 5+, black	100
91	09470505087		90
90	09470505086		80
89	09470505085		70
88	09470505084		60
87	09470505083		50
86	09470505082		40
85	09470505081		30
84	09470505080		20
83	09470505079		15
82	09470505078		10
81	09470505077		9
80	09470505076		8
79	09470505075		7
78	09470505074		6
77	09470505073		5
76	09470505072		4
75	09470505071		3
74	09470505070		2
73	09470505069		1.5
72	09470505068	1	
71	09470505067	0.5	
70	09470505066	100	
69	09470505065	90	
68	09470505064	80	
67	09470505063	70	
66	09470505062	60	
65	09470505061	50	
64	09470505060	40	
63	09470505059	30	
62	09470505091	25	
61	09470505058	20	
60	09470505057	15	
59	09470505090	12	
58	09470505056	10	
57	09470505055	9	
56	09470505054	8	
55	09470505053	7	
54	09470505052	6	
<b>Cont. no.</b>	<b>Part no.</b>	<b>Type of cable</b>	<b>Dim. a[m]</b>

	All Dimensions in mm	Tech. Character.	Free size tol.	According to production drawing
All rights reserved	Created by BANIUD Banciu	Inspected by COSTEA Costea	Standardisation MUNTEANV Muntean	Date 2019-08-08
Department HCS - RO	Title RJ Industrial Cable Assembly		State Final Release	Doc-Key / ECM-Nr. 100155464/UGD/004/E 500000156257
HARTING Customised Solutions	Type TB	Number 094705050XX	Rev. E	Page 2/2