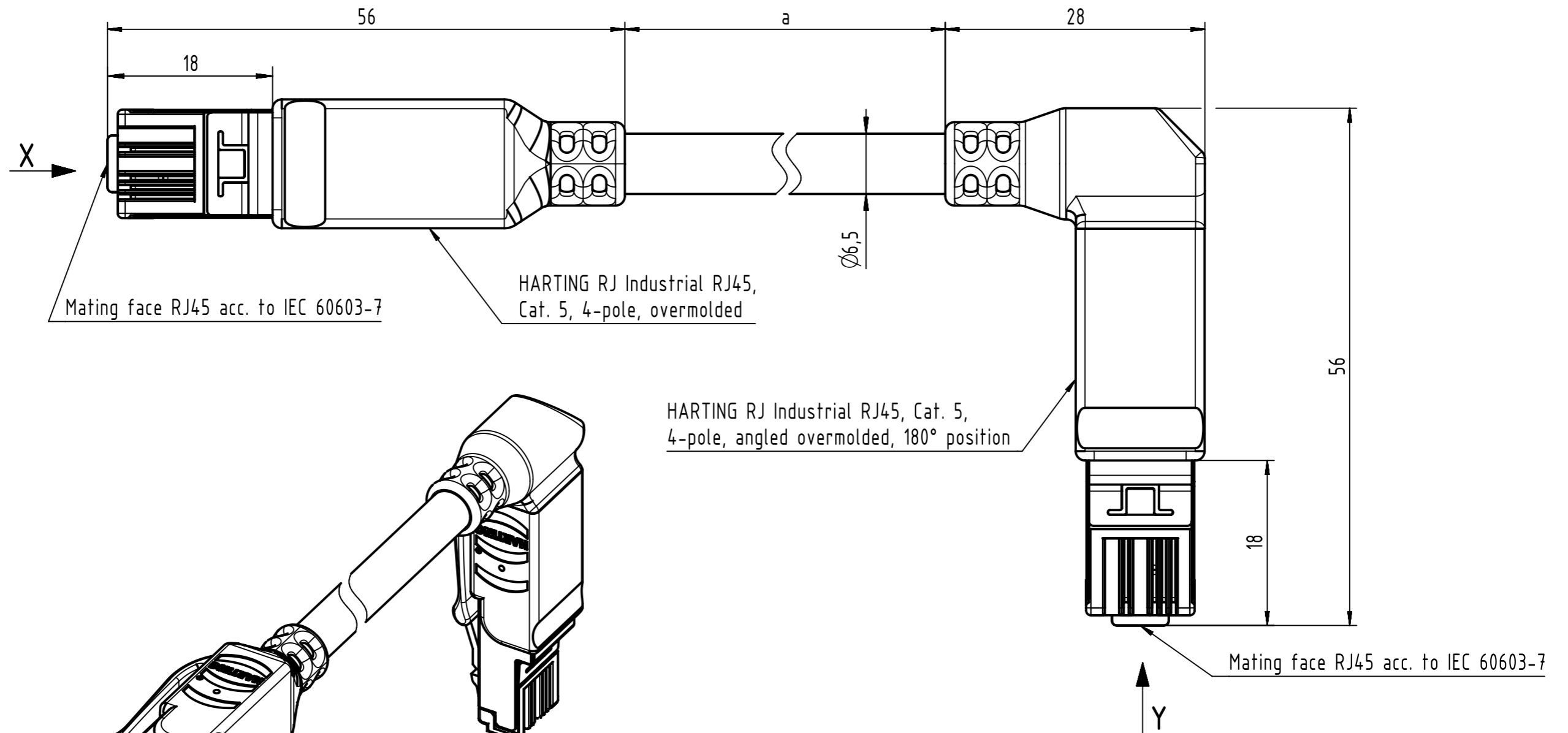


Connector Location A

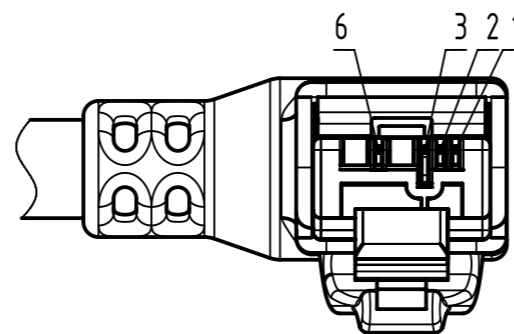
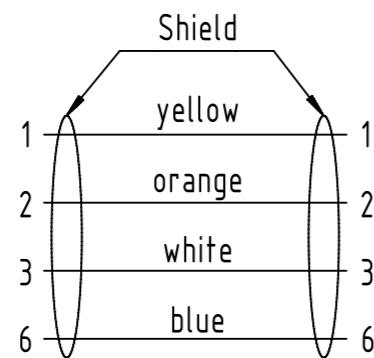
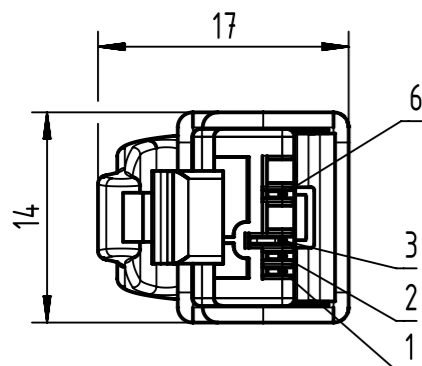
Connector Location B



X
male

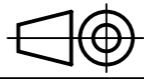

Y
male

Loading Plan




- Protection level: IP20
- Temperature range: -40°C ... +70°C

		All Dimensions in mm		Tech. Character.		Free size tol.		According to production drawing	
All rights reserved Department HCS - RO		Created by STOCHECIC Stocceci		Inspected by COSTEA Costea		Standardisation MUNTEANV Muntean		Date 2019-08-08	
HARTING Customised Solutions D-32339 Espelkamp		Title RJ Industrial Cable Assembly		Type TB		Number 09470502XXX		State Final Release	
Doc-Key / ECM-Nr. 100155365/UGD/004/H 500000156311								Rev. H	Page 1/3

1	2	3	4	5	6	7	8			
RJl Ethernet Stranded Cable, 4xAWG 22/7, PVC, Cat. 5+, green										
45	09470502044		100	RJl Ethernet Trailing Cable, 4xAWG 22/7, PUR, Cat. 5+, green						
44	09470502043		90							
43	09470502042		80							
42	09470502041		70							
41	09470502040		60							
40	09470502039		50							
39	09470502038		40							
38	09470502037		30							
37	09470502036		20							
36	09470502035		15							
35	09470502034		10							
34	09470502033		9							
33	09470502032		8							
32	09470502031		7							
31	09470502030		6							
30	09470502029		5							
29	09470502028		4							
28	09470502027		3							
27	09470502026		2							
26	09470502025		1.5							
25	09470502024		1							
24	09470502091		0.8							
23	09470502023		0.5							
RJl Ethernet Standard Cable, 4xAWG 22/1, PVC, Cat. 5+, green										
22	09470502022		100	RJl Ethernet Trailing Cable, 4xAWG 22/7, PUR, Cat. 5+, green						
21	09470502021		90							
20	09470502020		80							
19	09470502019		70							
18	09470502018		60							
17	09470502017		50							
16	09470502016		40							
15	09470502015		30							
14	09470502014		20							
13	09470502013		15							
12	09470502012		10							
11	09470502011		9							
10	09470502010		8							
9	09470502009		7							
8	09470502008		6							
7	09470502007		5							
6	09470502006		4							
5	09470502005		3							
4	09470502004		2							
3	09470502003		1.5							
2	09470502002		1							
1	09470502001		0.5							
Cont. no.	Part no.	Type of cable	Dim a[m]							
				 All Dimensions in mm		Tech. Character.		Free size tol.	According to production drawing	
				 All rights reserved Department HCS - RO		Created by STOCECIC Stoceci	Inspected by COSTEA Costea	Standardisation MUNTEANV Muntean	Date 2019-08-08	State Final Release
				HARTING Customised Solutions D-32339 Espelkamp		Title RJ Industrial Cable Assembly		Doc-Key / ECM-Nr. 100155365/UGD/004/H 500000156311		
				Type	TB	Number	09470502XXX		Rev.	H
									Page	2/3

1	2	3	4	5	6	7	8	
A								A
B								B
C								C
D	99	09470502088	RJ45 Ethernet Stranded Cable, 4xAWG 22/7, PVC outdoor, Cat. 5+, black	100				D
	98	09470502087		90				
	97	09470502086		80				
	96	09470502085		70				
	95	09470502084		60				
	94	09470502083		50				
	93	09470502082		40				
	92	09470502081		30				
	91	09470502080		20				
	90	09470502079		15				
	89	09470502078		10				
	88	09470502077		9				
	87	09470502076		8				
E	86	09470502075		7				E
	85	09470502074		6				
	84	09470502073		5				
	83	09470502072		4				
	82	09470502071		3				
	81	09470502070		2				
	80	09470502069		1.5				
	79	09470502068	1					
F	78	09470502067	0.5				F	
	Cont. no.	Part no.	Type of cable	Dim a[m]				
1	2	3	4	5	6	7	8	

	All rights reserved	Created by STOCHECIC Stochei	Inspected by COSTEA Costea	Standardisation MUNTEANV Muntean	Date 2019-08-08	State Final Release	
	Department HCS - RO	Title RJ Industrial Cable Assembly				Doc-Key / ECM-Nr. 100155365/UGD/004/H 500000156311	
HARTING Customised Solutions D-32339 Espelkamp		Type TB	Number 09470502XXX			Rev. H	Page 3/3