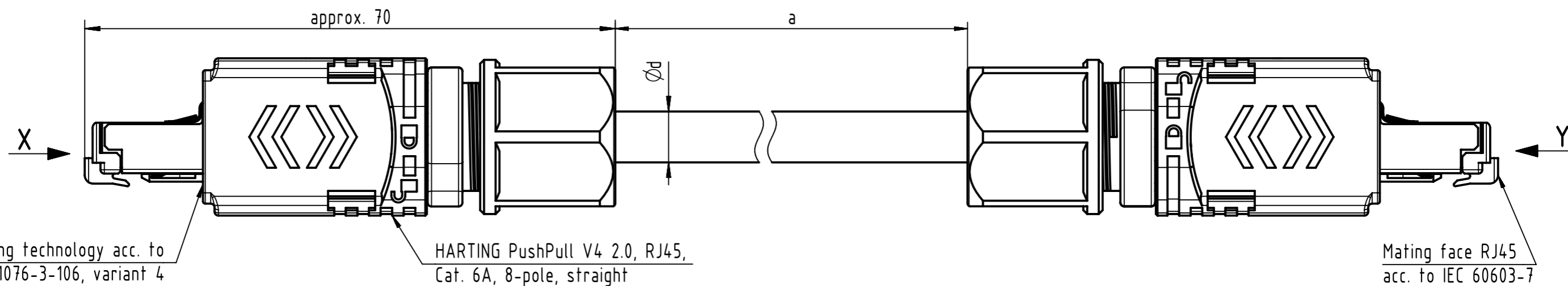


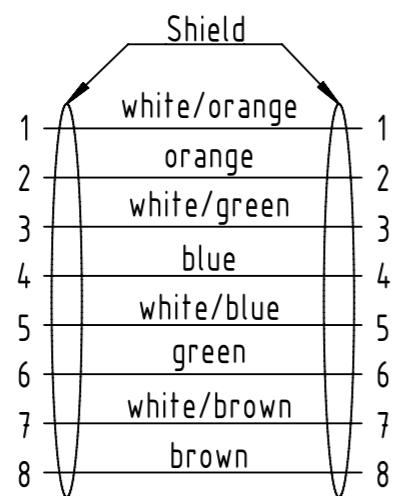
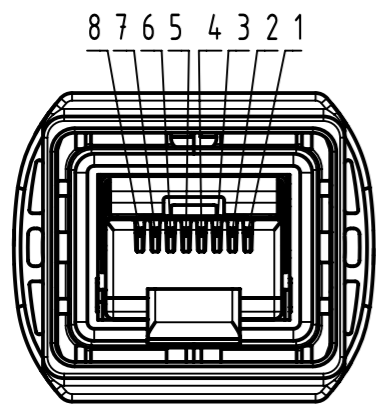
Connector Location A

Connector Location B

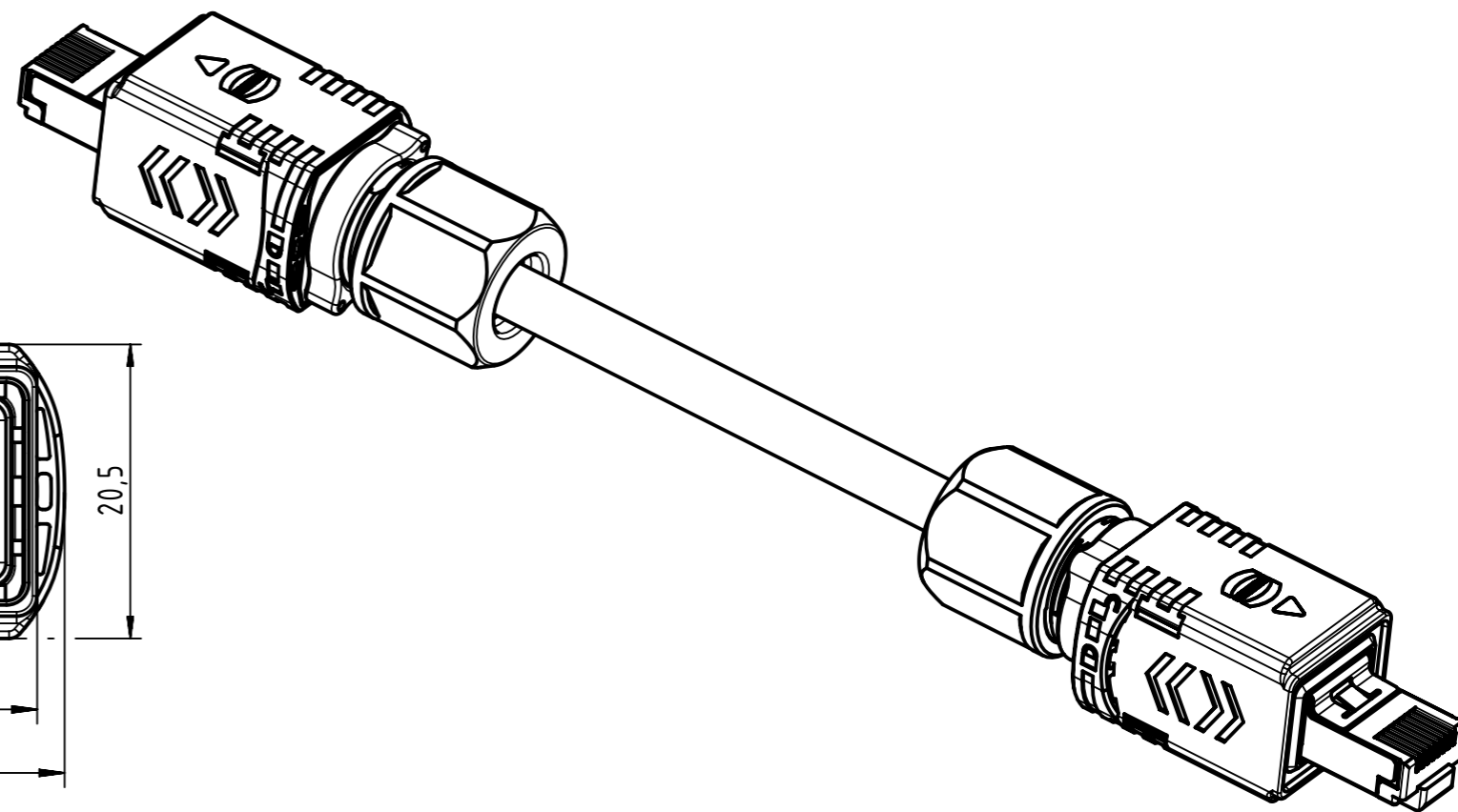
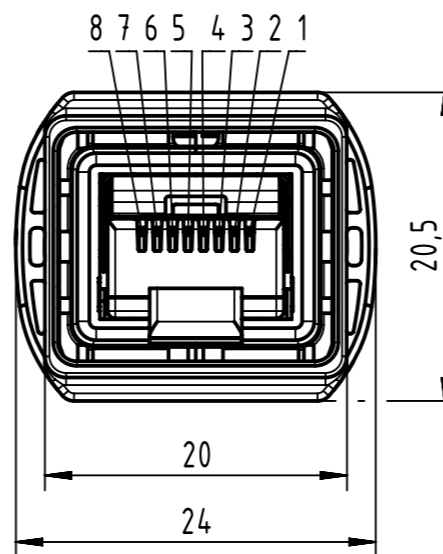


X  
male

Loading Plan  
acc. to TIA/EIA 568B



Y  
male



- Protection level: IP65/67
- Temperature range: see next page

	All rights reserved Department HCS - RO HARTING Customised Solutions D-32339 Espelkamp	All Dimensions in mm	Tech. Character.	Free size tol.	According to production drawing
		Created by 405181 Hadar	Inspected by 402676 Gross	Standardisation COSTEA Costea	Date 2021-11-12
Title <b>HARTING PushPull RJ45 Cable Assembly</b>		Type TB		Number 094574XXXXX	
Doc-Key / ECM-Nr. 100103494/UGD/022/K 500000205994					Rev. K
					Page 1/2

