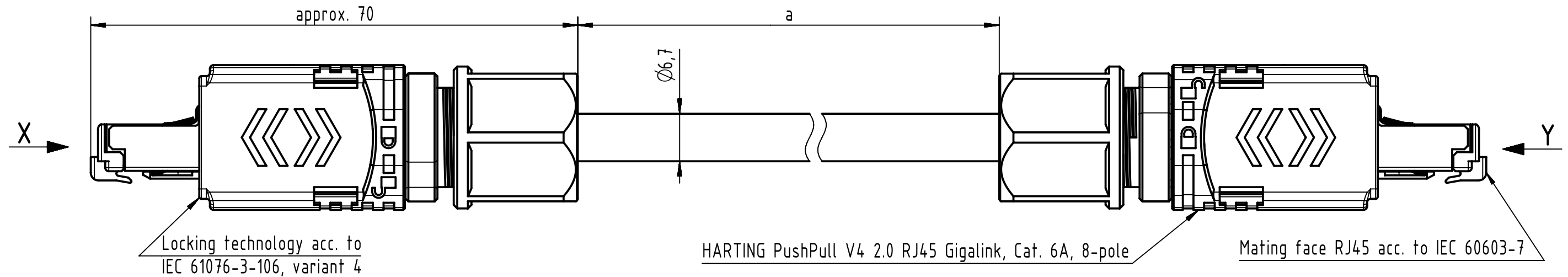


Connector Location A

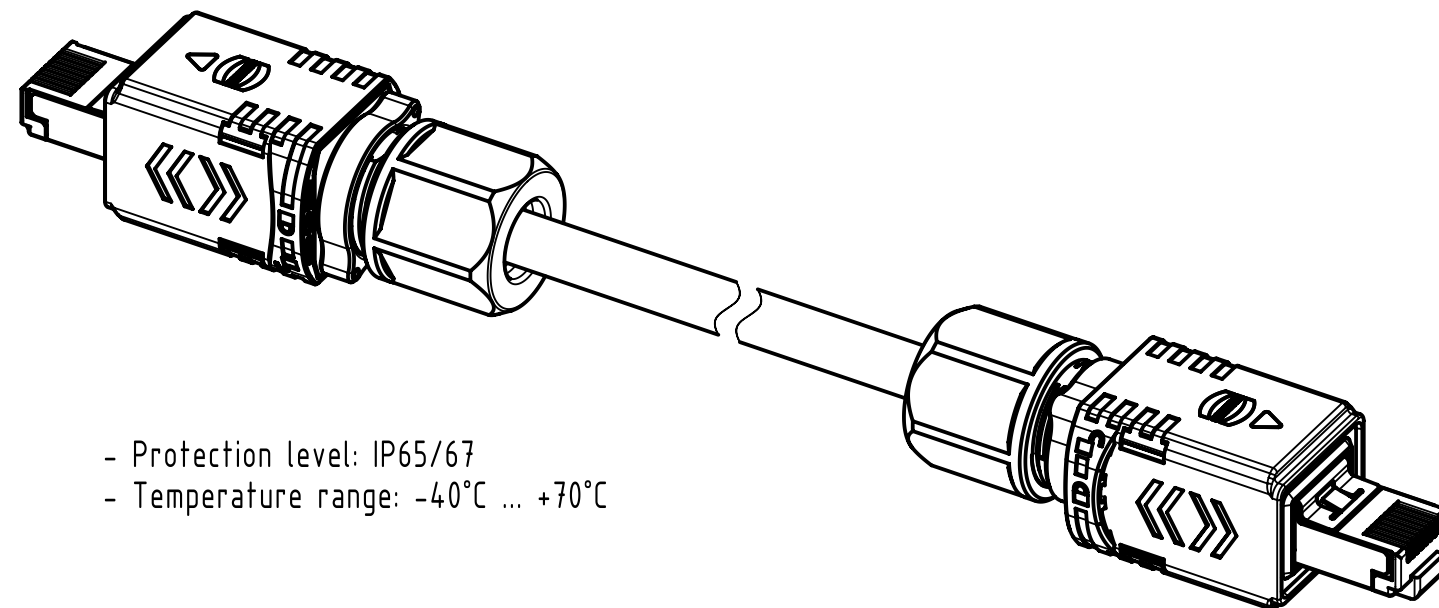
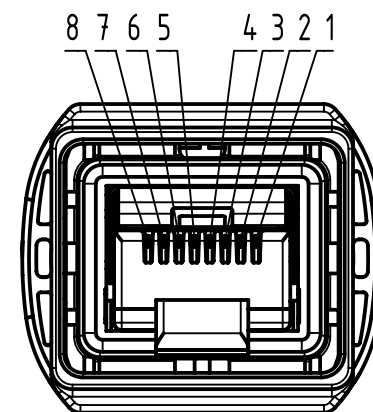
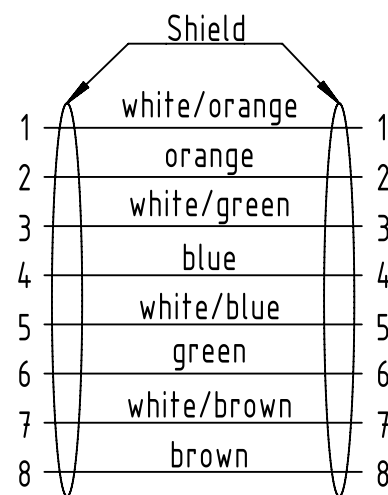
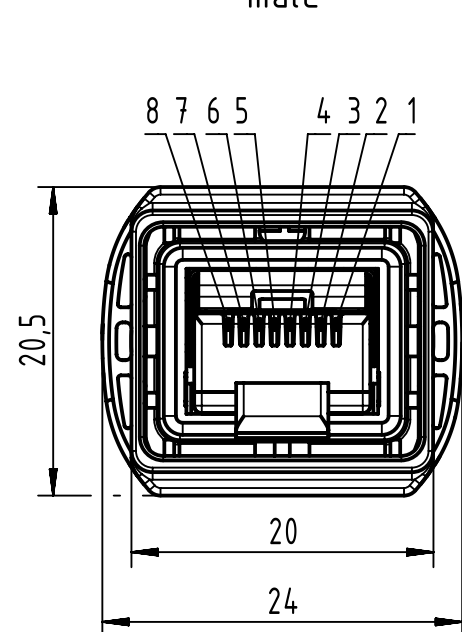
Connector Location B



X
male

Loading Plan
acc. to TIA/EIA 568B

Y
male



- Protection level: IP65/67
- Temperature range: -40°C ... +70°C

18	09457451116		20
17	09457451115		15
16	09457451114		10
15	09457451113		9
14	09457451112		8
13	09457451111		7
12	09457451110		6
11	09457451109		5
10	09457451108		4
9	09457451120		3.5
8	09457451107		3
7	09457451119		2.5
6	09457451106		2
5	09457451105		1.5
4	09457451118		1.2
3	09457451104		1
2	09457451103		0.5
1	09457451117		0.25
Cont. no.	Part no.	Type of cable	Dim. a[m]

RJI Ethernet Stranded Cable
4x2xAWG 26/7, outdoor,
PVC, Cat. 5, black

All Dimensions in mm

Tech. Character.

Free size tol.

According to production drawing

All rights reserved
Department HCS - RO

Created by
STOCHECIC
Stochechi

Inspected by
COSTEA
Costea

Standardisation
MUNTEANV
Muntean

Date
2020-03-23

State
Final Release

Title
RJ Industrial Cable Assembly

Doc-Key / ECM-Nr.
100118217/UGD/006/E
500000168208

HARTING Customised Solutions
D-32339 Espelkamp

Type
TB

Number
094574511XX

Rev.
E

Page
1/1