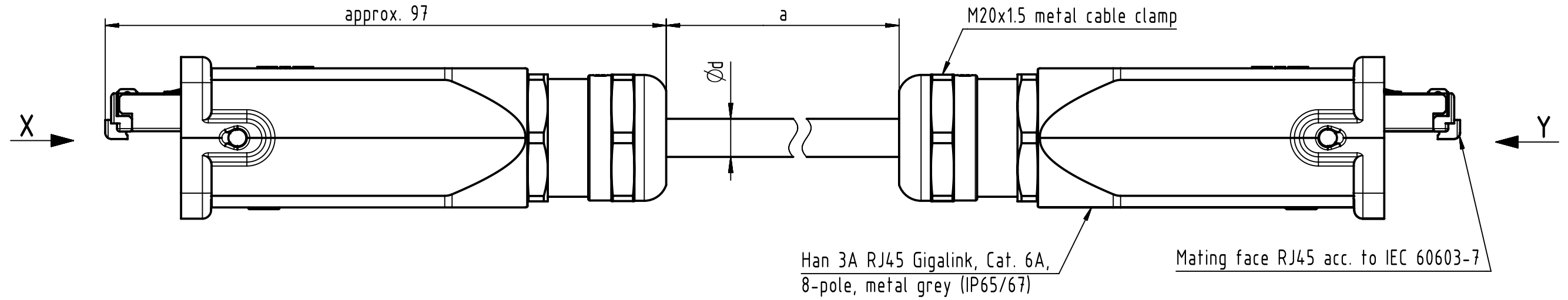


Connector Location A

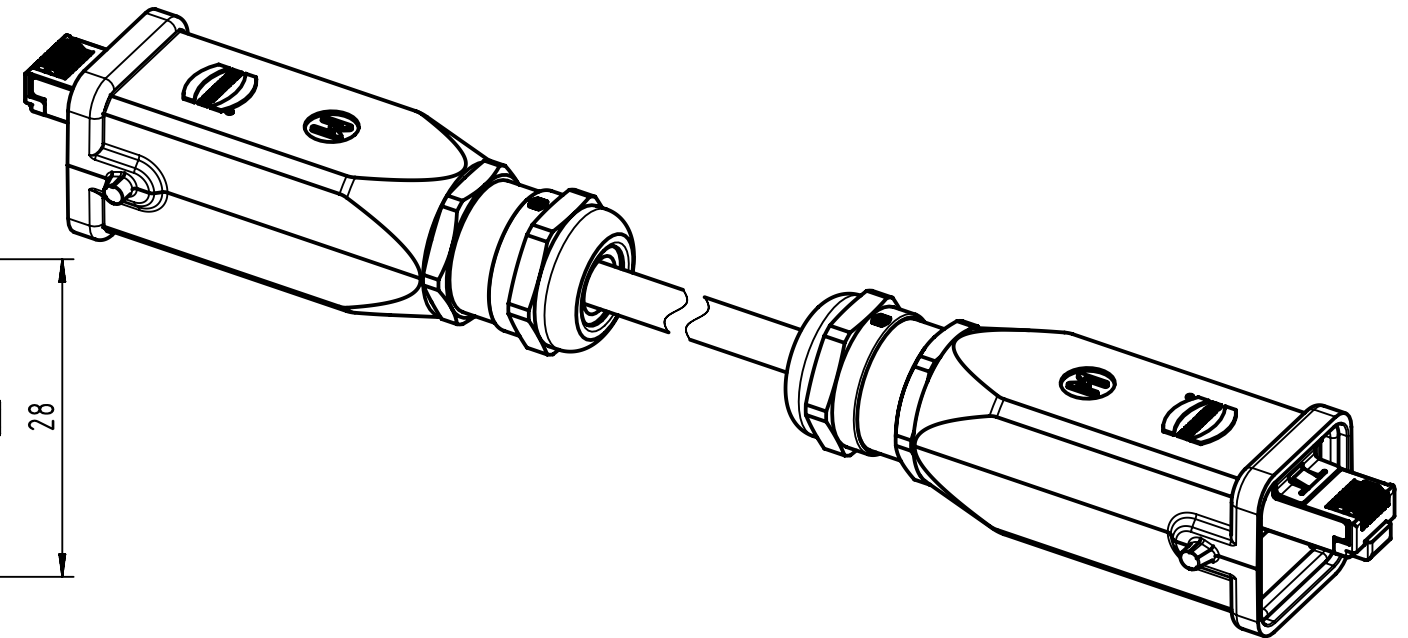
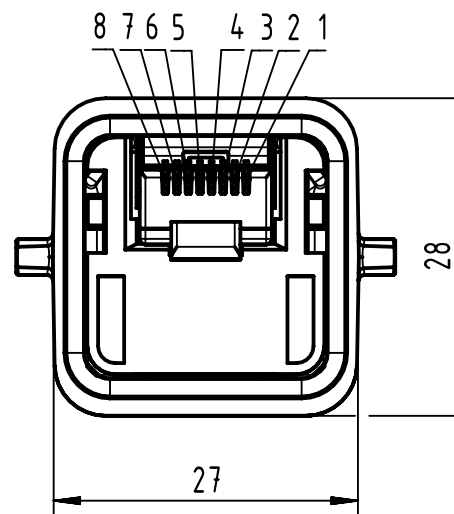
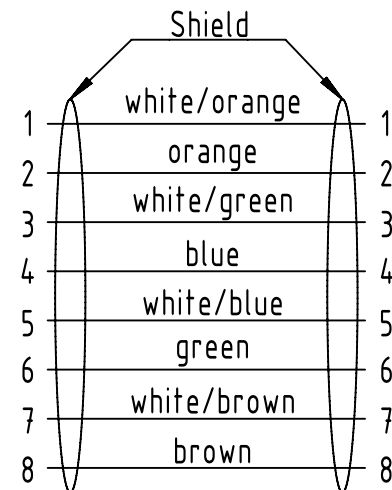
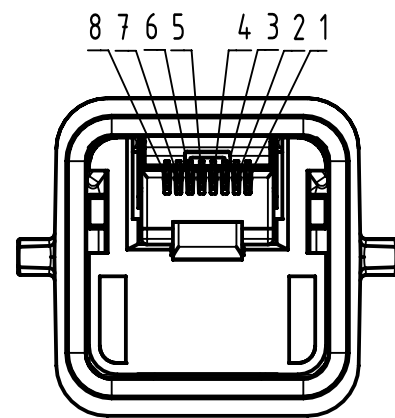
Connector Location B



X
male

Loading Plan
acc. to TIA/EIA 568B

Y
male



- Protection level: IP65/67
- Temperature range: see next page

	All rights reserved	Created by 402676 Gross	Inspected by COSTEA Costea	Standardisation MUNTEANV Muntean	Date 2023-02-02	State Final Release
	Department HCS - RO	Title Han 3A RJ45 Cable Assembly				Doc-Key / ECM-Nr. 100155415/UGD/012/M 500000236146
HARTING Customised Solutions D-32339 Espelkamp		Type TB	Number 094571515XX		Rev. M	Page 1/2

Cont. no.	Part no.	Type of cable	Dim. d [mm]	Temp. range	Dim. a[m]
36	09457151578	HARTING IE Cat.6A 4x2xAWG 26/7 PUR yellow	Ø6.7	- Fixed installation: -40°C ... +70°C - Dynamic installation: -40°C ... +70°C	100 ±1 *
35	09457151577				40±0.4
34	09457151576				30 ±0.3
33	09457151575				25 ±0.25
32	09457151574				20 ±0.2
31	09457151573				15 ±0.15
30	09457151572				10 ±0.1
29	09457151571				9 ±0.09
28	09457151570				8 ±0.08
27	09457151569				7 ±0.07
26	09457151568				6 ±0.06
25	09457151567				5 ±0.05
24	09457151566				4 ±0.04
23	09457151565				3 ±0.03
22	09457151564				2 ±0.02
21	09457151563				1.5 ±0.015
20	09457151562				1 ±0.01
19	09457151561				0.5 ±0.01
18	09457151553				HARTING IE Cat.6A 4x2xAWG 26/7 PVC yellow
17	09457151552	15 ±0.15			
16	09457151551	10 ±0.1			
15	09457151532	30 ±0.3			
14	09457151531	9 ±0.09			
13	09457151530	8 ±0.08			
12	09457151529	7 ±0.07			
11	09457151528	6 ±0.06			
10	09457151527	5 ±0.05			
9	09457151535	4.4 ±0.044			
8	09457151526	4 ±0.04			
7	09457151534	3.4 ±0.034			
6	09457151525	3 ±0.03			
5	09457151533	2.2 ±0.02			
4	09457151524	2 1 ±0.02			
3	09457151523	1.5 ±0.015			
2	09457151522	1 ±0.01			
1	09457151521	0.5 ±0.01			

NOTE:
* Cat.6A 10 Gbit/s Ethernet transmission possible for lengths up to 45m

50	09457151594	HARTING outd. Cat.6A 4x2xAWG 26/7 PVC black	Ø6.6	- Fixed installation: -20°C ... +70°C - Dynamic installation: -20°C ... +70°C	20 ±0.2			
49	09457151593				15 ±0.15			
48	09457151592				10 ±0.1			
47	09457151591				9 ±0.09			
46	09457151590				8 ±0.08			
45	09457151589				7 ±0.07			
44	09457151588				6 ±0.06			
43	09457151587				5 ±0.05			
42	09457151586				4 ±0.04			
41	09457151585				3 ±0.03			
40	09457151584				2 ±0.02			
39	09457151583				1.5 ±0.015			
38	09457151582				1 ±0.01			
37	09457151581				0.5 ±0.01			
Cont. no.	Part no.				Type of cable	Dim. d [mm]	Temp. range	Dim. a[m]

	All rights reserved Department HCS - RO	Created by 402676 Gross	Inspected by COSTEA Costea	Standardisation MUNTEANV Muntean	Date 2023-02-02	State Final Release	According to production drawing
HARTING Customised Solutions D-32339 Espelkamp		Title Han 3A RJ45 Cable Assembly		Doc-Key / ECM-Nr. 100155415/UGD/012/M 50000236146		Rev. M	Page 2/2