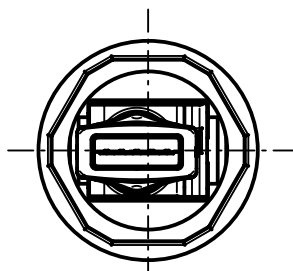
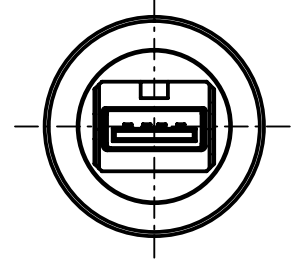
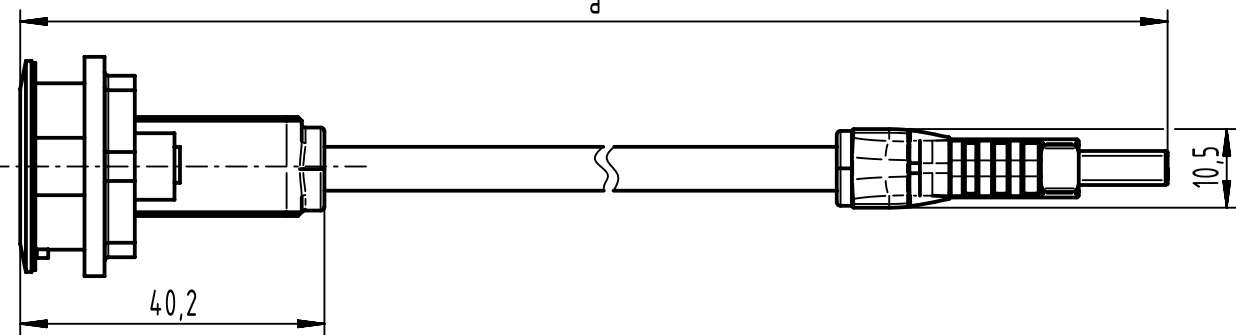


1 2 3 4 5 6

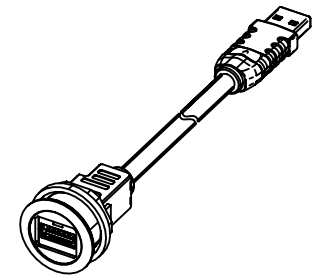
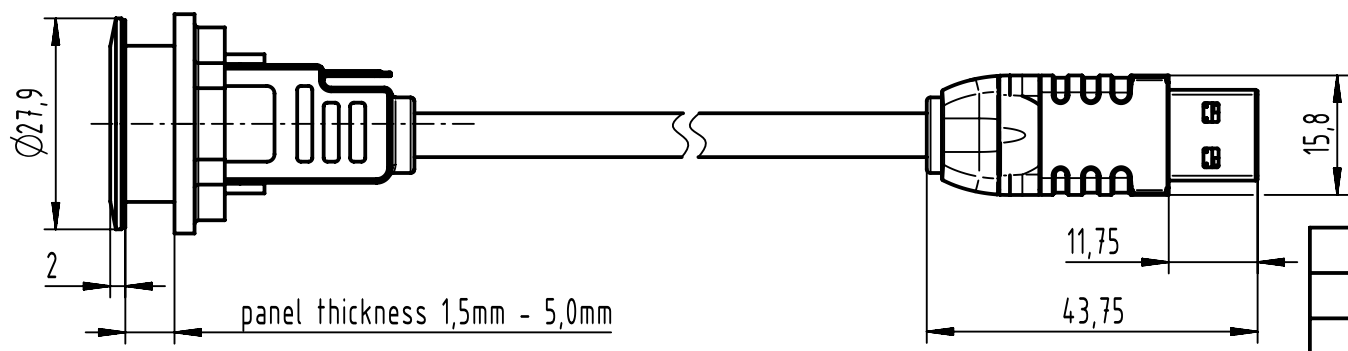
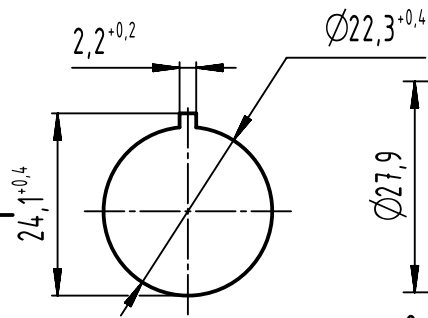
A



PANEL CUT DIMENSIONS

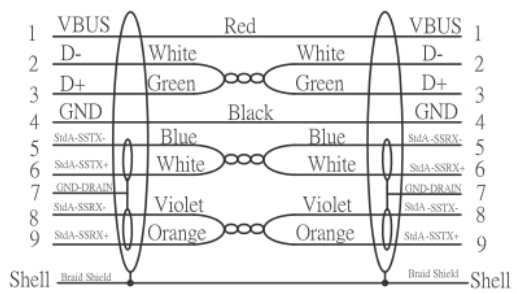


B



C

WIRING DIAGRAM



| | |
|--------------------|--------------|
| 09 45 452 1937 | 0,8 |
| 09 45 452 1934 | 3,0 |
| 09 45 452 1933 | 2,0 |
| 09 45 452 1932 | 1,5 |
| 09 45 452 1931 | 1,0 |
| 09 45 452 1930 | 0,5 |
| Part number | a [m] |

D

| | | | | | |
|------------------------------|---|--|--------------------------|-------------------------------|--|
| | All rights reserved Department EL PD | All Dimensions in mm Original Size DIN A4 | Scale 1:1 | Free size tol. ISO 2768 mH | Ref. Sub. |
| | | Created by PREOTU | Inspected by PRIESTER | Standardisation ROEBEN | Date 2021-09-27 |
| HARTING D-32339 Espelkamp | | Title har-port USB 3.0 A-A PFT silver cable | | | Doc-Key / ECM-Nr. 100629372/UGD/000/D 500000203181 |
| | | Type TB | Number 0945452193X | | Rev. D Page 1/1 |