


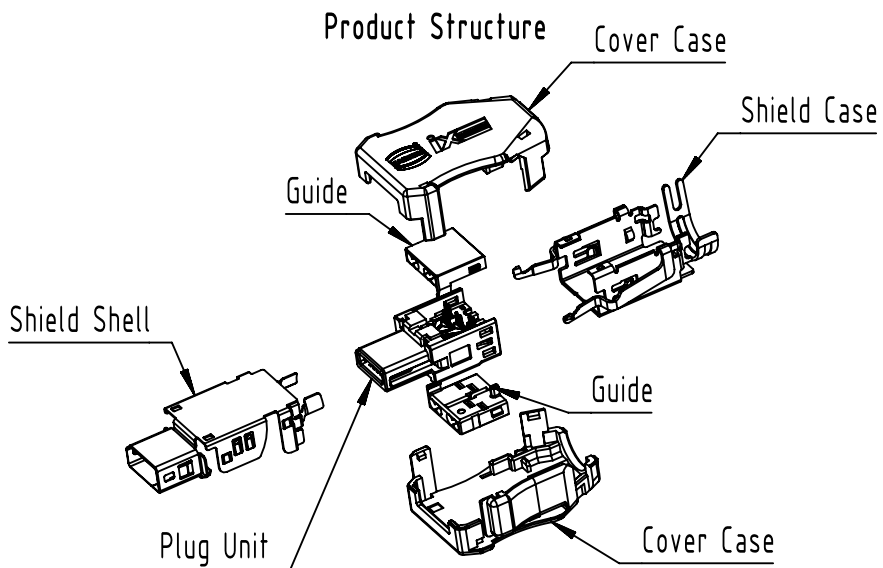
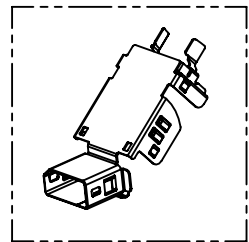
Applicable cable

Items	Applicable condition
Conductor size	AWG 22
Insulation O.D.	Ø1.4 to 1.6 mm
Braid Shield	Tin plating
Sheath O.D.	Ø5.5mm - Ø7.2mm

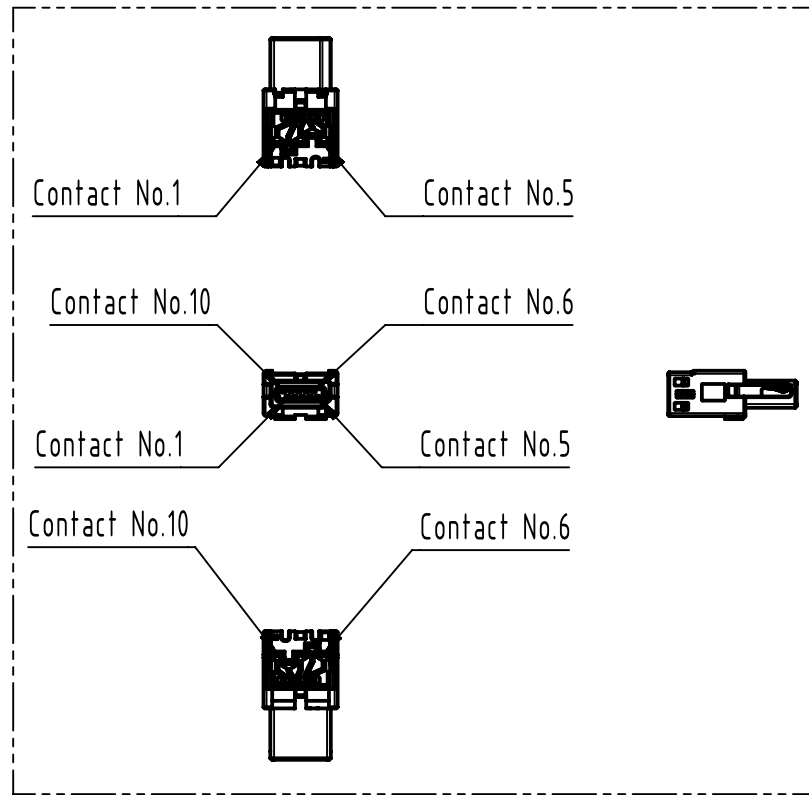
Contact material: copper alloy
 Contact area: Gold 0.2µm min.
 Wiring area: Gold 0.03µm min.
 Under plating: Nickel 2µm min.

	All rights reserved Department EL PD	All Dimensions in mm Original Size DIN A4		Scale 2:1	Free size tol.	Ref. Sub.
		Created by SERBANA	Inspected by PREOTU	Standardisation ROEBEN	Date 2022-05-06	State Final Release
HARTING D-32339 Espelkamp		Title ix Industrial 10B-1 plug SL-I22			Doc-Key / ECM-Nr. 100979137/UGD/000/B 500000215569	
		Type TB	Number 09451819003		Rev. B	Page 1/2

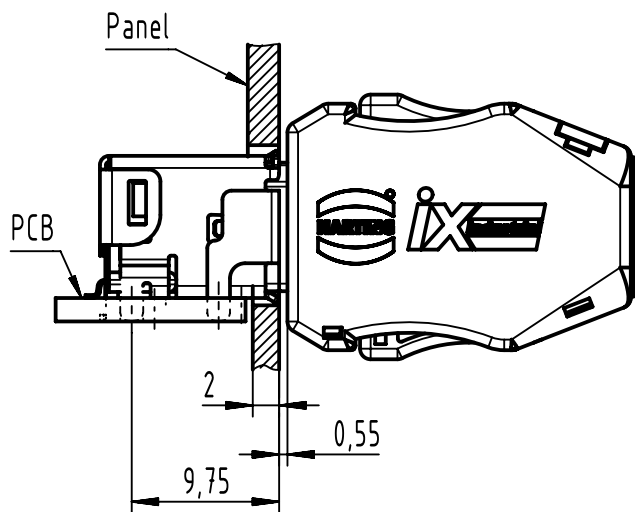
Shield Shell delivery form



Plug Unit



Mating condition (2:1)



	All rights reserved Department EL PD	All Dimensions in mm Original Size DIN A4		Scale 1:1	Free size tol.	Ref. Sub.
		Created by SERBANA	Inspected by PREOTU	Standardisation ROEBEN	Date 2022-05-06	State Final Release
HARTING D-32339 Espelkamp		Title ix Industrial 10B-1 plug SL-I22			Doc-Key / ECM-Nr. 100979137/UGD/000/B 500000215569	
		Type TB	Number 09451819003		Rev. B	Page 2/2