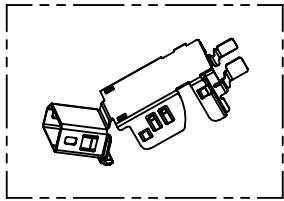


Applicable cable	
Items	Applicable condition
Conductor size	AWG 28-26
Insulation O.D.	Ø0.95 to 1.05 mm
Braid Shield	Tin plating
Sheath O.D.	Ø5.5mm - Ø7.2mm

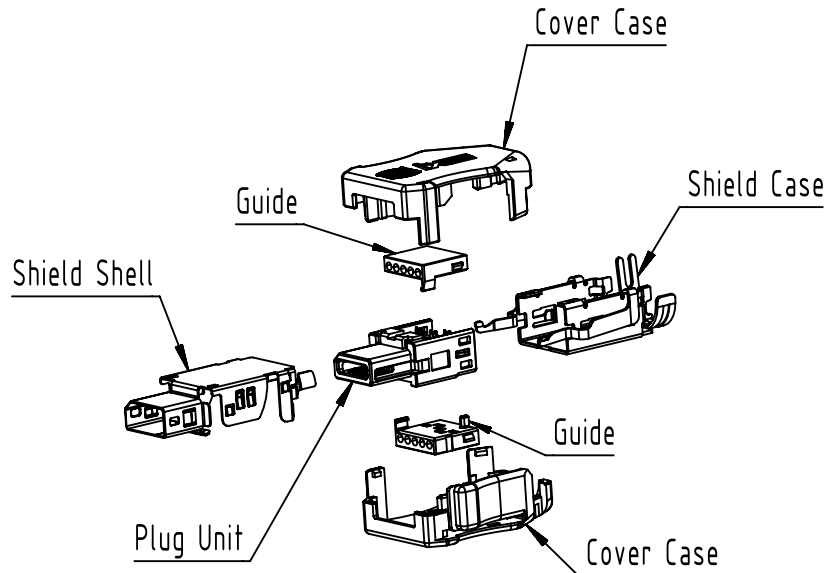
Contact material: copper alloy
 Contact area: Gold 0.2µm min.
 Wiring area: Gold 0.03µm min.
 Under plating: Nickel 2µm min.

	All Dimensions in mm Original Size DIN A4	Scale 2:1	Free size tol.	Ref.
	All rights reserved Department EL PD	Created by SERBANA	Inspected by PREOTU	Standardisation ROEBEN
HARTING D-32339 Espelkamp	Title ix Industrial 10B-1 plug SL-I26	Date 2022-05-06	State Final Release	Doc-Key / ECM-Nr. 100747810/UGD/000/D 500000215569
	Type TB	Number 09451819001	Rev. D	Page 1/2

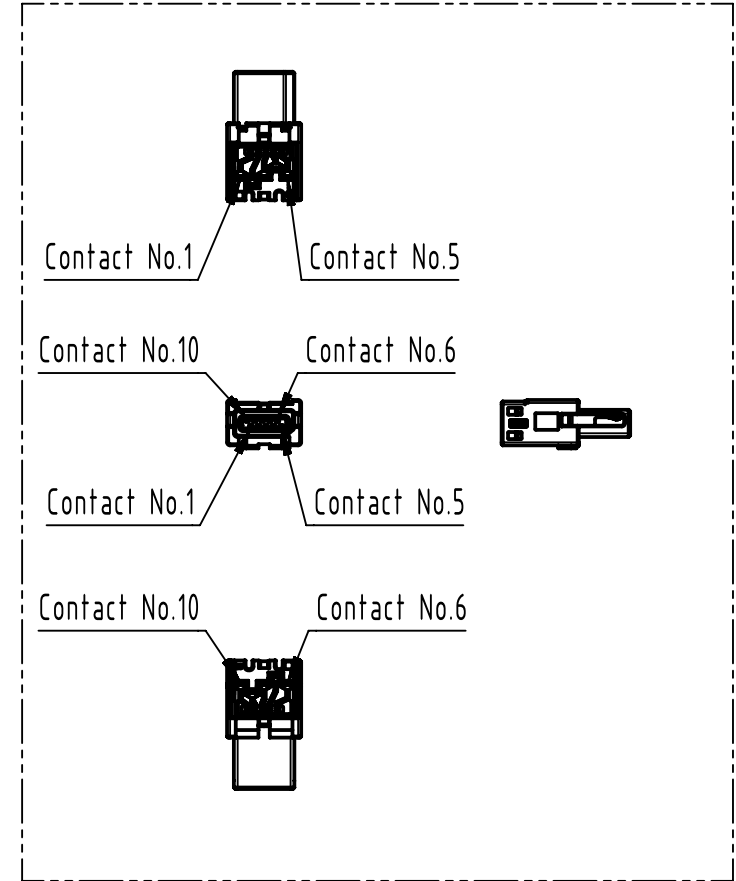
Shield Shell delivery form



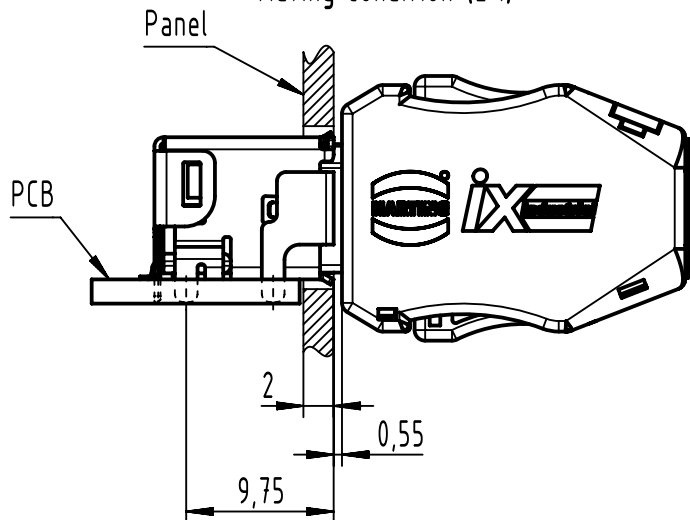
Product Structure



Plug Unit



Mating condition (2:1)



	All Dimensions in mm Original Size DIN A4	Scale 1:1	Free size tol.		Ref.	
	All rights reserved Department EL PD	Created by SERBANA	Inspected by PREOTU	Standardisation ROEBEN	Date 2022-05-06	State Final Release
HARTING D-32339 Espelkamp		Title ix Industrial 10B-1 plug SL-I26			Doc-Key / ECM-Nr. 100747810/UGD/000/D 500000215569	
		Type TB	Number 09451819001		Rev. D	Page 2/2