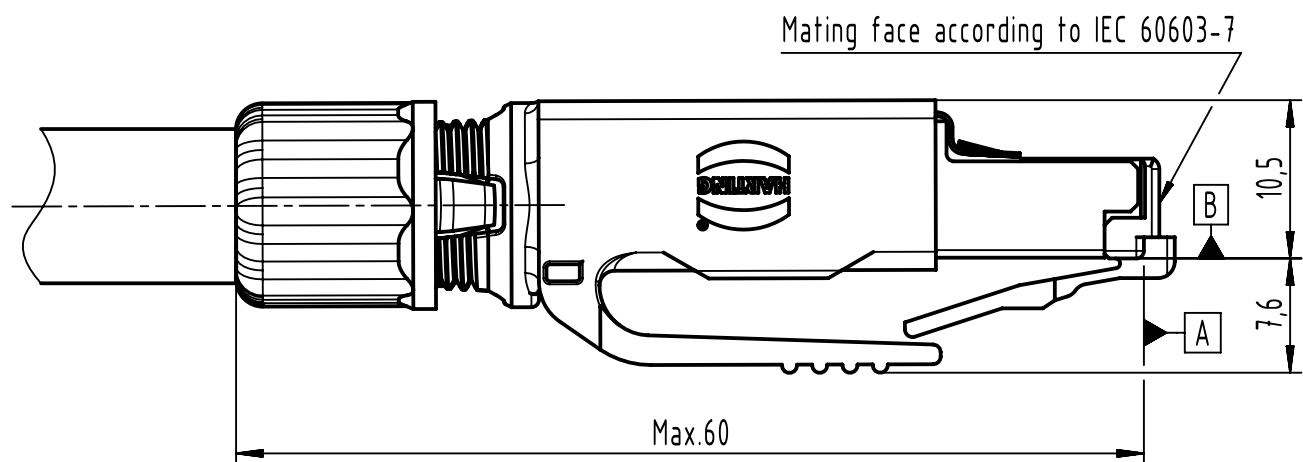
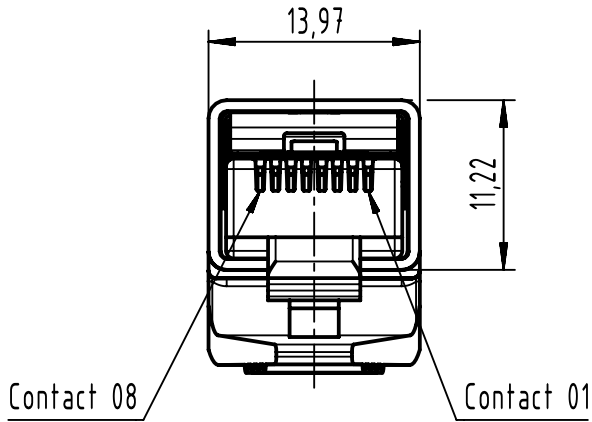


A

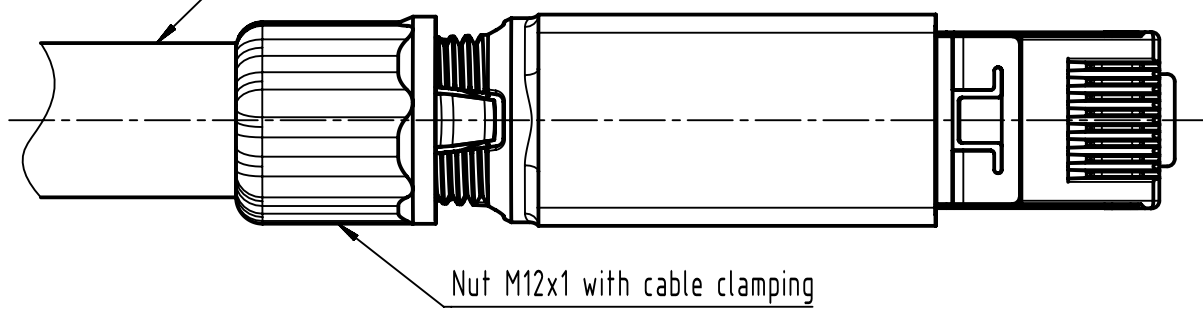
B

C

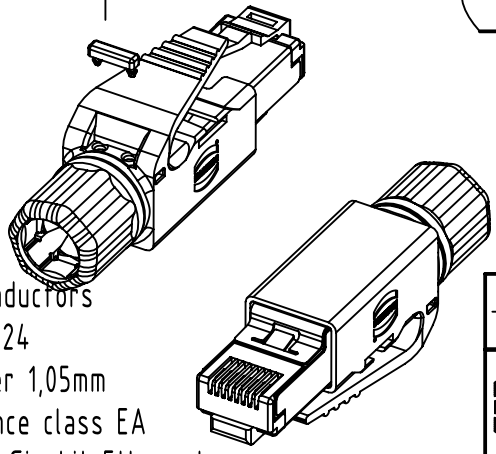
D



Cables $\varnothing 4,5 - \varnothing 9 \text{mm}$



on request: Colour-Clip with RFID slot
TB 094585000xx
Colour-Clip



- For stranded conductors AWG 28 to AWG 24
- Max wire diameter 1,05mm
- Cat.6A performance class EA suitable for 1/10 Gigabit Ethernet
- Temperature range -40°C up to $+70^{\circ}\text{C}$
- 750 mating cycles

| P/N | Qty per packaging |
|------------------|-------------------|
| 09 45 151 1520 | 1 |
| 09 45 151 1520XL | 100 |

| | | | | | |
|--|--|--|------------------------|---------------------------|--|
| All Dimensions in mm Original Size DIN A4 | | Scale 2:1 | Free size tol. | | Ref. |
| All rights reserved Department EL PD | | Created by CELMARE | Inspected by PREOTU | Standardisation ROEBEN | Sub. |
| HARTING D-32339 Espelkamp | | Title RJ45 RJ45 GL plug Cat6A, 8p, IP20 | | | Date 2021-10-06 |
| | | Type TB | | | State Final Release |
| | | Number 09451511520 | | | Doc-Key / ECM-Nr. 100520013/UGD/001/D 500000202869 |
| | | | | | Rev. D |
| | | | | | Page 1/1 |