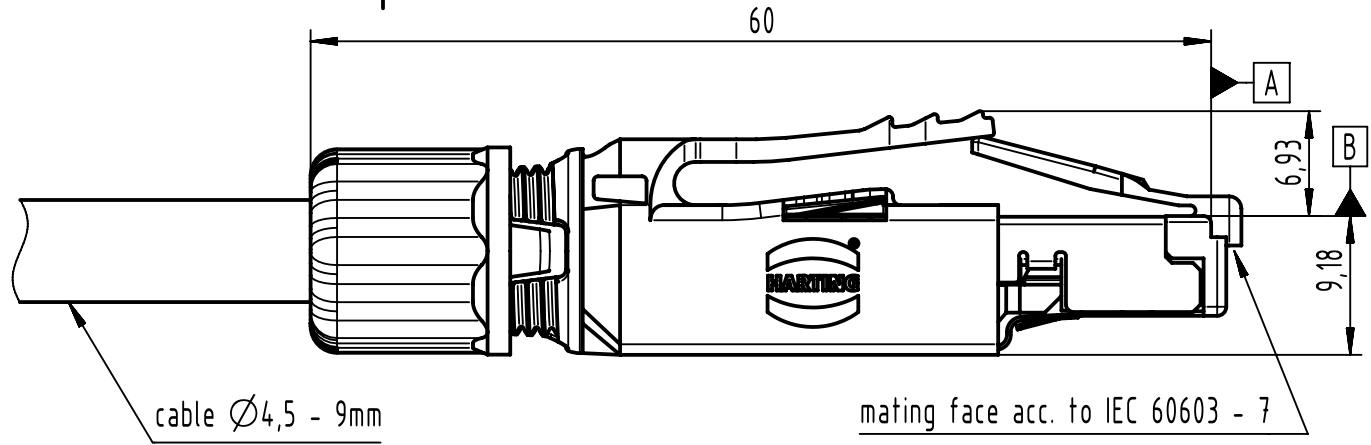
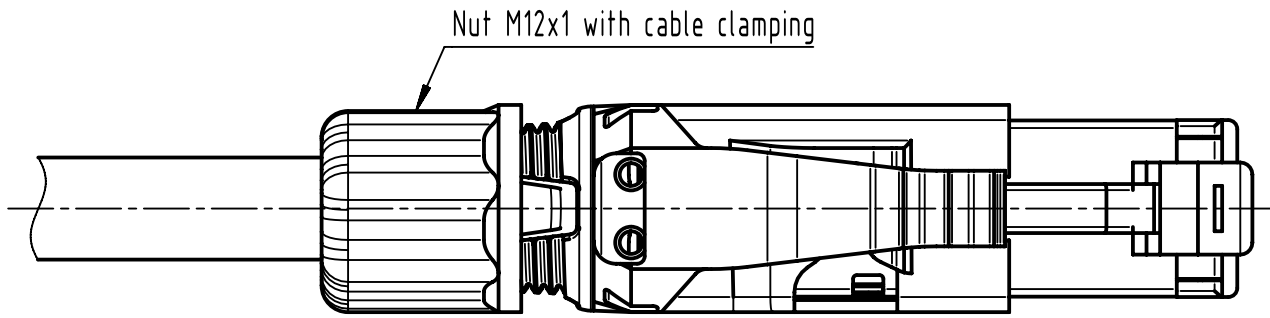


CONTACT No.1, 2, 3 position 1
 CONTACT No. 6 position 8



cable $\varnothing 4,5 - 9\text{mm}$

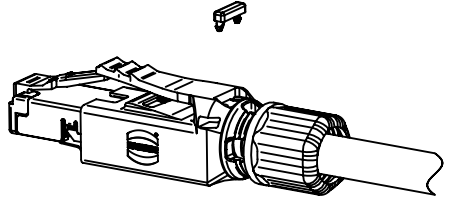
mating face acc. to IEC 60603 - 7



data contact plating: Au 1,27 μm (50pin) over nickel

on request: Colour-Clip with RFID slot
 TB 09 45 850 00xx

Colour - Clip



| | | | | | | | |
|------------------------------|--|--|--|------------------------|---------------------------|--------------------|--|
| | All Dimensions in mm Original Size DIN A4 | | Scale 2:1 | Free size tol. | | Ref. | |
| | | | | | | Sub. | |
| | All rights reserved | | Created by CELMARE | Inspected by PREOTU | Standardisation ROEBEN | Date 2021-11-01 | State Final Release |
| | Department EL PD | | Title HARTING RJ Industrial PN IP20 plug 4-pole | | | | Doc-Key / ECM-Nr. 100214314/UGD/018/B 500000202883 |
| HARTING D-32339 Espelkamp | | | Type TB | Number 09451511120 | | Rev. B | Page 1/1 |