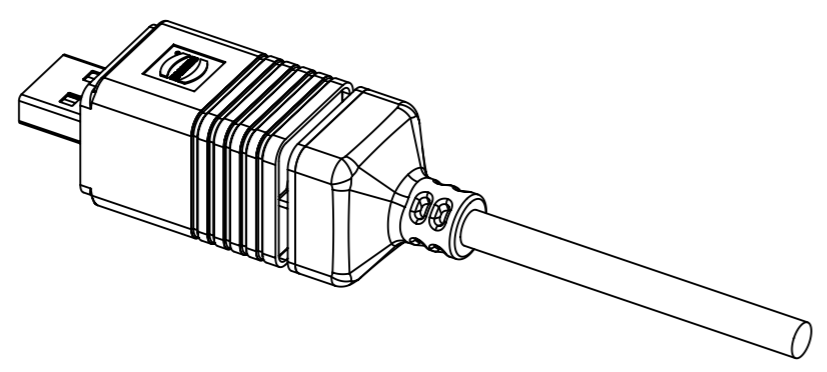


- loading-plan
- USB
- V Bus 1 ——— Red (or Orange)
 - D- 2 ——— White (or Gold)
 - D+ 3 ——— Green
 - GND 4 ——— Black (or Blue)
 - Shell ——— Shielding (GND)



further information see USB specification 2.0
www.usb.org and
 DS 09456230203

| 6 | 09 45 145 1925 | HARTING PushPull USB2.0 Type A, cable shielded, 1 x PushPull USB open end | 5,0 ±0,10 |
|-----|----------------|---|------------------|
| 5 | 09 45 145 1924 | HARTING PushPull USB2.0 Type A, cable shielded, 1 x PushPull USB open end | 3,0 ±0,05 |
| 4 | 09 45 145 1923 | HARTING PushPull USB2.0 Type A, cable shielded, 1 x PushPull USB open end | 2,0 ±0,05 |
| 3 | 09 45 145 1922 | HARTING PushPull USB2.0 Type A, cable shielded, 1 x PushPull USB open end | 1,5 ±0,05 |
| 2 | 09 45 145 1921 | HARTING PushPull USB2.0 Type A, cable shielded, 1 x PushPull USB open end | 1,0 ±0,05 |
| 1 | 09 45 145 1920 | HARTING PushPull USB2.0 Type A, cable shielded, 1 x PushPull USB open end | 0,5 ±0,03 |
| no. | part no. | description | length a [metre] |

| | | | | | |
|--------------------------|---------------------|---|--------------------|------------------------|--|
| | All rights reserved | | Scale 2:1 | Free size tol. | Ref. |
| | Department EL PD | | Created by STORCK | Inspected by ELLERMANN | Standardisation HOFFMANN |
| HARTING Electronics GmbH | | Title HPP V4 USB2.0 typeA cable shielded, PushPull - open end | | | State Final Release |
| D-32339 Espelkamp | | Type TB | Number 0945145192X | | Doc-Key / ECM-Nr. 100206995/UGD/029/B 500000139107 |
| | | | | Rev. B | Page 1/1 |