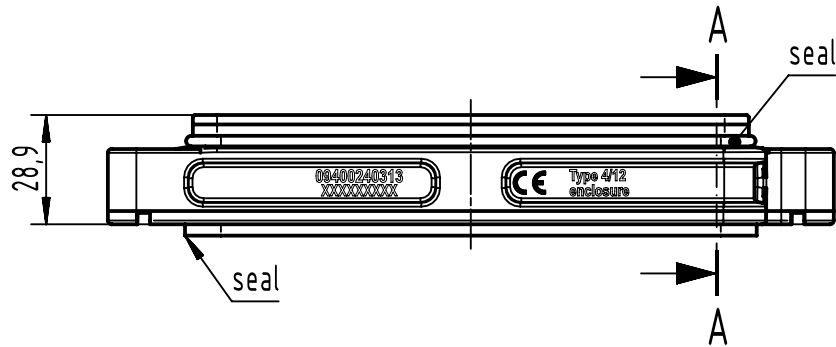
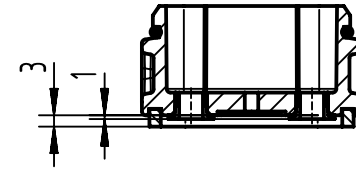


1 2 3 4 5 6

A

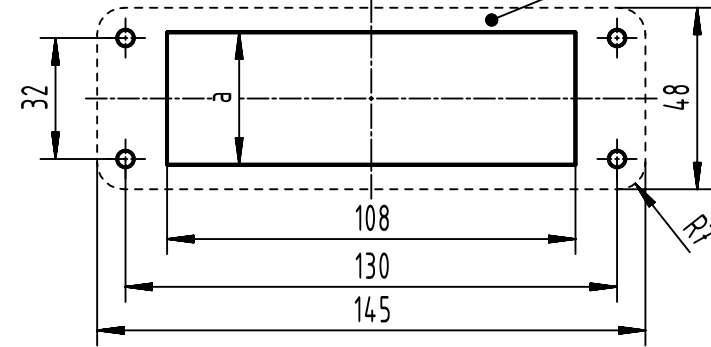
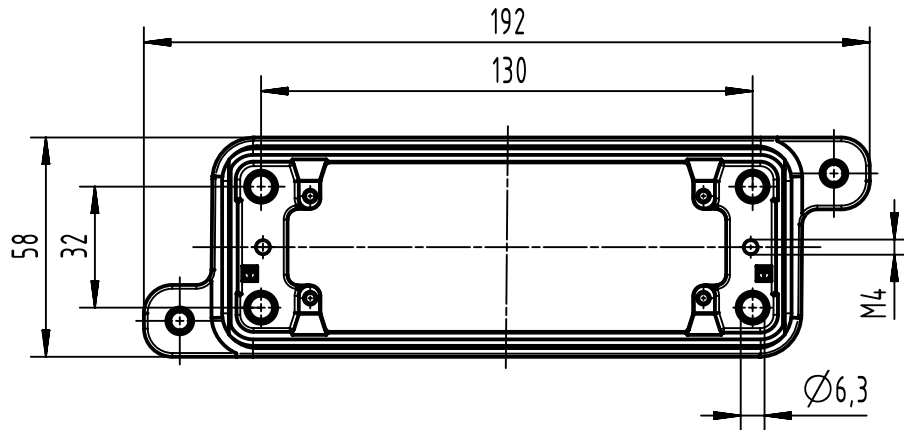


A-A



panel cut out
for EMC features,
conductive surface

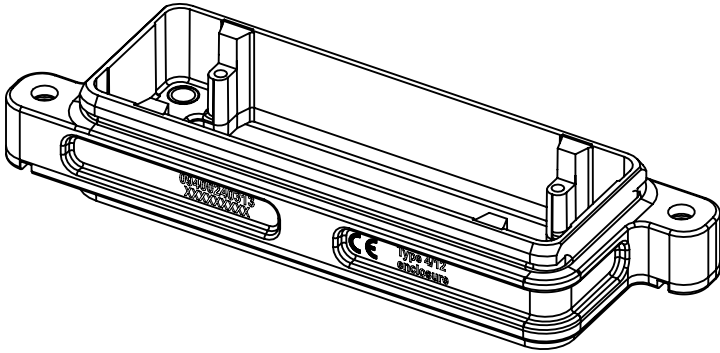
B



C

application	a
standard insert	35
HC-Modular 650	44,5

D



 All Dimensions in mm Original Size DIN A4	Scale 1:2	Free size tol.		Ref.		
	 All rights reserved Department EL PD		Created by SPRENB	Inspected by SUNDERMEIER	Standardisation 302077	Sub.
HARTING Electric GmbH & Co. KG D-32339 Espelkamp		Title Han 24HPR Base Panel Screw lock. seal			Date 2020-11-27	State Final Release
		Type TB	Number 09 40 024 0313		Doc-Key / ECM-Nr. 100217701/UGD/004/F 500000182491	Rev. F
						Page 1/1