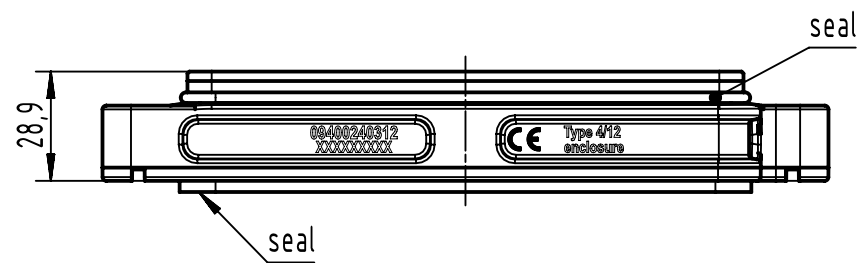
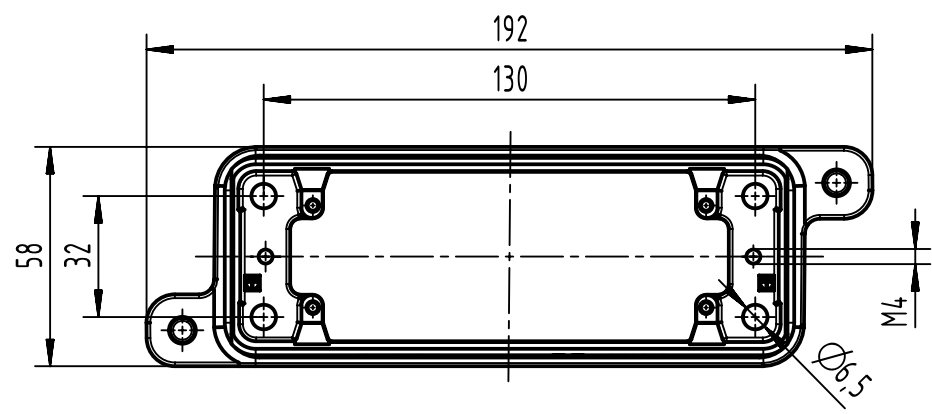


1 2 3 4 5 6

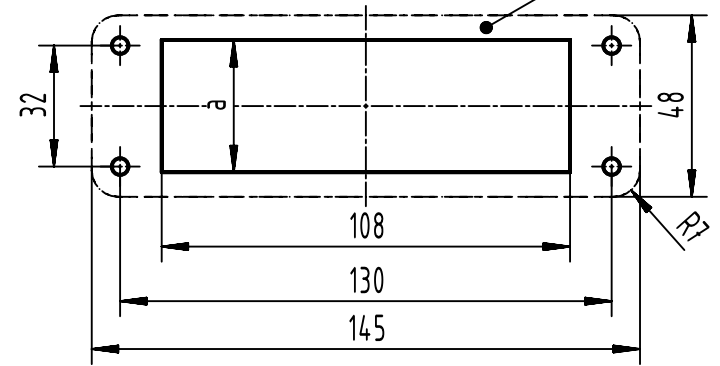
A



B



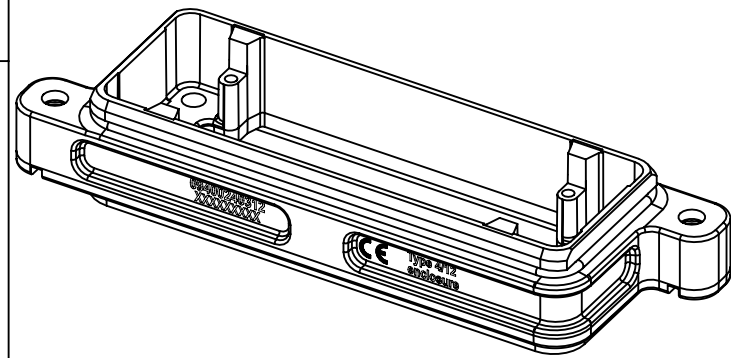
panel cut out for EMC features, conductive surface



C

| | |
|-----------------|------|
| application | a |
| standard insert | 35 |
| HC-Modular 650 | 44,5 |

D



| | | | | | | | | |
|---|--|--|--------------------------|-----------------------------|---------------------------|--------------------|--|--|
| | All Dimensions in mm Original Size DIN A4 | | Scale 1:2 | Free size tol. | | Ref. | | |
| | All rights reserved Department EL PD | | Created by SPRENB | Inspected by SUNDERMEIER | Standardisation 302077 | Date 2020-11-27 | State Final Release | |
| HARTING Electric GmbH & Co. KG D-32339 Espelkamp | | Title Han 24HPR Base Panel Screw lock. seal | | | | | Doc-Key / ECM-Nr. 100217698/UGD/004/F 500000182491 | |
| | | Type TB | Number 09 40 024 0312 | | | Rev. F | Page 1/1 | |