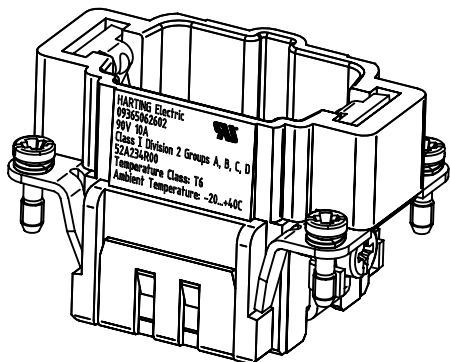
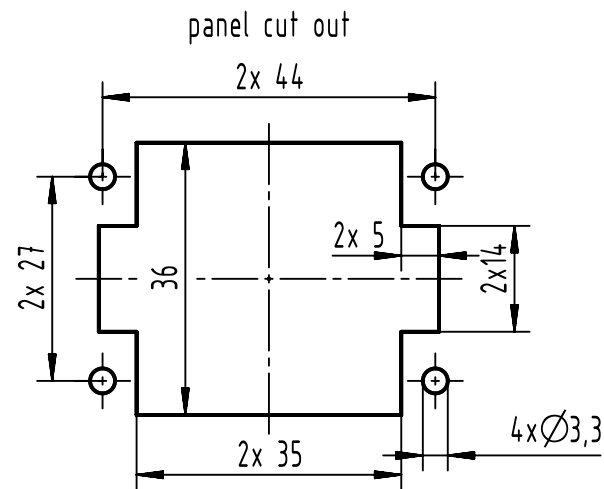


FOR USE WITH HAN 6E CRIMP: AWG 14, 16  
 FOR USE WITH Cable Type:  
 PLTC, PLTC-ER, ITC, ITC-ER, MC, MV, AND TC  
 FOR USE IN CLASS I, DIVISION 2 GROUPS A, B, C AND D  
 HAZARDOUS LOCATIONS OR UNCLASSIFIED LOCATIONS

THE INSTALLATION MUST BE IN ACCORDANCE WITH THE ASSOCIATED LOCATION RESTRICTIONS OF THE NATIONAL ELECTRIC CODE OR CANADIAN ELECTRICAL CODE AS APPLICABLE, INCLUDING ISSUES SUCH AS THE ROUTING, SUPPORT AND LENGTH OF THE INVOLVED CORD OR CABLE.

WARNING  
 EXPLOSION HAZARD  
 DO NOT CONNECT  
 OR DISCONNECT  
 UNDER LOAD!



All Dimensions in mm Original Size DIN A4		Scale 1:1	Free size tol.	Ref. Sub. TB 09 33 006 2602 v. 20.08.01	
All rights reserved Department EL PD	Created by HELLMANN	Inspected by SCHNIEDER	Standardisation	Date 2021-11-16	State Final Release
	Title Han 6Ex UL-M-c				Doc-Key / ECM-Nr. 100669921/UGD/006/C 500000205284
HARTING D-32339 Espelkamp		Type TB	Number 09 36 506 2602		Rev. C Page 1/1