

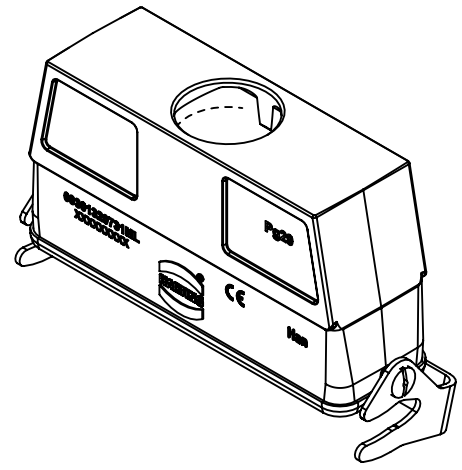
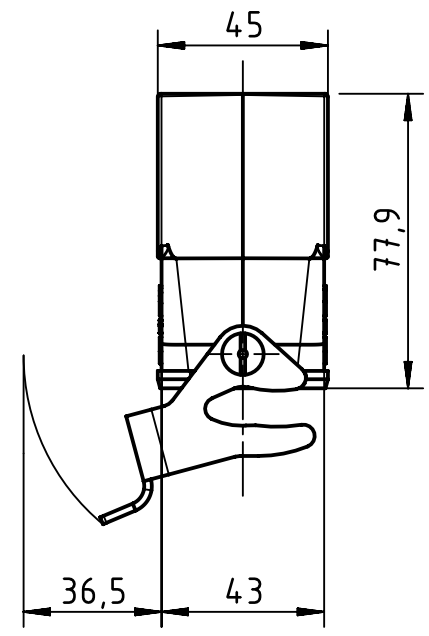
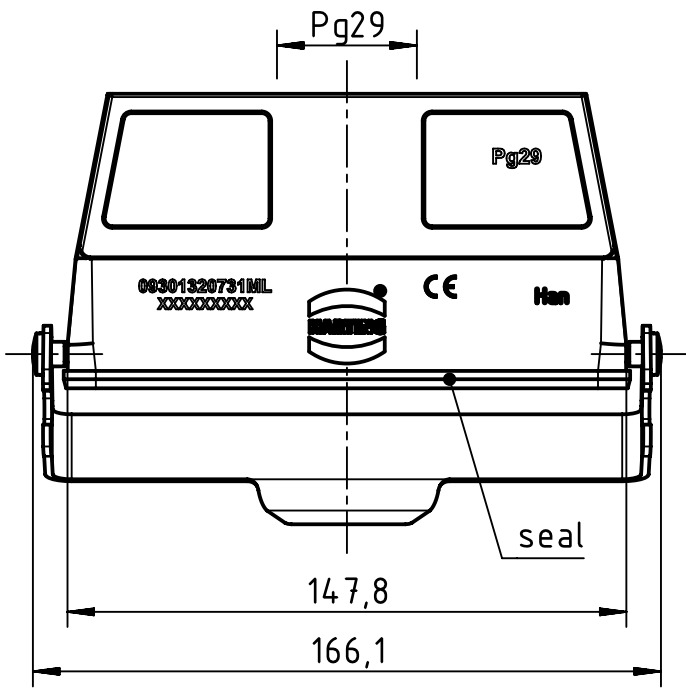
1 2 3 4 5 6

A

B

C

D



	All Dimensions in mm Original Size DIN A4		Scale 1:2	Free size tol.		Ref.		
						Sub.		
	All rights reserved		Created by HUK	Inspected by WANGSTE	Standardisation TIEMANNA	Date 2020-10-13	State Final Release	
	Department EL PD		Title Han L32 B HCC HC SL PG29				Doc-Key / ECM-Nr. 100853980/UGD/001/A 500000179734	
HARTING Electric GmbH & Co. KG D-32339 Espelkamp			Type TB	Number 09 30 132 0731ML			Rev. A	Page 1/1