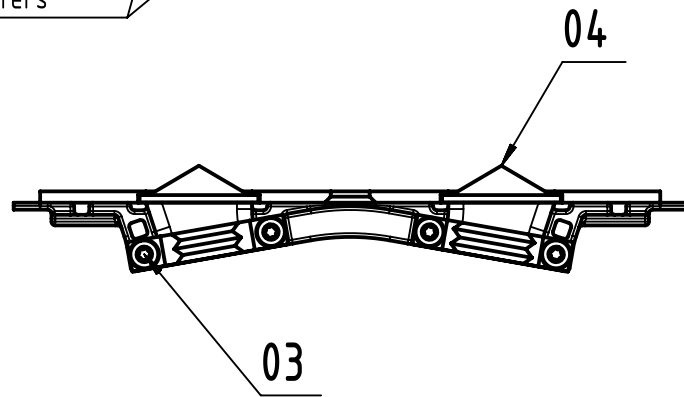



**02**  
rotate for different  
cable diameters



parts not assembled				
content of a round cable insert set:			spare parts:	
pos.	qty	description	part no.	qty
01	1	round cable insert D20		
02	2	cable clamp D20	09 06 000 9992	1
03	4	screw 2,2x8-TX6	09 06 001 9979	1
04	2	blinding piece		

	All Dimensions in mm Original Size DIN A4	Scale	Free size tol.		Ref.
		1:1			Sub.
All rights reserved Department EL PD	HARTING Electronics GmbH D-32339 Espelkamp	Created by	Inspected by	Standardisation	Date
		STORCK	LEHNERT	HOFFMANN	2019-11-06
		State			Final Release
order number for packaging unit		Title DIN Power round cable insert D20			Doc-Key / ECM-Nr. 100104475/UGD/002/C 500000160281
09 06 000 9988	100 sets	Type	Number		Rev.
09 06 000 9988 200	1 set	TB	09060009988		C
					Page
					1/1