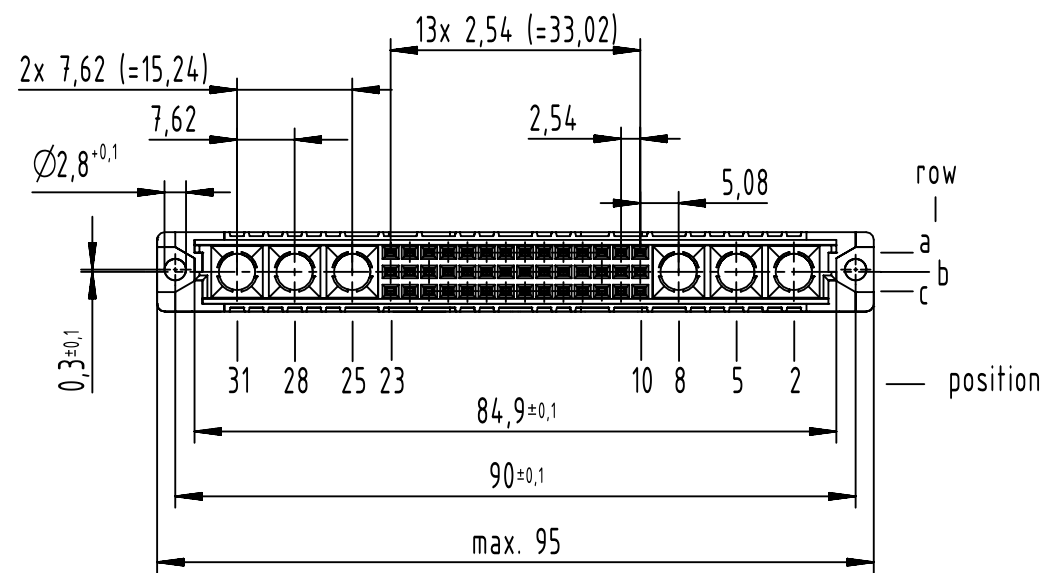
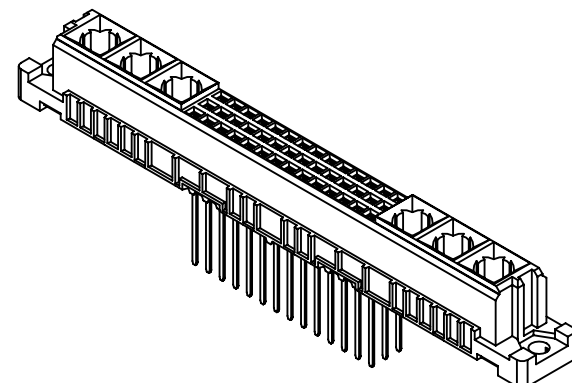
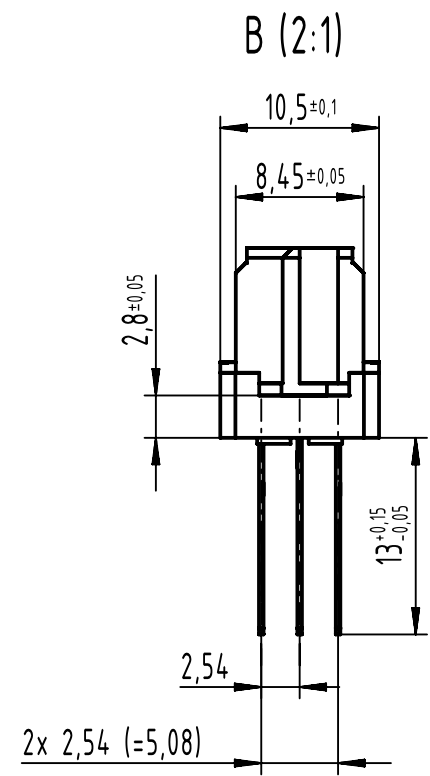
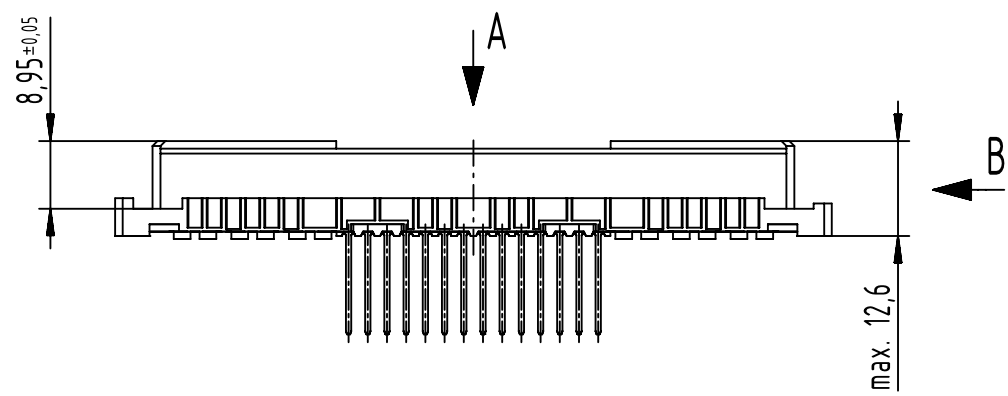


42 solder contacts  
 ☒ = position with contact  
 □ = position without contact



further information see product data sheet

09 03 242 6401	2
part no.	performance level

All rights reserved Department EL PD HARTING D-32339 Espelkamp	All Dimensions in mm Original Size DIN A3	Scale 1:1 Free size tol. IEC 60603-2	Ref. Sub.	Created by STORCK	Inspected by LEHNERT	Standardisation	Date 2021-09-23	State Final Release	Doc-Key / ECM-Nr. 100072218/UGD/093/F 500000202700
	Title <b>DIN Signal type M42+6 female solder 13.0 42-pole</b>								Rev. <b>F</b>
		Type <b>TB</b>	Number <b>0903242X401</b>						