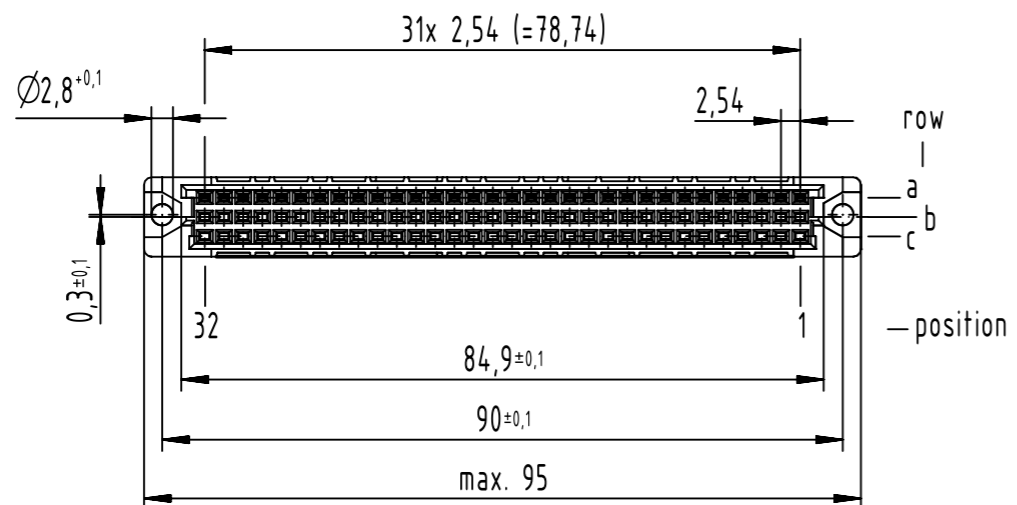
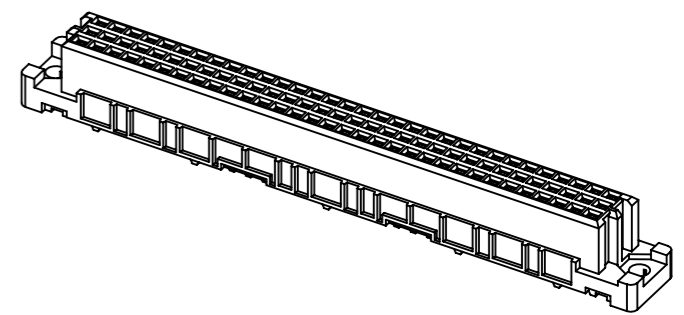
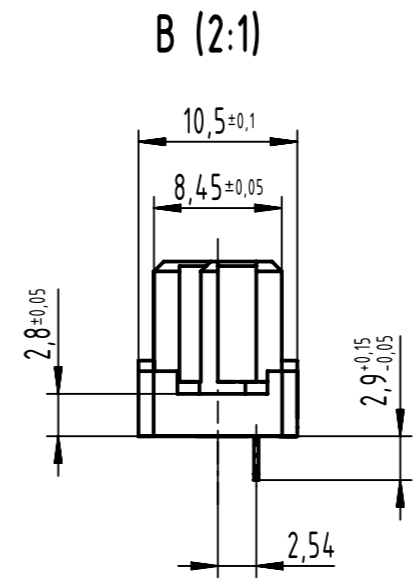
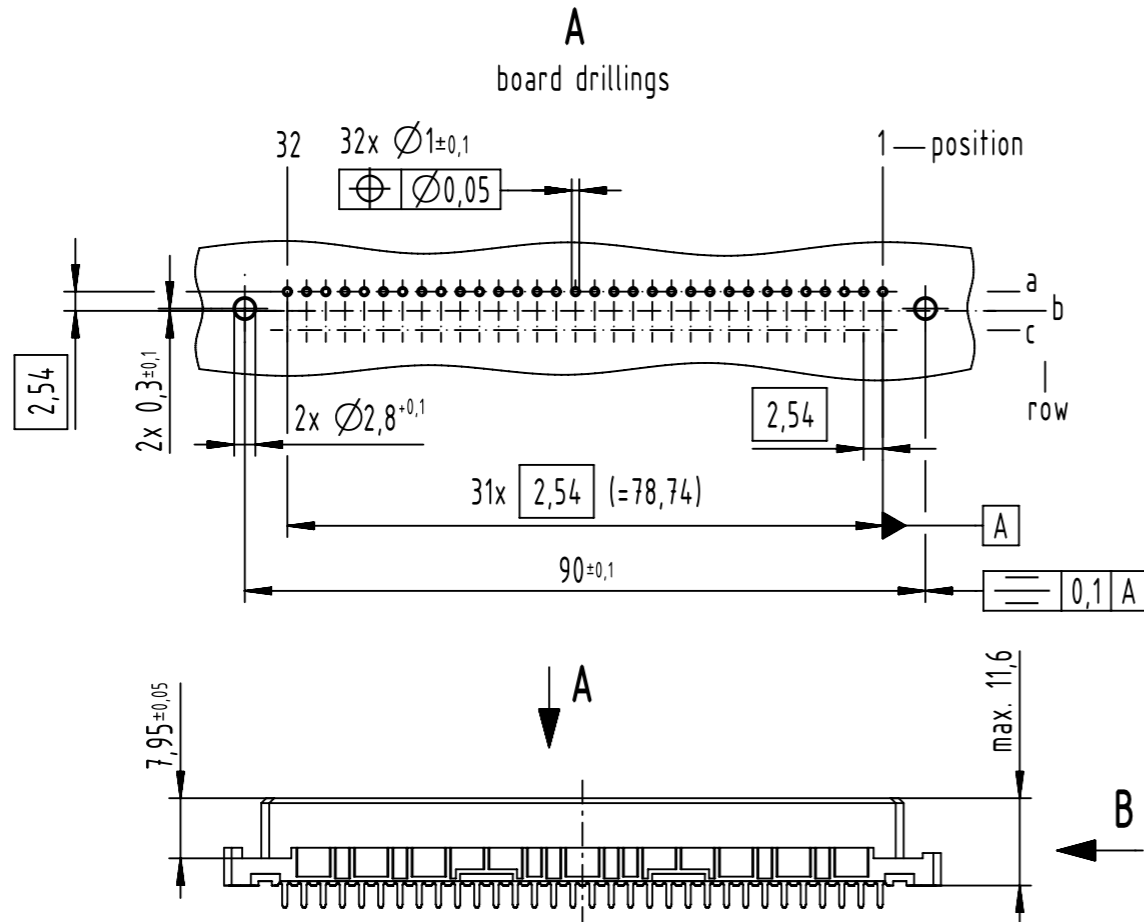


32 solder contacts

⊗ = solder contact

■ = kinked solder-contact

□ = position without contact



further information see product data sheet

09 03 232 7834	3
09 03 232 6834	2
part no.	performance level

	All Dimensions in mm Original Size DIN A3	Scale 1:1	Free size tol. IEC 60603-2	Ref.	
	All rights reserved Department EL PD	Created by STORCK	Inspected by LEHNERT	Standardisation 302077	Date 2021-03-12
HARTING D-32339 Espelkamp	Title DIN Signal type C female solder 2.9 32-pole			Doc-Key / ECM-Nr. 100173852/UGD/031/C 500000190255	
	Type TB	Number 0903232X834	Rev. C	Page 1/1	