

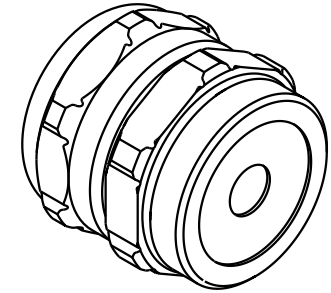
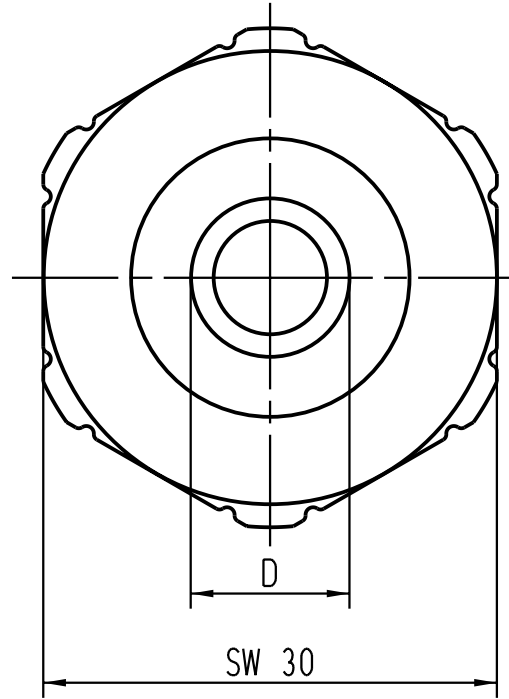
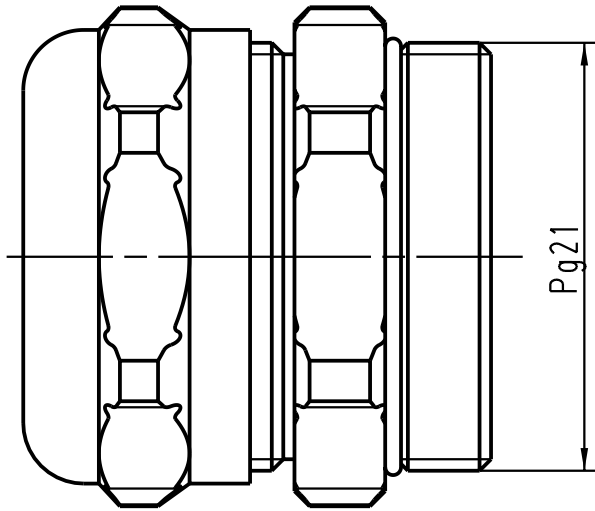
5


4

3


2

1



| | | | | | | | | |
|---------------------|----------------|--------|--------|---|-------------------|------|---|---|
| 09 00 000 5093 | blou blue | 14 | 18 |  All Dimensions in mm Original Size DIN A 4 | Techn. Character. | | | Nicht tolerierte Masse/ Free size tolerances |
| 09 00 000 5092 | weiss white | 11,5 | 15,5 | | | | | |
| 09 00 000 5091 | rot red | 9 | 13 | | | | 2:1 UNI Dichtverschraubung / universal cable protection | |
| 09 00 000 5090 | grün green | 7 | 10,5 | 410278 | 01.12.02 | DY | | |
| Bestell Nr/ Part No | Farbe/colour | D min. | D max. | Mod. | Dat. | Name | HARTING Electric GmbH & Co. KG D-32339 Espelkamp | TB 09 00 000 509. Sub. TB 09 00 000 509. v. 03.02.93 |

| | | | |
|---------|----------|------|-----------------------|
| | Dat. | Name | Massstab/Scale 2:1 |
| Detail. | 17.12.98 | KR | |
| Insp. | | SDT | |
| Stand. | | | |

| | | |
|--|--|----------------------|
| HARTING  | | Blatt/ page 1 / 3 |
|--|--|----------------------|